

## User Manual

### 3 Axis Ultrasonic Anemometers

**1590-PK-020/W** (WindMaster) with Firmware 2329-701 and higher

**1561-PK-020/W** (WindMaster Pro) with Firmware 2329-701 and higher

**1590-PK-130/W** (WindMaster RA) with Firmware 2329-701 and higher

Document Number: 1561-PS-0001 Issue 17



**WindMaster**



**WindMaster RA**



**WindMaster Pro**

Gill Instruments Limited  
Saltmarsh Park, 67 Gosport Street, Lymington,  
Hampshire, SO41 9EG, UK  
Tel: +44 1590 613500, Fax: +44 1590 613555

Email: [anem@gillinstruments.com](mailto:anem@gillinstruments.com) Website: [www.gillinstruments.com](http://www.gillinstruments.com)

## Table of Contents

<b>1. Welcome to the WindMaster user manual</b> .....	<b>4</b>
1.1. About this manual .....	4
1.2. Overview of Content.....	4
1.3. Description of Icons .....	4
1.4. User Manual Revision History .....	5
<b>2. Principle of Operation</b> .....	<b>6</b>
<b>3. Pre-Installation</b> .....	<b>11</b>
3.1. Equipment Supplied .....	11
3.2. Software .....	11
3.3. Ordering Options .....	11
3.4. Accessories .....	12
3.5. Packing.....	12
3.6. Installation Requirements .....	12
<b>4. Installation</b> .....	<b>13</b>
4.1. Installation Guidelines .....	13
4.2. Bench System Test.....	14
4.3. Cable Type .....	14
4.4. Cable Length .....	15
4.5. Grounding (Earthing) .....	15
4.6. Connections .....	15
4.6.2. Connection Details and WindMaster and WindMaster Pro Pipe Mount Box Connection Details (Spared Item 1590-PK-048). .....	17
4.7. Connection to PC using RS232.....	20
4.8. Connection to a PC using RS422.....	21
4.9. Connection to a PC using RS485.....	22
4.10. Mechanical Installation.....	23
<b>5. Message Formats</b> .....	<b>31</b>
5.1. Mode 1 – ASCII, UVW Continuous.....	32
5.2. Mode 2 – ASCII, Polar, Continuous (Default Output Parameters in Red) .....	35
5.3. Mode 3 – ASCII, UVW, Polled .....	36
Polled Mode Notes General .....	37
5.4. Mode 4 – ASCII, Polar, Polled .....	39
5.5. Mode 7 – Binary, Polar, Short.....	39
5.6. Mode 8 – Binary, UVW, Short.....	40
5.7. Mode 9 – Binary, Polar, Long.....	40
5.8. Mode 10 – Binary, UVW, Long.....	41
<b>6. Analogue Inputs</b> .....	<b>42</b>
6.1. Analogue Inputs.....	42
6.2. PRT Input .....	42
6.3. Input Rates.....	43
<b>7. Analogue Outputs</b> .....	<b>43</b>

7.1.	Output Allocations.....	43
7.2.	Output Types .....	43
7.3.	Voltage Outputs.....	43
7.4.	Current Outputs.....	44
7.5.	Scaling (Metres/second only) .....	44
7.6.	Polar wind direction wraparound.....	44
<b>Appendix A - Technical Specification .....</b>		<b>46</b>
<b>Appendix B - Cable Assembly .....</b>		<b>49</b>
<b>Appendix C - WindMaster Default Setup .....</b>		<b>54</b>
<b>Appendix D - Configuring.....</b>		<b>55</b>
<b>Appendix E - Viewing and logging WindMaster Data using Gill WindView Software.....</b>		<b>70</b>
<b>Appendix F - Status (error) Codes.....</b>		<b>74</b>
<b>Appendix G - Maintenance &amp; Fault-Finding .....</b>		<b>75</b>
<b>Appendix H - Tests .....</b>		<b>76</b>
<b>Appendix I - Guarantee .....</b>		<b>81</b>

## 1. Welcome to the WindMaster user manual

### 1.1. About this manual

This manual describes the operation of the WindMaster (1590-PK-020/W + options), WindMaster RA (1590-PK-130/W + options) and WindMaster Pro (1561-PK-020/W + options).

The term 'WindMaster' is used in this manual as a general term for both the WindMaster and the WindMaster Pro; they are robust three axis anemometers, with no moving parts.

The units of wind speed, output rate, and formats are all user selectable.

The WindMaster & WindMaster RA, constructed in aluminium and carbon fibre, can perform measurements in wind speeds up to 50 m/s.

The WindMaster Pro, constructed from marine grade stainless steel 316, can perform measurements in wind speeds up to 65 m/s.

Options include up to four analogue input and four analogue output channels (12 or 14 bit resolution for WindMaster; 14 bit resolution for WindMaster Pro, A PRT input is also available (WindMaster Pro only).

**WIND** software is available free from the Gill website [www.gillinstruments.com](http://www.gillinstruments.com). It is strongly recommended as it provides an easy, user-friendly interface to configure the unit.

**WINDVIEW** software is available free from the Gill website [www.gillinstruments.com](http://www.gillinstruments.com). It provides a means of viewing data and providing a simple data logging function.




### 1.2. Overview of Content

The manual is split into 7 chapters. Each chapter represents an activity in the use of the product. Additional detailed information is contained in the Appendices at the end of the manual.

- Chapter 1 explains how the manual is set out
- Chapter 2 provides a brief overview of the product
- Chapter 3 provides the information needed to Pre-install the product
- Chapter 4 provides the information needed to install the product
- Chapter 5 provides the information needed to use the product
- Chapter 6 provides the information needed to use Analogue Inputs
- Chapter 7 provides the information needed to use Analogue Outputs

### 1.3. Description of Icons

The following icons are used in this manual.

Icon	Description
	A note that is important and that should be observed
	Information or a recommendation to ensure best results
	The start of a set of instructions

## General Notes



Before WindMaster is used for the first time it is essential to read and understand this manual. Please keep the manual safe for future reference.



Care should be taken with WindMaster at all times. The product should be transported to site in the box, and only removed when ready to install.



During installation WindMaster should be supported and care should be taken not to drop the product



Care should be taken when wiring the WindMaster to power and communications.



Maintenance should be limited to the procedures described in this manual. Additional maintenance or cleaning may damage the sensors.



No attempt should be made to open or repair any of the parts of the product. Any attempt to dismantle any part of the product will invalidate the warranty provided by Gill Instruments.

## 1.4. User Manual Revision History

Document Version	Release Date	Key Changes
Iss 17	Nov 2022	New manual template

## 2. Principle of Operation

The WindMaster measures the times taken for an ultrasonic pulse of sound to travel from an upper transducer to the opposite lower transducer and compares it with the time for a pulse to travel from lower to upper transducer.

Likewise, times are compared between each of the other upper and lower transducers.

As Figure 1 shows, the air velocity along the axis between each pair of transducers can then be calculated from the times of flight on each axis.

This calculation is independent of factors such as temperature.

From the three axis velocities, the wind speed is calculated, as either signed U, V, and W, or as Polar and W.

It can be seen from Figure 1 that the speed of sound in air can be calculated from the times of flight. From this the sonic temperature can be derived from the formula  $T_{s1} = C_1^2 / 403$

Where

$T_{s1}$  = Sonic temperature

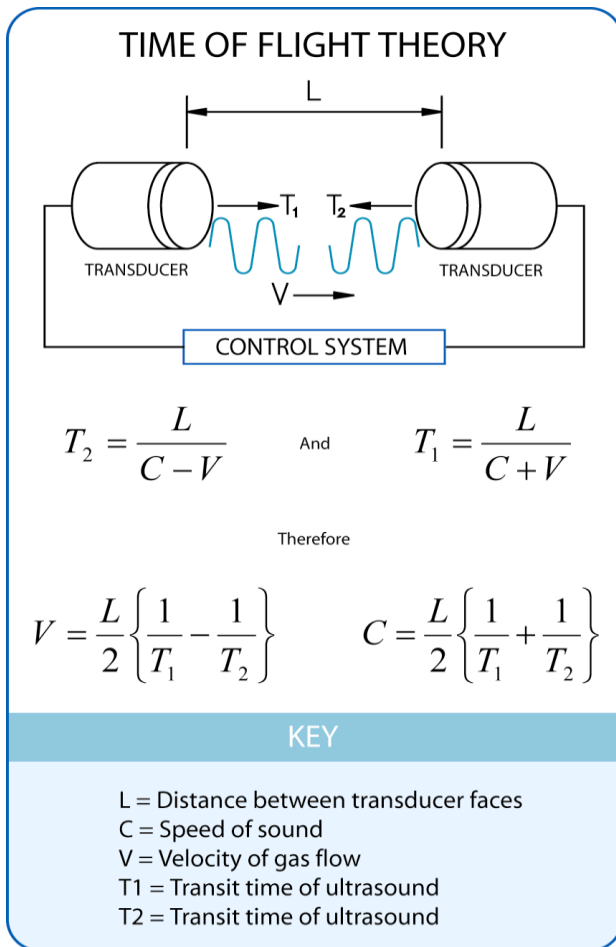
$C_1$  = Speed of sound



**The above formula does not account for the effect of Humidity.**

**Crosswind correction is applied to results.**

Figure 1 Time of Flight details



**Figure 2** shows the direction and polarity of the U, V and W axes.

Polar definition

The wind speed in the UV plane, with direction in degrees from 0 to 359°, with respect to the Reference spar (which is normally aligned to North).

U, V, and W axes definition

+U is defined as towards the direction in line with the north spar as indicated in the diagram.

+V is defined as towards the direction of 90° anti-clockwise from N / the Reference spar.

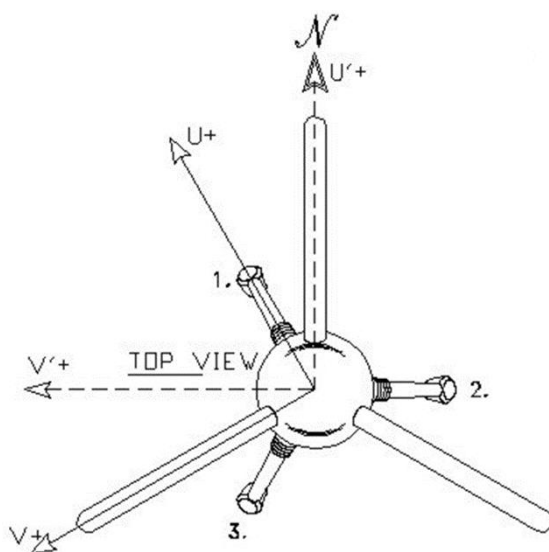
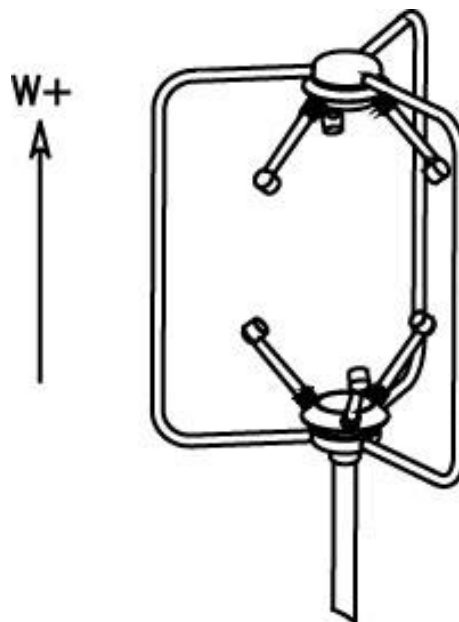
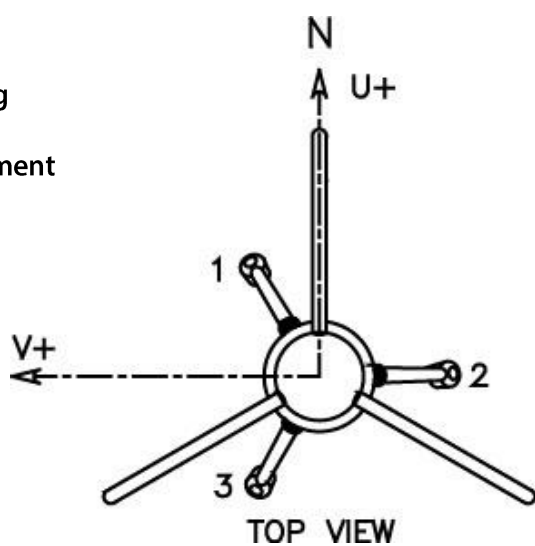
+W is defined as vertically up the mounting shaft.

Note, when the unit is configured for the X2 setting the UV definition rotates 30 degrees anti-clockwise such that U is now in line with transducer axis 1.

Figure 2 U, V and W Axis Definition

X1 Setting

UV Alignment



X2 Setting  
U Alignment to Transducer 1



## Effects of temperature, barometric pressure, rainfall, and humidity

The calculated u, v and w components are independent of temperature, pressure, rainfall & humidity within the operating parameters of the WindMaster.

The calculated sonic temperature/speed of sound should be corrected by the user for humidity to provide an indication of ambient temperature. The calculated Sonic Temperature/Speed of Sound is corrected internally for crosswind.

### Measurement sequence

#### All Modes except Syncpoll 1.

The table shows the firing sequence of the transducers.

Measurement Sequence

The sample rate is automatically selected to either 20Hz or 32Hz, depending on the output rate configured  
See Appendix D (configuring WindMaster using a Terminal Program e.g. Tera Term).

Measurement Period	Max 50mS (at 20Hz) or 31.25mS (at 32Hz)						Next cycle			
Ultrasonic Measurement Axis	1 (2mS typical)		2 (2mS typical)		3 (2mS typical)		Maths Routine (6mS Typical)	Spare Time	1	2
Transducer Firing	L > U	U > L	L > U	U > L	L > U	U > L			L > U	U > L
Analogue Input Measurement	1, 2, 3 and 4 or PRT									
Serial Communication							Data from previous measurement.			

**L > U** Indicates lower to upper transducer firing.

**U > L** Indicates upper to lower transducer firing.

Analogue inputs and PRT are sampled synchronously at rates described in Para 6.3.

## **Syncpoll 1**

In this mode when a Poll command is received it will trigger a single 50mS or 31.25mS ultrasonic measurement as illustrated in the table above and at the same time will trigger a Wind measurement output resultant from the previous polled measurement.



**The minimum poll rate supported in this mode is 20Hz.**

**Analogue inputs are not supported in Syncpoll mode 1.**

### **Signal processing**

#### **Instantaneous Sampling**

The WindMaster can be configured to output the sampled data direct at the selected output rate without any averaging -"Instantaneous sampling". Alternatively, data can be sampled at 20Hz or 32Hz and averaged (see Appendix D, page 68: Fx y and Px). This applies for wind data and speed of sound. All samples are transmitted with a status code.

### **Retries Enabled**

If this mode is selected, if a problem sample is detected, the unit will attempt another ultrasonic firing within the set time parameters.

### **Calibration Enabled /Disabled**

The on-board calibration (providing compensation for spar and transducer shadowing), can be disabled, returning the unit to raw, uncorrected operation

Selection of the above parameters is via using Gill Wind software package or using a Terminal Program to set the FX or Px command.

## 3. Pre-Installation

### 3.1. Equipment Supplied

**WindMaster 1590-PK-020/W, WindMaster RA 1590-PK-130/W or WindMaster Pro 1561-PK-020/W**

Connector assembly comprising 31-way Clipper connector (Gill Modified Special to Type).  
31 female contacts.  
Sealing gland and washer.

Installation kit Four M6 stainless steel nuts, bolts, and shake-proof washers.

### 3.2. Software

**WIND** software available free at [www.gillinstruments.com](http://www.gillinstruments.com), and is strongly recommended as it provides an easy, user-friendly interface to configure the WindMaster range units.

**WINDVIEW** software available free at [www.gillinstruments.com](http://www.gillinstruments.com), and it provides an interface to view and log WindMaster Range data.

### 3.3. Ordering Options



These options must be specified when ordering the WindMaster Range Units.

Option	WindMaster/ WindMaster RA	WindMaster Pro
<b>Improved W Speed and Improved <math>\pm 2^{\circ}\text{C}</math> Sonic Temperature Performance (See Appendix A)</b>	1590-PK-020/W & 1590-PK-130/W	1561-PK-020/W
<b>Four Analogue outputs (See Note 2)</b>	12 or 14 bit (specify on order)	14 bit (specify when ordering)
<b>Four Analogue inputs (See Note 2)</b>	12 or 14 bit (specify on order)	14 bit (specify when ordering)
<b>PRT input (See Note 2)</b>	Not available	Specify when ordering
<b>32Hz (See Note 2)</b>	Specify when ordering	Not Applicable
<b>Wind tunnel calibration, traceable to national standards</b>	Specify when ordering	Specify when ordering

**Note 1**, Units may be returned to Gill Instruments for Wind tunnel calibration.

**Note 2**, Implemented options are identified on the unit label.



### 3.4. Accessories

Item	Part No
Travelling case - Portable protective case (WindMaster only) not for part 1590-PK-130	1210 - 30 - 074
Travelling case - Portable protective case (WindMaster Pro only)	1561 - 00 - 028
31-way Clipper connector (Gill modified Special to Type)	1561 - PK - 050
15m, 9 Pair, twisted pair screened, 22AWG lead - one end free, other end fitted with Clipper pins	1561 - 10 - 018
Pipe Mount Adaptor, 1.5"/48.3mm, mild steel, zinc clear passivated	1561 - PK - 026
Pipe Mount Adaptor (Anodised Aluminium) with Interface box for 1.32"/33.4mm pipe.	1590 - PK - 048

### 3.5. Packing

Whilst the WindMaster Range unit is being moved to its installation site, the unit should be kept in its packaging. All the packaging should be retained for use if the unit has to be returned at any time.

Note that if the WindMaster/Pro is to be regularly moved around, a travelling case is available as an optional extra.

### 3.6. Installation Requirements

#### PC requirement

**WIND** and **WINDVIEW** software will operate with any PC with Windows software up to at least Windows 10 versions.

The PC must be fitted with a suitable interface to match the chosen communication format - RS232, RS422, or RS485 point to point.

## Other equipment

Analogue inputs / outputs must be compatible with the options fitted to the WindMaster /WindMaster RA/WindMaster Pro.  
(See Sections 4 and 5).

## Connection

- The WindMaster/RA/Pro unit is fitted with a 31-way Clipper industrial plastic socket and supplied with a Gill modified 31-way mating plug (shell size 3).
- The cable should be securely fixed with cable clamps or equivalent, so that the cable is not under stress at the plug.
- There are restrictions on the maximum cable lengths for correct operation. See 4.4.
- The cable should be routed up the inside of the mounting tube.
- See 4.3 for cable specification.

## Power supply

- The WindMaster Range requires a DC supply of between 9 – 30 V DC.
- Typical current drain 55 mA @ 12 V (excluding analogue outputs).
- Allow up to a further 80mA maximum if four 4-20mA analogue connections are used.

## 4. Installation

### 4.1. Installation Guidelines

As with any sophisticated electronics, good engineering practice should be followed to ensure correct operation.

- Always check the installation to ensure the WindMaster Range is not affected by other equipment operating locally, which may not conform to current standards, e.g., radio/radar transmitters, boat engines, generators etc.
- Guidelines –
  - Avoid mounting in the plane of any radar scanner – a vertical separation of at least 2m should be achieved.
  - Radio transmitting antennas, the following minimum separations (all round) are suggested.
    - ❖ VHF IMM – 1m
    - ❖ MF/HF – 5m
    - ❖ Satcom – 5m (avoid likely lines of sight)

Use cables recommended by Gill. If cables are cut and re-connected incorrectly (perhaps in a junction box) then EMC performance may be compromised if cable screen integrity is not maintained.

Earth loops should not be created – wire the system in accordance with the installation guidelines.

Ensure the power supply operates to the WindMaster specification at all times.

- Avoid turbulence caused by surrounding structures that will affect the accuracy of the WindMaster such as trees, masts and buildings.
- The World Meteorological Organisation makes the following recommendation:
- The standard exposure of wind instruments over level open terrain is 10m above the ground. Open terrain is defined as an area where the distance between the sensor and any obstruction is at least 10 times the height of the obstruction.
- If the sensor is to be mounted on a mast boom, part way up a tower or mast, then the boom should be at least twice as long as the minimum diameter or diagonal of the tower. The boom should be positioned on the prevailing wind side of the tower.
- If mounted on a pole, then as a guide the distance from an adjacent pole should be 10 times the other pole diameter.

- If mounting on a building, then as a guide the sensor should be mounted at a height of 1.5 times the height of the building.

## 4.2. Bench System Test



Prior to physically mounting the WindMaster Range Unit in its final location, we strongly recommend that a bench system test be carried out to confirm the system is configured correctly, is fully functional and electrically compatible with the selected host system and cabling (preferably utilising the final cable length). The required data format, units, output rate, and other options should also all be configured at this stage.

## 4.3. Cable Type

An RS232 / RS422 compatible cable (as appropriate) should be used, with the number of twisted pairs matching the application.

**Generic description** – Twisted pairs with drain wire, screened with aluminised tape, with an overall PVC sheath. Typical Wire size 7/0.2mm (24 AWG), 22AWG wire may also be used.

**Gill 15m lead** - A nine pair, 22AWG, 15metre lead, with one end free and the other end fitted with Clipper connector pins, is available as an accessory from Gill, see 3.4 Accessories for part number.

The table shows some suitable manufacturers' references; other manufacturers' equivalents can be used.

No. of pairs	Gill ref.	Belden ref.	Batt electronics ref.
9	026 - 02663	8774	91009

The cable allows for the connection of all: -

Power inputs.

Digital data inputs and outputs.

Analogue inputs.

Analogue Outputs.



If PRT input option is selected customer must compromise on the number of enclosed inputs or outputs. If a PRT is connected you must sacrifice two analogue inputs or outputs.

Other example twisted pair screened cable types (24AWG) are: -

No. of pairs	Gill ref.	Belden ref.	Batt electronics ref.
2	-	9729	-
3	026 - 02660	9730	91030
4	026-03156	9728	91199
6	-	9731	91031

## 4.4. Cable Length

The maximum cable length is dependent on the chosen communication format (RS232, RS422 or RS485), the baud rate, and, to a lesser extent, on the cable type and the local electrical 'noise' level.

Communication format	Baud rate	Max. cable length
RS232	9600	6.5 m (20 ft) or if using Cat 5 cable see manufacturers recommendations
RS422/485	9600	1 km (3200 ft)
Analogue outputs - voltage	N/A	6.5 m (20 ft)
Analogue outputs - current	N/A	Resistance dependent (max 300 $\Omega$ )

The above table shows the typical maximum lengths at the given baud rates, using the recommended cable. If any problems of data corruption etc. are experienced, then a slower baud rate should be used. Alternatively, a thicker or higher specification cable can be tried.

## 4.5. Grounding (Earthing)

To ensure correct operation, and for maximum protection against lightning, the anemometer MUST be correctly grounded (earthed) via its mountings. Inadequate grounding will degrade anemometer performance, particularly in the presence of radio frequency interference.

The unit MUST be connected to an appropriate grounding point with a minimum of 6mm<sup>2</sup> copper wire, via the M6 base screws. The primary earth for the anemometer must be provided via the base screws and not via the cable screens.

## 4.6. Connections



- **Do NOT join any of the cores of the cable together.**
- **Any cores not used should be isolated.**
- **Do NOT connect the unit's analogue output 0V or power 0V to the screen or ground / earth.**
- **The integrity of the screen of each pair should be maintained throughout the cable run.**
- **Avoid long grounding loops.**
- **For maximum lightning protection it is essential that the unit be properly grounded via its mounting base.**

## 4.6.1. Base Connector

WindMaster 1590-PK-020/W), WindMaster RA 1590-PK-130/W, WindMaster Pro 1561-PK-020/W).

### 31-Way Base Connector

Function	Remarks	31-way Connector Pin No
TXA (-)	Anemometer Transmit -	1
TXB (+)	Anemometer Transmit +	2
RXB (+)	Anemometer Receive +	5
RXA (-)	Anemometer Receive -	6
Communications Mode	Polarity sets Comms mode Connect to V+ for RS232 Connect to 0v for RS422/RS485	4
Power V+	9 – 30 V	11
Power 0V	Use also for digital comms 0V	12
Analogue Output 1	Option	8
Analogue Output 2	Option	14
Analogue Output 3	Option	9
Analogue Output 4	Option	15
PRT Excitation +	Option	19
PRT Excitation -	Option	20
PRT Sense +	Option	25
PRT Sense -	Option	26
Analogue Input 1	Option	27
Analogue Input 2	Option	28
Analogue Input 3	Option	29
Analogue Input 4	Option	24
Analogue Grounds	Use the most convenient pin	10, 16, 17
Screens	Use the most convenient pin	3, 7, 21, 30, 31
Not Connected		13, 18



## 4.6.2. Connection Details and WindMaster and WindMaster Pro Pipe Mount Box Connection Details (Spared Item 1590-PK-048).



See also the next page.

Part		Pipe Mount Adaptor 1590-PK-048 Spared Item
Connector	Terminal	Connection Name
J1		PRT Excite + (wired connection)
		PRT Excite – (wired connection)
		PRT Sense + (wired connection)
		PRT Sense – (wired connection)
		Screen Ground from WindMaster
		Com (communication) Mode (External Link to determine RS232 or RS422/RS485)
		Power 0V
		Power +V
J2		Anemometer Transmit TXA (-)
		Anemometer Transmit TXB (+)
		Anemometer Receive RXA (-)
		Anemometer Receive RXB (-)
		Analogue Out 4 (wired connection)
		Analogue Out 3 (wired connection)
		Analogue Out 2 (wired connection)
		Analogue Out 1 (wired connection)
J3		Analogue In 1
		Analogue Ground
		Analogue In 2
		Analogue Ground
		Analogue In 3
		Analogue Ground
		Analogue In 4
		Analogue Ground
J4 (Jumper)	Com-CM	Communication mode set by external connection ( <b>Default Setting</b> )
	Com-OV	Set communication mode to RS422/RS485 (Internal Link, external link unnecessary)
	Com-V+	Set communication mode to RS232 (Internal Link, external link unnecessary)
Screen Ground Pillar	Screen	The cable screen from the WindMaster 31-way connector is wired to a Ground Pillar
Screen Ground Pillar	Screen	The cable screen/s from user equipment is wired to this Pillar using M4 screw/washer/terminal fixings supplied in the installation kit

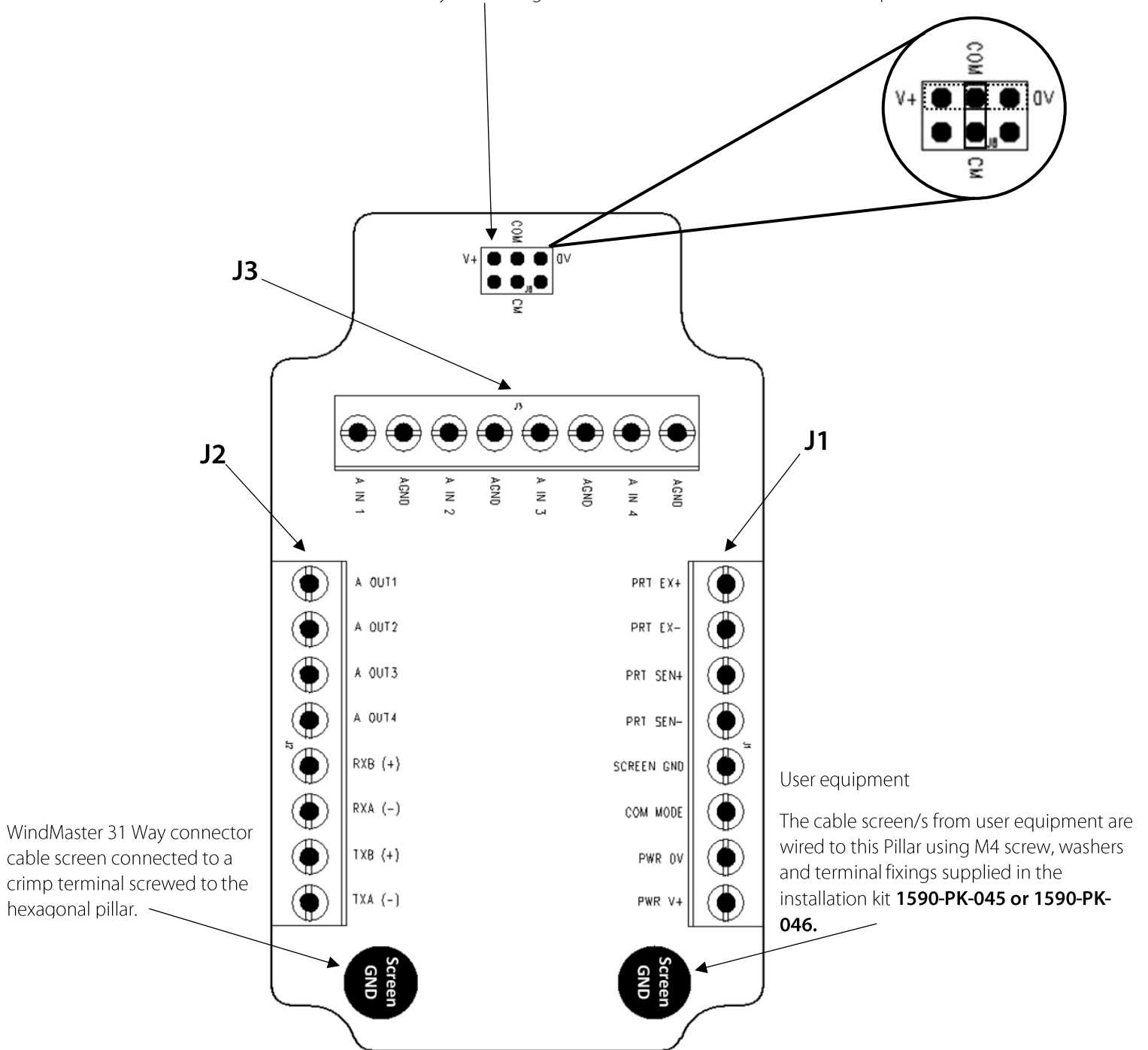
## WindMaster 1590-PK-048 Pipe Mount Box Connection Schematic

J4, Comms Link Positions.

Solid line is default (COM to CM).

Move to COM and V+ for RS232 only if not using an external wire link to set RS232 operation.

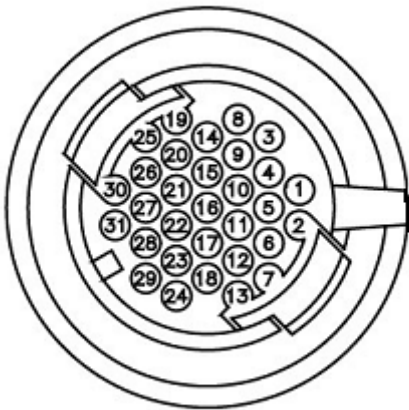
Move to COM and 0V for RS422/RS485 only if not using an external wire link to set RS422/RS485 operation



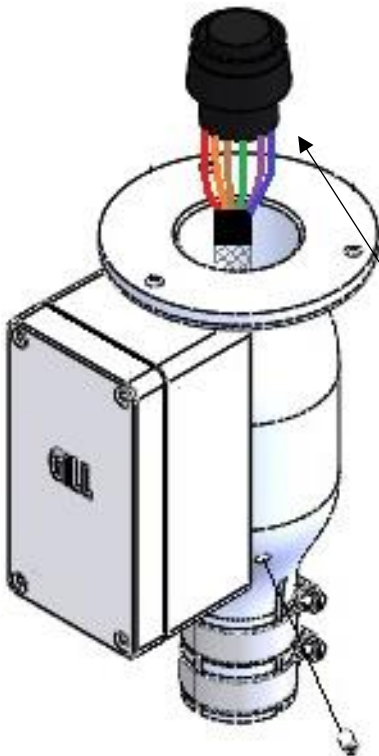


The M20 cable gland outlet on the Pipe Mount box is designed to accept cables with an outer diameter between 8mm to 13mm.

## 31 Way Connector to PCB Wiring Loom Details



VIEW ON PIN INSERTION SIDE OF CONNECTOR



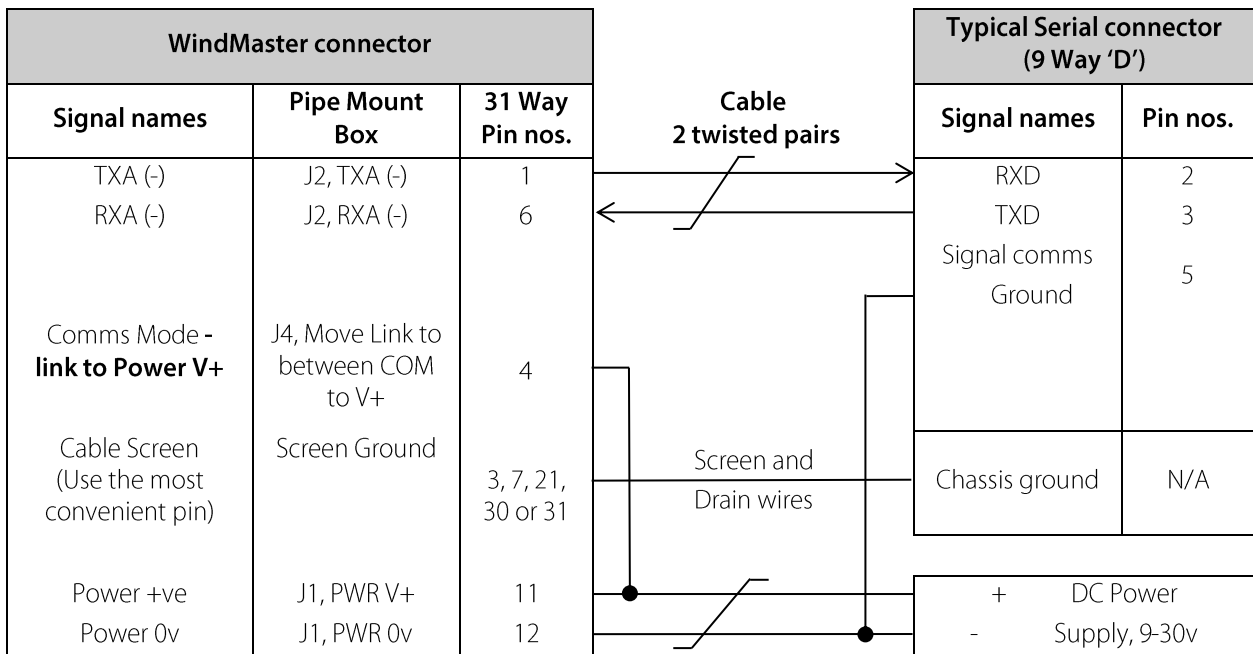
31 Way Connector

PIN NUMBER	WIRE COLOUR	FUNCTION
1	GREEN	TXA (-)
2	BROWN	TXB (+)
3	GREY	SCREENS
4	BLUE	COMMUNICATIONS MODE
5	YELLOW	RXB (+)
6	WHITE	RXA (-)
10	VIOLET	ANALOGUE GROUND
11	RED	POWER V+
12	BLACK	POWER 0V
24	ORANGE	ANALOGUE INPUT 4
27	GREEN	ANALOGUE INPUT 1
28	BROWN	ANALOGUE INPUT 2
29	GREY	ANALOGUE INPUT 3
8	GREEN	ANALOGUE OUTPUT 1
9	BROWN	ANALOGUE OUTPUT 3
14	GREY	ANALOGUE OUTPUT 2
15	BLUE	ANALOGUE OUTPUT 4
19	YELLOW	PRT EXCITATION +
20	WHITE	PRT EXCITATION -
25	VIOLET	PRT SENSE +
26	ORANGE	PRT SENSE -

## 4.7. Connection to PC using RS232



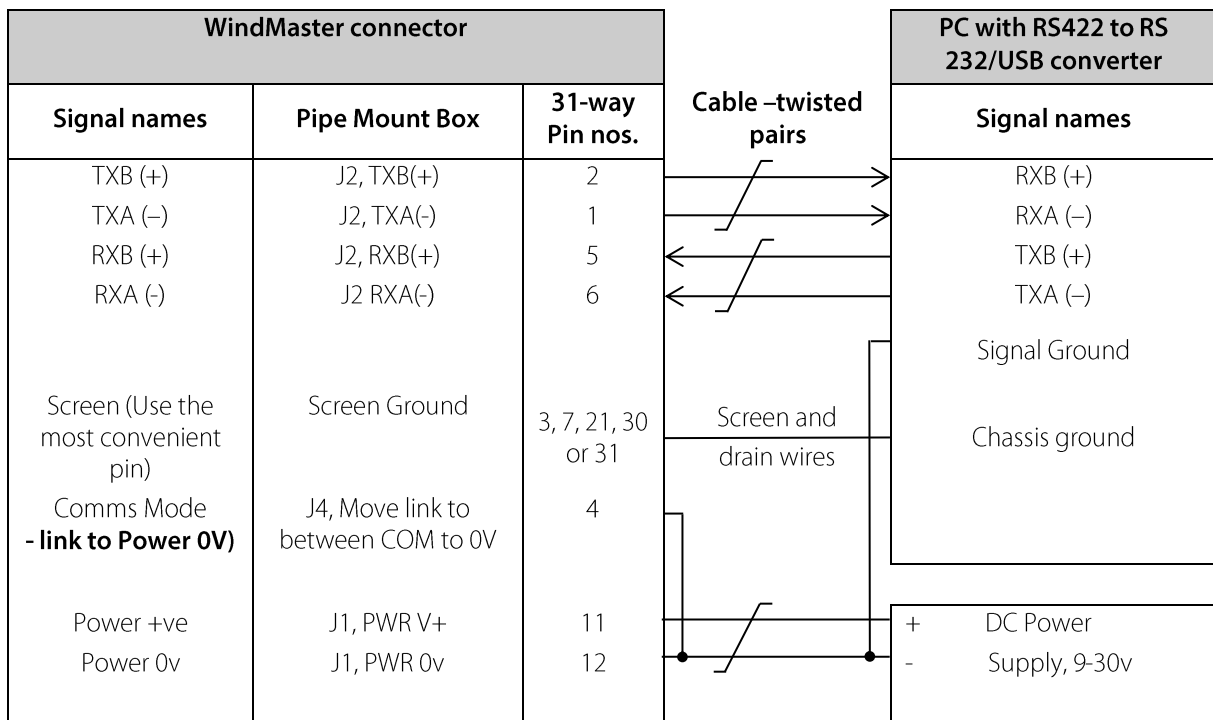
1. Using RS232, the cable length for reliable operation is limited to 6.5m (20ft) @ 9600 Baud. *See 4.4*
2. For longer cable runs, we recommend using the WindMaster configured with RS422 output, and a RS422/232 converter at the PC.
3. Ensure WindMaster is configured for AUTO or RS232. *See Appendix D Configuring.*
4. On Pipe Mount box units set J4 Link to COM/CM and externally link Comms mode to Power V+ or internally move J4 link from COM/CM to between COM and V+.
5. On non-pipe mount box units if Pin 4 is left open circuit the unit will default to RS422 operation in Auto mode.



## 4.8. Connection to a PC using RS422



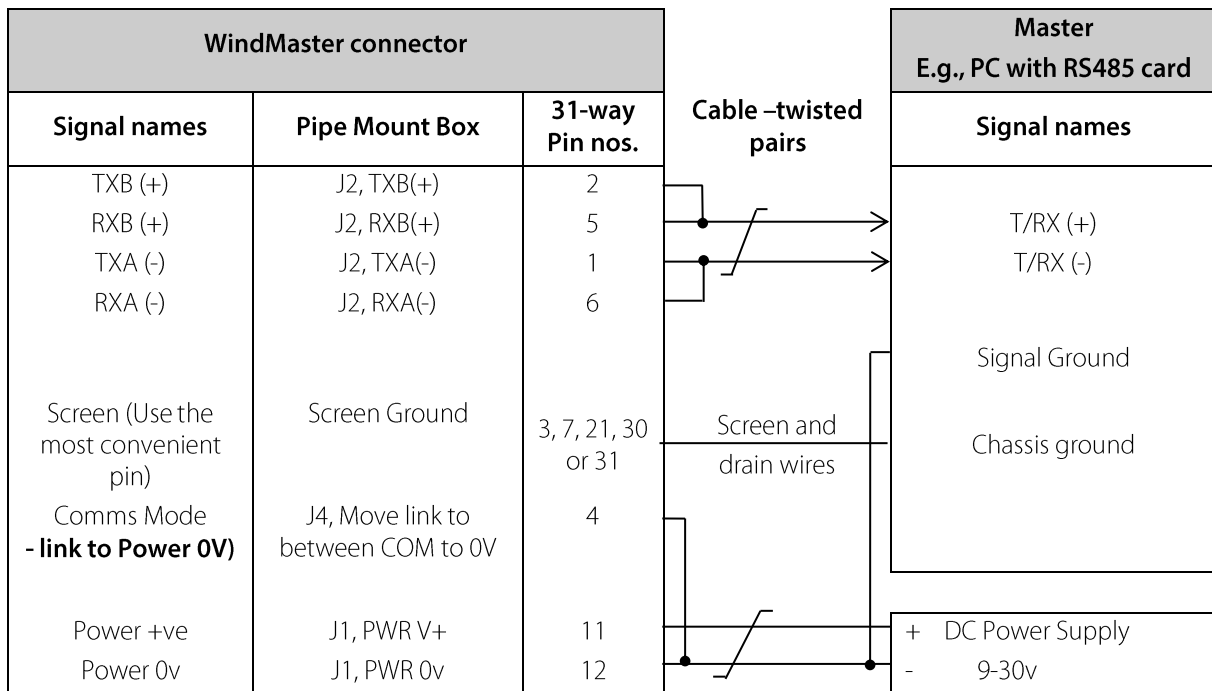
1. The PC must be fitted with an internal or external RS422 to RS232/USB converter.
2. On Pipe Mount box units set J4 Link to COM/CM and externally link Comms mode to Power 0v or internally move J4 link from COM/CM to between COM and 0v.
3. Configure WindMaster for RS 422 by linking Comms Mode line (Pin 4) to 0V (Pin 12).
4. On non-pipe mount box units if Pin 4 is left open circuit the unit will default to RS422 operation in Auto mode.



## 4.9. Connection to a PC using RS485



1. These notes apply to using WindMasters and WindMaster Pro's only on a 2 wire RS485 network.
2. Set up the WindMaster operating configuration before wiring for RS485 mode.
3. WindMasters **must** be configured for RS485 by linking Comms Mode line (Pin 4) to 0V (Pin 12).
4. On Pipe Mount box units set J4 Link to COM/CM and externally link Comms mode to Power V+ or internally move link from J4 COM/CM to between COM and V+.
5. On non-pipe mount box units if Pin 4 is left open circuit the unit will default to RS422 operation in Auto mode.
6. WindMasters **must** be in a Polled mode.
7. The baud rate setting may need to be adjusted/increased to 38400 or above depending on the poll rate.
8. The Master unit can be any suitable control device fitted with a RS485 interface card, such as a PC or Data logger. For best operation then the units should be connected directly to an RS485 interface card, use of some converters may degrade operation.
9. Analogue Outputs are also simultaneously available.
10. Node IDs of A-F, K, M, N or P are not recommended to use in a multi-drop system as these letters may appear in the WindMaster data string.
11. See Para 5.3 for more details on Poll operation.



## 4.10. Mechanical Installation



**Before installing**, it is strongly recommended that a bench test is carried out.

### Location

Select a position so that the unit is clear of any structure, which may obstruct the airflow or induce turbulence.



**Do NOT** mount the WindMaster in close proximity of high-powered radar or radio transmitters. A site survey may be required if there is any doubt about the strength of external electrical noise.

### Orientation

Normally the WindMaster/Pro is mounted vertically, ensuring a horizontal Measuring Plane.

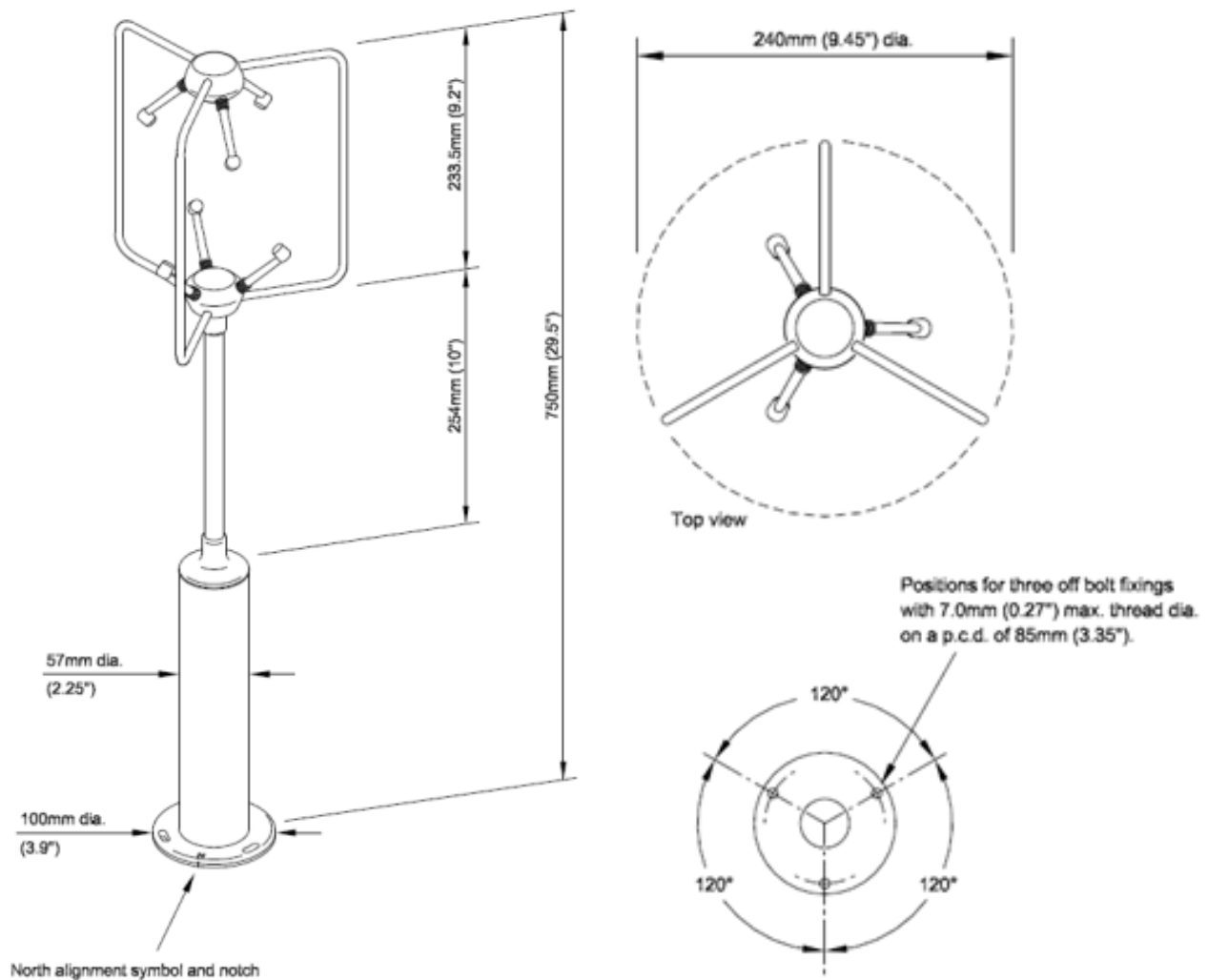
However, the unit may be mounted with the Measurement Plane set to any required orientation, **provided** the sealing gasket is fitted to the flange and provision is made to seal the M4 base mounting nuts (i.e., with a rubber boot) to prevent water ingress. **It is particularly important for the WindMaster RA** to have the gasket fitted and use RTV sealant around the base when unit is connected so as to prevent water penetration through cables/connectors or base screws etc. Care must also be taken to ensure that water cannot penetrate through the cable at any point and find a route through into the WindMaster connector.

**Attention to sealing is especially if any model is to be used in an inverted position** and it is advised to also use RTV sealant around the base when unit is connected so as to prevent water penetration through cables/connectors or base screws etc.

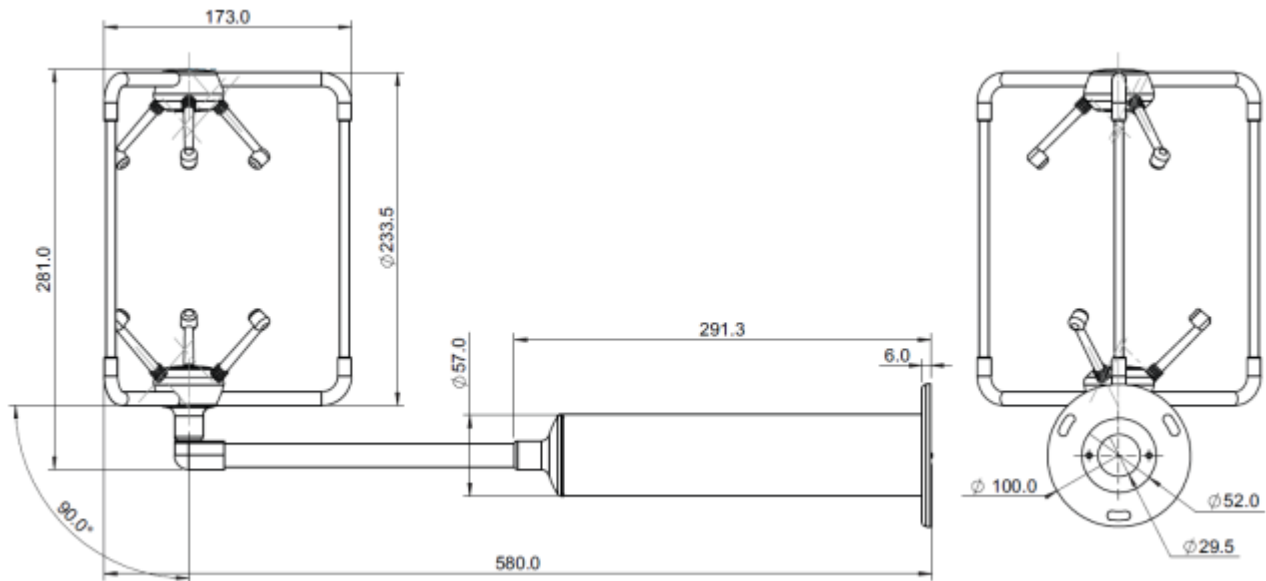
### Alignment and Dimensions

The reference north spar as indicated by a notch (that is in the direction line with north), which is also indicated on the base of the unit by another notch.

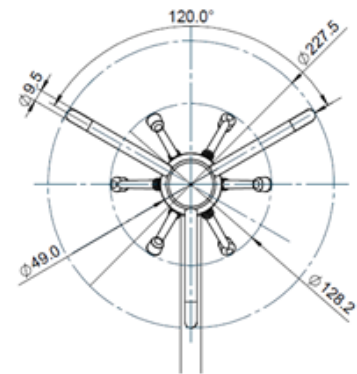
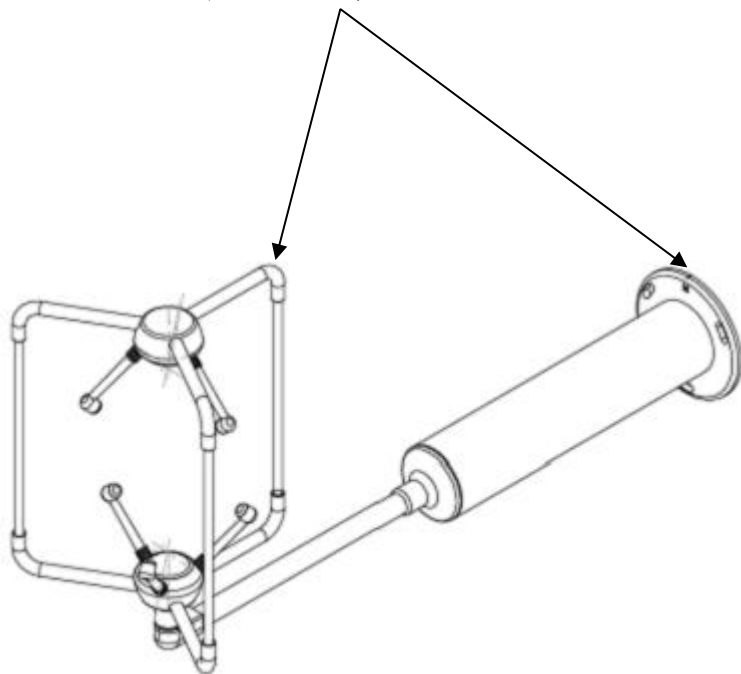
Figure 3 North Spar Alignment and Dimensions WindMaster Pro







North Spar, Marker Symbol and Notch



## Corrosion

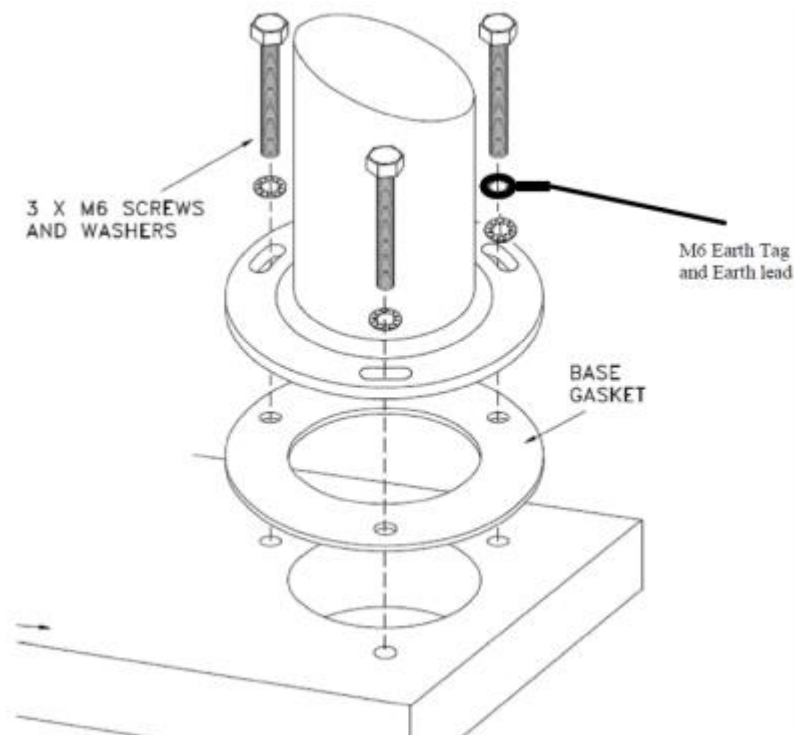
Careful note should be taken of the possibility of galvanic corrosion by incorrect mounting. It is vital that only stainless-steel fixings are used and that the instrument is insulated from the mounting surface with the rubber gasket. This will ensure that the anemometer will provide long service under extreme conditions such as marine.

## Grounding (Earthing)

For protection against lightning the WindMaster **MUST** be earthed via its mountings.

**The unit MUST be connected to an appropriate grounding point with a minimum of 6mm<sup>2</sup> copper wire.**

**Mounting WindMaster (1590-PK-020/W +options and WindMaster Pro (1561-PK-020/W + options).**



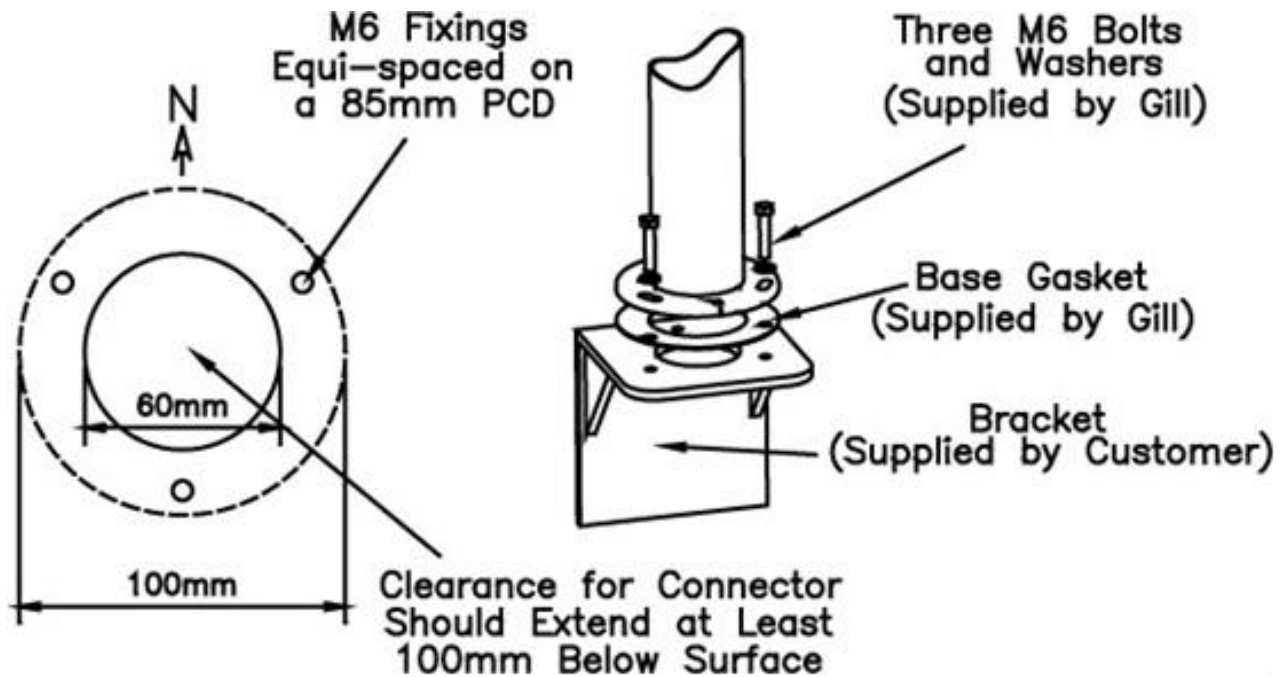
Connect Earth Lead to a nearest Earth Point

## Cable strain relief

Fit strain relief when installing such that the weight of the cable is supported and does not put a strain on the connector.

## Flange mounting

Mount the unit to a suitable surface, using the flange gasket and the M6 nuts, bolts and washers provided, ensuring that the clearance for the connector is maintained as shown on Figure 4.



**Figure 4 Flange Mounting**

### Gill Instruments Pipe mount adaptor (1561-PK-026).

The pipe mount adaptor made of mild steel with a zinc passivate, enables the WindMaster to be fitted directly to a standard 1.5 inch BSP pipe (Pipe size OD 1.9" (48.3mm), ID 1.5" (38.1mm), wall thickness 0.2" (5.08mm)). The pipe mount adaptor can be ordered from Gill.

The WindMaster connector must be connected to the WindMaster before the pipe mount adaptor is attached to the WindMaster. Pass the cable (fitted with the 31-way Clipper plug) through the tube. Connect the plug by twisting it whilst pushing it gently into the socket on the WindMaster. When it locates, twist the outer sleeve clockwise to connect and lock the plug.

Fix the pipe mount adaptor to the pipe using the 2 off M8 stainless steel screws provided.



The customer **MUST** fit appropriate strain relief to the cable - this is particularly important with pipe mounting.

Mount the WindMaster unit to the pipe mount adaptor using the flange gasket and the M6 nuts, bolts and washers provided.

In whichever way the WindMaster is mounted ensure a good Earth connection is made. An earth connection can be made using a 6mm<sup>2</sup> wire see page 30.

3 holes tapped for M6 bolts, equi-spaced on a 85.0 PCD

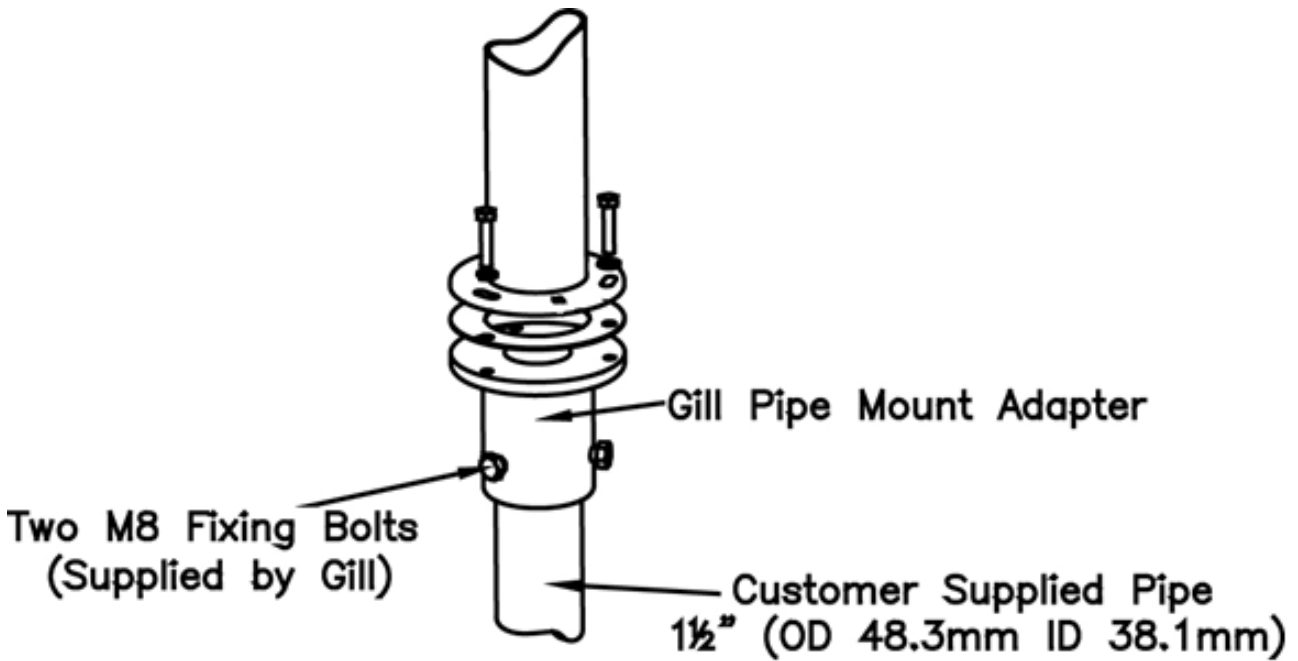
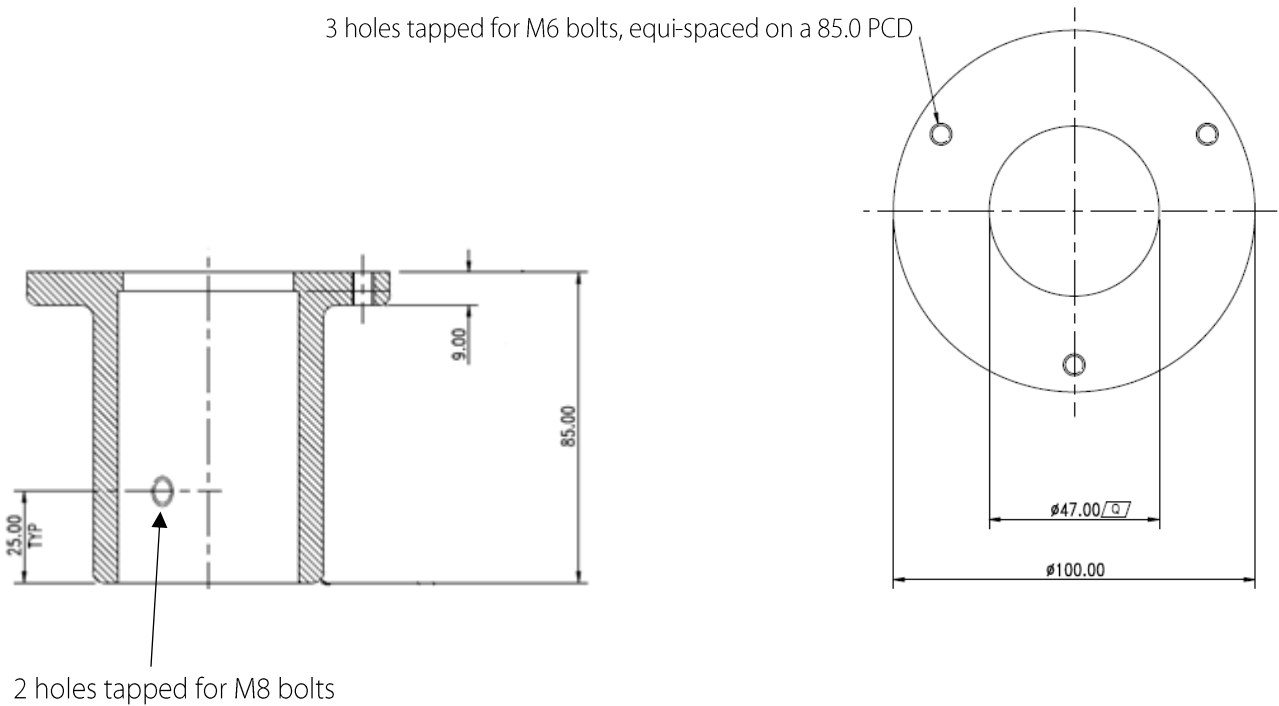


Figure 5. Pipe Mount Adaptor (1561-PK-026)

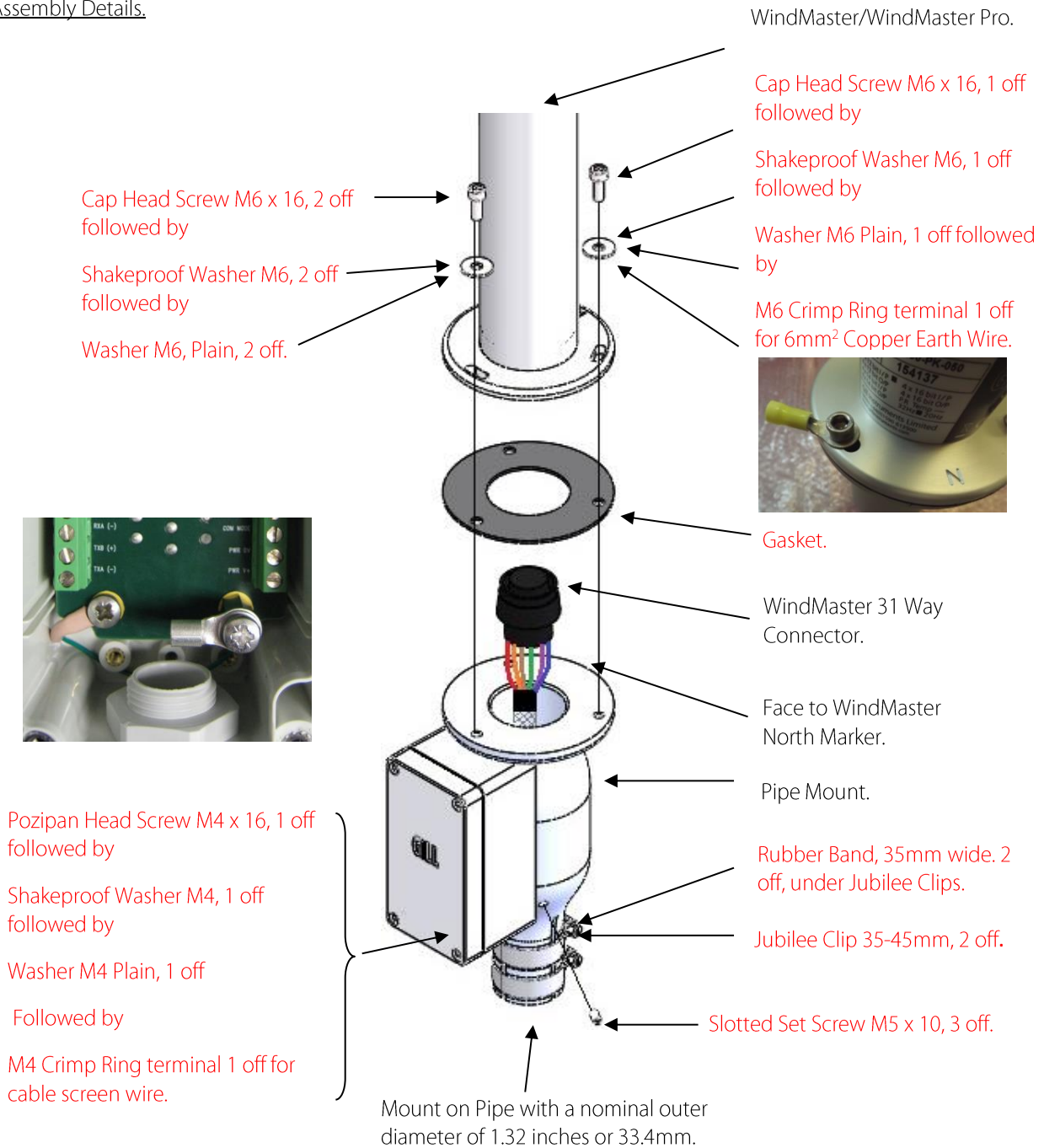
## Gill Instrument Pipe Mount Adaptor 1590-PK-048.

Gill Pipe Mount Adaptor Part 1590-PK-048 can be used with WindMaster and WindMaster Pro units.

A kit parts are supplied that can be assembled to the base of the WindMaster/Pro and to complete mounting the assembled unit to a pipe.

The Pipe Mount has a smooth internal bore (3.54 inches/90mm in depth) and is designed to mount on a smooth pipe with a nominal outer diameter of 1.32 inches or 33.4mm. E.g., a pipe with outer dimensions of a one inch national pipe thread.

### Assembly Details.





The M20 Cable gland from the connection box is designed to accept cables with an outer diameter between 8mm to 13mm.

Connect the external cable screen/s to the pillar inside the box using the supplied M4 parts illustrated above.

Appropriate strain relief **MUST** be fitted to the cable connected through the M20 cable gland - this is particularly important with pipe mounting.

The weight of the Pipe Mount is approximately 1.12kg.

## Grounding (Earthing)

For protection against lightning the WindMaster **MUST** be earthed via its mountings.

**The unit MUST be connected to an appropriate grounding point with a minimum of 6mm<sup>2</sup> copper wire.**

An M6 ring terminal is fitted to the WindMaster as illustrated above to which the 6mm<sup>2</sup> copper wire can be crimped attached for connection to a ground point.

## 5. Message Formats

On applying power to the WindMaster, it will automatically operate in the Measurement Mode and provide wind measurements in one of the following formats:

- Mode 1 – ASCII, UWW, Continuous
- Mode 2 – ASCII, Polar, Continuous (**default format**)
- Mode 3 – ASCII, UWW, Polled
- Mode 4 – ASCII, Polar, Polled
- Mode 7 – Binary, Polar, Short
- Mode 8 – Binary, UWW, Short
- Mode 9 – Binary, Polar, Long
- Mode 10 – Binary UWW, Long



In this Section, the default settings are shown in **Bold**.

The user need not necessarily use a terminal emulator to store and analyse data being sent by the Anemometer. This section describes the modes and format of the data output to enable specific interfacing software to be generated by the user.

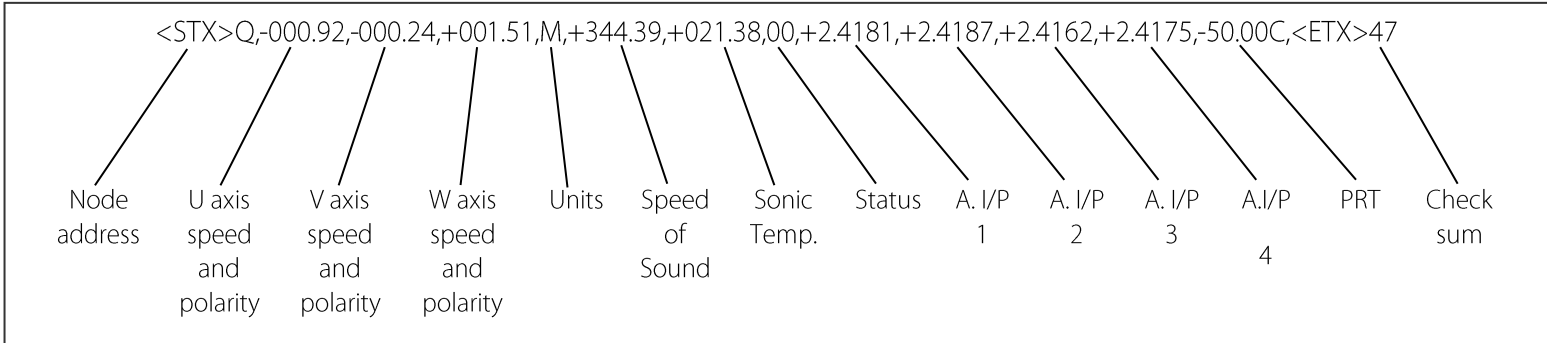
**Information on how to change the formats and all the settings follows in Appendix D CONFIGURING**

## 5.1. Mode 1 – ASCII, UWW Continuous

(a) Mode 1, Normal Resolution (J1).

ASCII, UWW, Continuous, Speed of Sound On, Sonic Temp On, [Analogue inputs on], PRT On

In this mode, the wind speed outputs are given as signed (i.e. positive or negative) speeds along the U axis, V axis and the W (vertical) axis.



Format for software configuring is: -

```
<STX><ID>±UUU.UU±VV.W±WWW.WW,U±CCC.CC±TTT.TT,
SS,[±1.1111,±2.2222,±3.3333,±4.4444]±PP.PPC,<ETX>CC<CR><LF>
```

Where:

- |    |          |   |   |
|----|----------|---|---|
| 1  | <STX>    | - | Start of string character (ASCII value 2)                                       |
| 2  | <ID>     | - | Anemometer Identification (A-Z)   |
| 3  | ±UUU.UU  | - | 'U' axis velocity 0.01ms <sup>-1</sup> units                                    |
| 4  | ±VV.W    | - | 'V' axis velocity 0.01ms <sup>-1</sup> units                                    |
| 5  | ±WWW.WW  | - | 'W' axis velocity 0.01ms <sup>-1</sup> units                                    |
| 6  | U        | - | Units (M=m/s, N=knots, P=mph, K=kph)  |
| 7  | ±CCC.CC  | - | Speed of Sound in 0.01ms <sup>-1</sup> units                                    |
| 8  | ±TTT.TT  | - | Sonic Temperature in Degrees C.   |
| 9  | SS       | - | Status data (Codes 00 to 0B)  |
| 10 | ±1.1111  | - | Analogue input 1 in volts   |
| 11 | ±2.2222  | - | Analogue input 2 in volts   |
| 12 | ±3.3333  | - | Analogue input 3 in volts   |
| 13 | ±4.4444  | - | Analogue input 4 in volts   |
| 14 | ±PP.PPC  | - | PRT temperature in degrees C, e.g. +23.13deg C output as +23.13C in the string. |
| 15 | <ETX>    | - | End of string character (ASCII value 3)   |
| 16 | CC       | - | Checksum of all Characters between <STX> and <ETX> (HEX byte)                   |
| 17 | <CR><LF> | - | Carriage Return and Line Feed   |



## <STX>

Start of string character (ASCII value 2).

## WindMaster Identification node address

The default setting is 'Q'.

## Horizontal wind speed

Shows the wind speed in the U / V Plane. *See Fig 2.*

## Vertical wind speed

Shows the magnitude of wind speed in the W axis. *See Fig 2.*

## Units

The Units identifier shows the units in which the wind speeds are measured.

Units	Identifier
<b>Metres per second (default)</b>	<b>M</b>
Knots	N
Miles per hour	P
Kilometres per hour	K
Feet per minute	F

## Speed of Sound (SOS)

If enabled, this is displayed in metres per second.

## Sonic temperature

If enabled, this is displayed in degrees C (*please note that this is not corrected for humidity*).

## Status

This indicates either correct operation - Code 00 - or status code. *Appendix F for explanation of codes.*

## Analogue Inputs (Unit order option)

If enabled, the four Analogue inputs are an order option (see Para 6.1).

## PRT (Unit order option)

If enabled, the Platinum Resistance Thermometer input is an order option (see Para 6.2).

## Checksum

This enables the host system to check that the data has been correctly received. This is the EXCLUSIVE – OR of the bytes between (and not including) the <STX> and <ETX> characters reported as ASCII Hex.

## <ETX>

End of string character (ASCII value 3).

## Output rate (not displayed)

The WindMaster delivers wind information at rates from 1 (default setting) to 32 outputs / second. [The sample rate (20 or 32 Hz) is chosen automatically to be an appropriate multiple of the output rate.] Data can be instantaneous or averaged (see section Appendix D).



**Use at least 38400 baud if high output rates 20/32Hz are used with all parameter outputs on.**

## (b) Mode 1 (High Resolution (J2))

**ASCII, UVW, Continuous, Speed of Sound On, Sonic Temp On, [Analogue inputs on], PRT On**

<STX><ID>,±UUU.UUU,±VV.VV,±WWW.WWW,U,±CCC.CC,±TTT.TT,SS,[±1.1111,±2.2222,±3.3333,±4.4444],±PP.PPC,<ETX>CC<CR><LF>

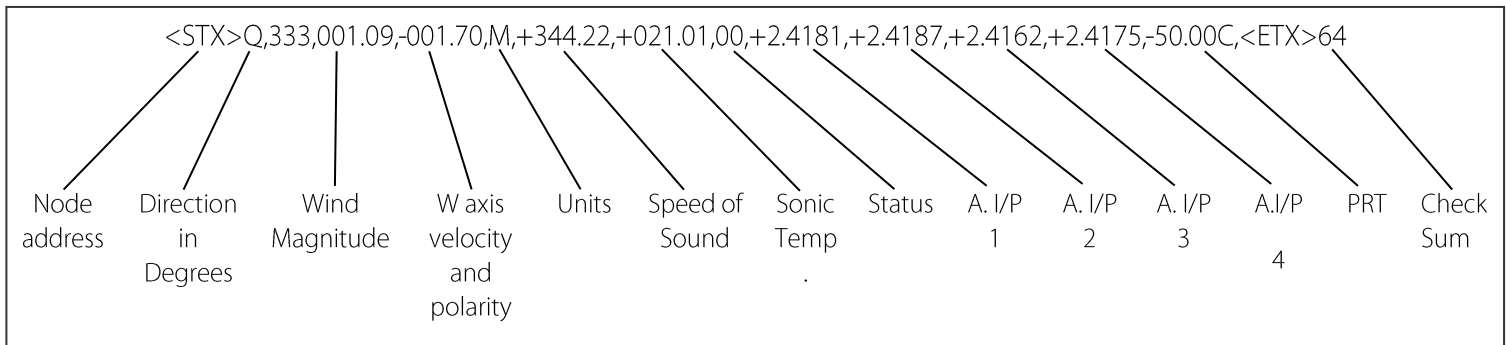
Where:

- |    |          |   |  |
|----|----------|---|--|
| 1  | <STX>    | - | Start of string character (ASCII value 2)  |
| 2  | <ID>     | - | Anemometer Identification (A-Z)  |
| 3  | ±UUU.UUU | - | 'U' axis velocity 0.001ms <sup>-1</sup> units                                    |
| 4  | ±VV.VV   | - | 'V' axis velocity 0.001ms <sup>-1</sup> units                                    |
| 5  | ±WWW.WWW | - | 'W' axis velocity 0.001ms <sup>-1</sup> units                                    |
| 6  | U        | - | Units (M=m/s)  |
| 7  | ±CCC.CC  | - | Speed of Sound in 0.01ms <sup>-1</sup> units                                     |
| 8  | ±TTT.TT  | - | Sonic Temperature in Degrees C.  |
| 9  | SS       | - | Status data (Codes 00 to 0B)   |
| 10 | ±1.1111  | - | Analogue input 1 in volts  |
| 11 | ±2.2222  | - | Analogue input 2 in volts  |
| 12 | ±3.3333  | - | Analogue input 3 in volts  |
| 13 | ±4.4444  | - | Analogue input 4 in volts  |
| 14 | ±PP.PPC  | - | PRT temperature in degrees C, e.g., +23.13deg C output as +23.13C in the string. |
| 15 | <ETX>    | - | End of string character (ASCII value 3)  |
| 16 | CC       | - | Checksum of all Characters between <STX> and <ETX> (HEX byte)                    |
| 17 | <CR><LF> | - | Carriage Return and Line Feed  |

## 5.2. Mode 2 – ASCII, Polar, Continuous

### (a) Mode 2 (Normal Resolution Shown J1)

ASCII, Polar+W, Continuous, Speed of Sound On, Sonic Temp On, [Analogue inputs on], PRT On



Format for software configuring is: -

<STX><ID>,DDD,MMM.MM,±WWW.WW,U,±CCC.CC,±TTT.TT,SS,[±1.1111,±2.2222,±3.3333±4.4444],  
±PP.PPC,<ETX>CC<CR><LF>

Where:

- <STX> - Start of string character (ASCII value 2)
- <ID> - Anemometer Identification (A-Z)
- DDD - Direction in degrees
- MMM.MM - Wind Magnitude
- ±WWW.WW - 'W' axis velocity  $0.01\text{ms}^{-1}$  units
- U - Units (M=m/s, N=knots, P=mph, K=kph)
- ±CCC.CC - Speed of Sound in  $0.01\text{ms}^{-1}$  units
- ±TTT.TT - Sonic Temperature in Degrees C.
- SS - Status data (Codes 00 to 0B)
- ±1.1111 - Analogue input 1 in volts
- ±2.2222 - Analogue input 2 in volts
- ±3.3333 - Analogue input 3 in volts
- ±4.4444 - Analogue input 4 in volts
- ±PP.PPC - PRT temperature in degrees C, e.g., +23.13deg C output as +23.13C in the string.
- <ETX> - End of string character (ASCII value 3)
- CC - Checksum of all Characters between <STX> and <ETX> (HEX byte)
- <CR><LF> - Carriage Return and Line Feed

Parameters are as described in Para 5.1 except that: -

### Horizontal wind direction

Indicated in degrees, from 0 to 359°, with respect to the WindMaster North marker.

In fixed field mode and when the wind speed is below 0.05 metres/sec, the direction will not be calculated, but the last calculated direction above 0.05 m/s will be output (the threshold of 0.05 m/s is the default setting; it is user-configurable).

## (b) Mode 2 (High Resolution Shown J2)

**ASCII, Polar+W, Continuous, Speed of Sound On, Sonic Temp On, [Analogue inputs on], PRT On**

<STX><ID>,DDD.D,MMM.MMM,±WWW.WWW,U,±CCC.CC,±TTT.TT,SS,[±1.1111,±2.2222,±3.3333  
±4.4444],±PP.PPC,<ETX>CC<CR><LF>

Where:

<STX>	-	Start of string character (ASCII value 2)
<ID>	-	Anemometer Identification (A-Z)
DDD.D	-	Direction in degrees
MMM.MMM	-	Wind Magnitude
±WWW.WWW-	-	'W' axis velocity 0.001ms <sup>-1</sup> units
U	-	Units (M=m/s)
±CCC.CC	-	Speed of Sound in 0.01ms <sup>-1</sup> units
±TTT.TT	-	Sonic Temperature in Degrees C.
SS	-	Status data (Codes 00 to 0B)
±1.1111	-	Analogue input 1 in volts
±2.2222	-	Analogue input 2 in volts
±3.3333	-	Analogue input 3 in volts
±4.4444	-	Analogue input 4 in volts
±PP.PPC	-	PRT temperature in degrees C, e.g., +23.13deg C output as +23.13C in the string.
<ETX>	-	End of string character (ASCII value 3)
CC	-	Checksum of all Characters between <STX> and <ETX> (HEX byte)
<CR><LF>	-	Carriage Return and Line Feed

## 5.3. Mode 3 – ASCII, UVW, Polled

### Mode 3 (Normal Resolution Shown)

**ASCII, UVW, Polled, Speed of Sound On, Sonic Temp On, [Analogue inputs on], PRT On**

<STX><ID>,±UUU.UU,±VV.W,±WWW.WW,U,±CCC.CC,  
±TTT.TT,SS,[±1.1111,±2.2222,±3.3333±4.4444],±PP.PPC,<ETX>CC<CR><LF>

Where:

<STX>	-	Start of string character (ASCII value 2)
<ID>	-	Anemometer Identification (A-Z)
±UUU.UU	-	'U' axis velocity 0.01ms <sup>-1</sup> units
±VV.W	-	'V' axis velocity 0.01ms <sup>-1</sup> units
±WWW.WW	-	'W' axis velocity 0.01ms <sup>-1</sup> units
U	-	Units (M=m/s, N=knots, P=mph, K=kph)
±CCC.CC	-	Speed of Sound in 0.01ms <sup>-1</sup> units
±TTT.TT	-	Sonic Temperature in Degrees C.
SS	-	Status data (Codes 00 to 0B)
±1.1111	-	Analogue input 1 in volts
±2.2222	-	Analogue input 2 in volts
±3.3333	-	Analogue input 3 in volts
±4.4444	-	Analogue input 4 in volts
±PP.PPC	-	PRT temperature in degrees C, e.g., +23.13deg C output as +23.13C in the string.
<ETX>	-	End of string character (ASCII value 3)
CC	-	Checksum of all Characters between <STX> and <ETX> (HEX byte)
<CR><LF>	-	Carriage Return and Line Feed

## Polled Mode Notes General

The unit must be set for a polled Mode (M3 or M4).

When in the Polled mode, an output is only generated when the host system sends a Poll signal to the WindMaster consisting of the WindMaster Unit Identifier – that is, the relevant letter A – Z.

The default setting is 'Q'.

It is recommended that letters A to F, K, M, N, and P are not used since they can appear in a WindMaster data string and might result in erroneous poll responses.

The commands available in Polled Mode are:

Description	Command	WindMaster Response
WindMaster Unit Identifier	A ..... Z	Wind speed output generated
Enable Polled mode	?	(none)
Disable Polled mode	!	(none)
Request WindMaster Unit Identifier	&	A ..... Z (as configured)
Enter Configuration mode	*<N>	CONFIGURATION MODE
Default Poll Mode	Syncpoll 0	Ultrasonic firings take place in the background at the output rate. Data Output is asynchronous to the poll command.
Single Ultrasonic Firing Poll mode	Syncpoll 1	A single ultrasonic firing result is output. It is triggered/synchronised to the poll command.

\* Where <N> is the Unit Identifier.

It is suggested that in polled mode the following sequence is used for every poll for information.

? Ensures that the Sensor is enabled to cover the event that a power down has occurred.

A-Z Appropriate unit designator sent to retrieve a line of data.

! Sent to disable poll mode and reduce possibility of erroneous poll generation.

If the unit is powered down after use or upon switch on, then allow 5 seconds from switch on before sending poll commands.

When in polled mode the unit will respond to a poll data command within 30mS of receiving the command.

Maximum poll rate for all modes is 20Hz.

## Syncpoll 0 Mode Notes (Default)

### Default Syncpoll 0 is set up as follows: -

Open Wind Software.

Type \* or \*<N> (if already in a polled mode) to enter CONFIGURATION MODE.

Type Syncpoll 0 and press Enter (note there is a space between Syncpoll and 0).

Type Q and press Enter to go to SyncPoll 0 measurement mode.

To check the current syncpoll setting when in configuration mode type Syncpoll and press return. The unit will respond with 1 or 0.

Ultrasonic firings take place in the background.

Receipt of a poll command will trigger an asynchronous Wind measurement output resultant from the previous measurements.

The maximum Poll command rate is 20Hz for a single unit connected point to point.

## Syncpoll 1 Mode Notes

### Syncpoll 1 is set up as follows: -

Open Wind Software.

Type \* or \*<N> (if already in a polled mode) to enter CONFIGURATION MODE.

Type Syncpoll 1 and press Enter (note there is a space between Syncpoll and 1).

Type Q and press Enter to go to SyncPoll 1 measurement mode.

To check the current Syncpoll setting when in configuration mode type Syncpoll and press return. The unit will respond with 1 or 0.

Receipt of poll command will trigger a single 50mS or 31.25mS ultrasonic measurement and at the same time will trigger a Wind measurement output resultant from the previous polled measurement.

The minimum Poll command rate is 20Hz.

Analogue inputs are not supported in Syncpoll 1 mode.

## 5.4. Mode 4 – ASCII, Polar, Polled

### Mode 4 (Normal Resolution Shown)

#### ASCII, Polar+W, Polled, Speed of Sound On, Sonic Temp On, [Analogue inputs On], PRT On

<STX><ID>,DDD,MMM.MM,±WWW.WW,U,±CCC.CC,±TTT.TT,SS,[±1.1111,±2.2222,  
±3.3333±4.4444],±PP.PPC,<ETX>CC<CR><LF>

Where:

<STX>	-	Start of string character (ASCII value 2)
<ID>	-	Anemometer Identification (A-Z)
DDD	-	Direction in degrees
MMM.MM	-	Wind Magnitude
±WWW.WW	-	'W' axis velocity 0.01ms <sup>-1</sup> units
U	-	Units (M=m/s, N=knots, P=mph, K=kph)
±CCC.CC	-	Speed of Sound in 0.01ms <sup>-1</sup> units
±TTT.TT	-	Sonic Temperature in Degrees C.
SS	-	Status data (Codes 00 to 0B)
±1.1111	-	Analogue input 1 in volts
±2.2222	-	Analogue input 2 in volts
±3.3333	-	Analogue input 3 in volts
±4.4444	-	Analogue input 4 in volts
±PP.PPC	-	PRT temperature in degrees C, e.g., +23.13deg C output as +23.13C in the string.
<ETX>	-	End of string character (ASCII value 3)
CC	-	Checksum of all Characters between <STX> and <ETX> (HEX byte)
<CR><LF>	-	Carriage Return and Line Feed

See also Polled Notes above.

## 5.5. Mode 7 – Binary, Polar, Short

B1><B1>STATUS,DIR,MAG,W,SOS,CHECKSUM

<B1>	-	
<B1>	-	
STATUS	-	Status data (Codes 00 to 10)
DIR		Wind Direction
MAG		Wind Speed
W		W axis velocity
SOS		Speed of Sound in 0.01ms
CHECKSUM		

Notes:-

Data is 2 byte signed two's complement (except unsigned for SOS; 1 byte for checksum).

Velocities are normal resolution (0.01m/s).

Outputs that are disabled are padded with zero to give fixed size records.

A Gill Binary to ASCII Converter is available to download from <http://gillinstruments.com/main/software.html>

## 5.6. Mode 8 – Binary, Uvw, Short

<B2><B2>STATUS,U,V,W,SOS,CHECKSUM

<B2> -

<B2> -

STATUS - Status data (Codes 00 to 0B)

U U axis velocity

V V axis velocity

W W axis velocity

SOS Speed of Sound in  $0.01\text{ms}^{-1}$

CHECKSUM

## 5.7. Mode 9 – Binary, Polar, Long

<B3><B3>STATUS,DIR,MAG,W,SOS,A1,A2,A3,A4,PRT,CHECKSUM

<B3> -

<B3> -

STATUS - Status data (Codes 00 to 0B)

DIR Wind Direction

MAG Wind Speed

W W axis velocity

SOS Speed of Sound in  $0.01\text{ms}^{-1}$

A1 Analogue input 1

A2 Analogue input 2

A3 Analogue input 3

A4 Analogue input 4

PRT Platinum Resistance Thermometer input

CHECKSUM



## 5.8. Mode 10 – Binary, UVW, Long

One record consists of 23 Bytes: -

0xB4 0xB4 StaL StaH Wc1L Wc1H Wc2L Wc2H Wc3L Wc3H SoSL SoSH A1L A1H A2L A2H A3L A3H A4L A4H TPrtL  
TPrtH,Checksum

Variable	Description	Byte
0xB4 0xB4	Start message identifier (HEX B4 = decimal 180)	1+2
Sta	Status data (Information only on low byte (Codes 00 to 0B), high byte always zero).	3+4
Wc1	U axis wind velocity (16 bit signed integer).	5+6
Wc2	V axis wind velocity (16 bit signed integer)	7+8
Wc3	W axis wind velocity (16 bit signed integer)	9+10
SoS	Speed of Sound in 0.01ms (16 bit signed integer)	11+12
A1	Analogue input 1 (16 bit signed integer).	13+14
A2	Analogue input 2 (16 bit signed integer).	15+16
A3	Analogue input 3 (16 bit signed integer).	17+18
A4	Analogue input 4 (16 bit signed integer).	19+20
TPrt	Temperature from PRT (16 bit signed integer).	21+22
Checksum	Checksum (exclusive OR of bytes between start of message identifier and checksum byte).	23

SoS is always reported as Speed of Sound independent of A command setting.

TPrt is always reported independent from the V command setting.

A1 to A4 are always reported independent from the I command setting.

## 6. Analogue Inputs



Options of four analogue inputs must be specified when ordering.

Use Gill Wind Software to enable Analogue inputs.

Information on how to change the formats and all the settings follows in Appendix D, CONFIGURING.

Analogue inputs are not supported in Syncpoll 1 mode.

### 6.1. Analogue Inputs

The input range is fixed at  $\pm 5V$

For pin connections see 4.6.1 and 4.6.2 Connections.

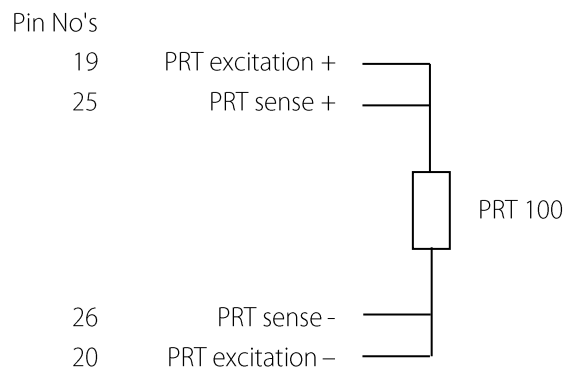
The WindMaster can be configured for 4 single analogue inputs (31-way connector Pins 27, 28, 29 and 24 or on Pipe mount box A IN 1, A IN 2, A IN 3, and A IN 4) or 2 differential analogue inputs. 31-way connector Input 1 (Pins 27 and 28) and Input 2 (Pins 29 and 24) or Pipe Mount box Input 1 (A IN 1 and A IN 2) and Input 2 (A IN 3 and A IN 4).

Input range	- 5 V to + 5 V
Common mode input range	$\pm 5 V$
Input impedance	310 K ohm in series with 2.5 V
Resolution	12, 14 bit (as installed)

### 6.2. PRT Input

Available on the WindMaster Pro only. (Must be specified when ordering).

The PRT input is designed to work with any 4 wire PRT that meets IEC60751.



## 6.3. Input Rates

In single ended mode timing responses are: -

Channel	20Hz Base Rate	32Hz Base Rate
1	20Hz	32Hz
2	20Hz	16Hz
3	5Hz	4Hz
4	5Hz	4Hz
PRT	5Hz	4Hz

## 7. Analogue Outputs



**Options of four analogue outputs must be specified when ordering.**

**Use Gill Wind Software to enable Analogue outputs.**

**Information on how to change the formats and all the settings follows in Appendix D, CONFIGURING.**

**Analogue outputs are always in Metres/Second irrespective of the digital output units setting.**

**If the M command is changed after setting up analogue outputs, then note that Analogue settings may need to be re-configured for the new M setting.**

### 7.1. Output Allocations

Each of the outputs can be configured to one of the following: -

U, V, W, Polar Angle (Horizontal Direction), Speed of Sound, Sonic Temperature, Status, Polar magnitude (Horizontal Wind Speed).

### 7.2. Output Types

They are user-configurable as: -  
Voltage 0V to 5V, or -2.5V to +2.5V, or -5V to +5V,  
Current 4 -20 mA, or 0 - 20mA.

### 7.3. Voltage Outputs

The output impedance is less than 1 ohm. To prevent inaccuracies, the outputs should be connected to an input with an impedance greater than 10KΩ.

## 7.4. Current Outputs

### Important

When using the current outputs, the load resistance between the Output and Ground must be  $\leq 300$  ohms, including cable resistance.

*This is to ensure that the voltage levels on the Analogue outputs do not exceed 5V.*

## 7.5. Scaling (Metres/second only)

This is user-configurable to 5, 10, 20, 30, 40, 50, 60, or 120 m/s full scale for wind speed.

Using 50m/s and UWW setting as an example, this defines the outputs range as follows

Polar setting will range between 0 – 50m/s.

Output	Voltage 0 to 5V	Voltage $\pm 2.5V$	Voltage $\pm 5V$	Current 4 - 20 mA	Current 0 - 20 mA
<b>U, V, W</b>					
-50 m/s	0	-2.5	-5	4	0
0 m/s	+2.5	0	0	12	10
+50 m/s	+5	+2.5	+5	20	20

## 7.6. Polar wind direction wraparound

The wind direction in Polar mode can be configured for either 360° or 540° Wraparound. If the 360° mode is used with a chart recorder, large swings of the recorder pen will be experienced each time the wind direction passes between 0 and 359°. Using the 540° mode, when the wind first changes from 0° to 359°, there will be a step change on the output, but after this first time the output will change smoothly each time the wind passes through 360°. (Similarly, the first time the wind veers from 539° to 180°, there will be a step change, after which the output will change smoothly).



Values given for guidance, considering a clockwise spin in Wind Direction

Output	Voltage 0 to 5V	Voltage $\pm 2.5V$	Voltage $\pm 5.0V$	Current 4 - 20 mA	Current 0 - 20 mA
<b>360°</b>					
0°	0.00	- 2.50	-5.0	4.00	0.00
180°	2.50	0.00	0	12.00	10.00
359.9°	5.00	+2.50	+5.0	20.00	20.00
<b>540° wraparound</b>					
0°	0.00	-2.50	-5.0	4.00	0.00
180°	1.67	-0.83	-1.66	9.33	6.67
360°	3.33	+0.83	+1.66	14.67	13.33
539.9°	5.00	+2.50	+5.0	20.00	20.00

## 7.7. Speed of Sound and Sonic Temperature

Scaling for Speed of Sound and Sonic Temperature (Instrument Software version 2329-110 onwards) is as follows: -

Sonic Temp (Deg C)	-40	-30	-20	-10	0	10	20	30	40	50	60	70
<b>SOS (m/s)</b>	<b>300.00</b>	<b>306.36</b>	<b>312.73</b>	<b>319.09</b>	<b>325.45</b>	<b>331.82</b>	<b>338.18</b>	<b>344.55</b>	<b>350.91</b>	<b>357.27</b>	<b>363.64</b>	<b>370.00</b>
+/-5V	-5.00	-4.09	-3.18	-2.27	-1.36	-0.45	0.45	1.36	2.27	3.18	4.09	5.00
0-5V	0.00	0.45	0.91	1.36	1.82	2.27	2.73	3.18	3.64	4.09	4.55	5.00
+/-2.5	-2.50	-2.05	-1.59	-1.14	-0.68	-0.23	0.23	0.68	1.14	1.59	2.05	2.50
4-20mA	4.00	5.45	6.91	8.36	9.82	11.27	12.73	14.18	15.64	17.09	18.55	20.00
0-20mA	0.00	1.82	3.64	5.45	7.27	9.09	10.91	12.73	14.55	16.36	18.18	20.00

## 7.8. Status

If an output is configured for Status reporting (using Gill Wind Software) then example levels will be as follows for good signal high, bad (error) signal low depending on output type. High/Low table contents will be reversed if good signal low, bad signal high is used.

Good Signal status code (high)	+5V	+2.5V	+5v	20mA	20mA
Error Signal Status Code (low)	0V	-2.5V	-5V	0mA	4mA



Under a fault condition (status code not 00) analogue output wind readings will hold the last known good analogue value until the status fault changes back to 00, However Speed of Sound and Sonic Temperature will read full scale.

## 7.9. Default Output

If a unit has analogue outputs, then the factory settings are: -

- Channel 1      0-5v, Polar Wind Angle, 0-360 degrees.
- Channel 2      0-5v, Polar Wind Speed, 0-5m/s.
- Channel 3      0-5v, W Wind Speed, 0-5m/s.
- Channel 4      0-5v, Status.

## Appendix A - Technical Specification



\* **WindMaster/WindMaster Pro** Accuracy specification applies for wind speed up to range maximum, and for wind incidence up to  $\pm 30^\circ$  from the horizontal on units with firmware 2329-700 and higher.

# **Custom calibration** (to be specified when ordering, or unit can be returned for calibration)

Wind Speed	WindMaster/WindMaster RA	WindMaster Pro
Range	0 to 50m/s	0-65m/s
Accuracy (12 m/s) (to special order) #	< 1.0 % RMS	
Accuracy (12 m/s) (Standard)*	< 1.5% RMS	
Resolution	0.01 or 0.001 m/s	
Units of Measurement	m/s, knots, mph, kph, ft/min	
Wind Direction		
Range	0-359 Degrees	
Accuracy (12 m/s) (Standard)*	2°	
Accuracy (12 m/s) (to special order) * #	0.5°	
Resolution	1° or 0.1°	

Speed of Sound	
Range	300 -370 m/s
Accuracy	< $\pm 0.5\%$ @ 20 °C
Resolution	0.01 m/s

Sonic Temperature		
Range	-40 °C to +70 °C	-40 °C to +70 °C
T <sub>s</sub> ' Accuracy (≥ 1 Hz) (All models, unchanged)	Eddy Covariance Quality	Eddy Covariance Quality
T <sub>s</sub> Accuracy (slow response, used as ambient thermometer, unit firmware 2329-700 or higher)	± 2°C between -20° C to +30° C	± 2°C between -20° C to +30° C

Outputs	WindMaster/WindMaster RA	WindMaster Pro
Digital Outputs	RS232, RS422, RS485 (WindMaster Networking)	
Baud Rates	2400 – 57600	
Protocols	ASCII, Binary	
Data Output	0.25, 0.5, 1, 2, 4, 8, 10, 16, 20, (32 option) Hz	0.25, 0.5, 1, 2, 4, 8, 10, 16, 20, 32 Hz
Analogue outputs (optional) 4 channels Selectable range Output type	Resolution 12 or 14 bit User selectable full scale wind speed 0-20 mA, 4-20 mA, 0-5V, 5V, 2.5V	Resolution 14 bit User selectable full scale wind speed 0-20 mA, 4-20 mA, 0-5V, 5V, 2.5V
Analogue inputs (optional) Up to 4 single-ended or 2 differentials Input Range ±5 V	Resolution 12 or 14 bit	Resolution 14 bit, plus, PRT 100ohm (option)

Power Supply	
Input voltage	9 -30 V dc
Current at 12v	55 mA @ 12 V dc (Excluding analogue outputs)

PRT (Optional)	WindMaster/WindMaster RA	WindMaster Pro
Resolution	Not Applicable	0.1°C
Measurement Accuracy	Not Applicable	<±0.1°C (-40 to +50°C) <±0.15°C (+50 to +70°C)

Software	
Wind	Configuring & monitoring
WindView	Monitoring & logging

General Information	WindMaster/WindMaster RA	WindMaster Pro
Dimensions	750mm x 240mm (1590-PK-020/W) 580mm x 323mm (1590-PK-130/W)	750mm x 240mm (1561-PK-020/W)
Weight	1.0kg (1590-PK-020 /W) 1.0kg (1590-PK-130/W)	1.7kg (1561-PK-020 /W)
Operating Temperature	-40°C to +70°C	
Humidity	< 5 % to 100 %	
EMC	Emissions BS EN 61000 - 6 - 3 Immunity BS EN 61000 - 6 - 2	
Precipitation	Operation up to 300 mm / hour	
Humidity	< 5 % to 100 %	
Protection Class	IP65	



## Appendix B - Cable Assembly



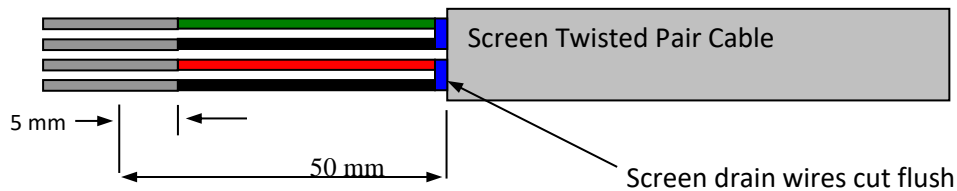
### Preparation

Open the pack of connector parts (1561-PK-050) provided with the WindMaster range unit.

Note that the connector supplies the correct strain relief for cables with an outside diameter of 6-12mm.

Trim back the screened cable outer and screen sleeves 50mm.

Strip back the insulated connection wires by 5mm.



### Soldering Contacts.

Note that the supplied size 20 contacts (Souriau CM10SC10MQ) are suitable for wire gauges 20 AWG to 24 AWG.

Tin solder the stripped wires.

Solder the contact pins to the wires.

### Crimping Contacts.



That the supplied size 20 contacts (Souriau CM10SC10MQ) are suitable for wire gauges 20 AWG to 24 AWG.

Example crimp tools are:-

Daniels Manufacturing Corporation Tool AF8 and Turret TH1A.

[https://stage.dmctools.com/oscar/catalogue/af8-th1a\\_276/](https://stage.dmctools.com/oscar/catalogue/af8-th1a_276/)

or

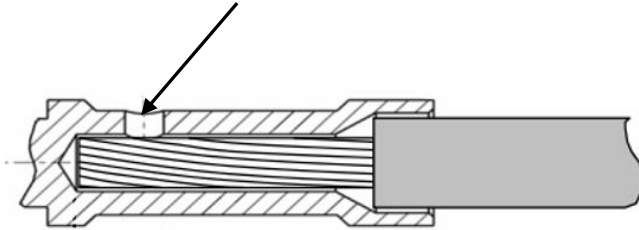
Astro Tool Corporation Crimp tool 615708 and Turret 615709.

<https://www.astrotool.com/products/615708-m22520-1-01-crimping-tool-dmc-af8/>

<https://www.astrotool.com/products/615709-m22520-1-02-turret-head-dmc-th1a/>

Lightly twist the stripped wires (do not solder the wires).

Insert the wire into the supplied contact barrel and ensure that it can be seen through the contact inspection hole.



With the crimp tool fully open place the contact and wire into the crimp tool barrel.

Fully close the crimp tool allowing it to re-open on its own.

Visibly check that the wire is visible through the inspection hole.

### Connector Assembly.

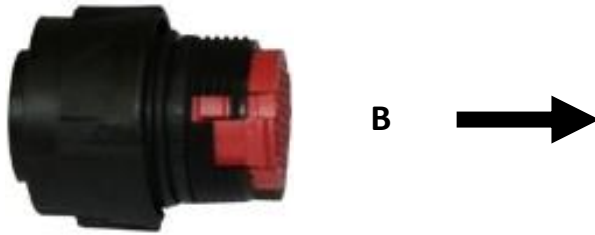
Put the parts on the cable in the order as shown below.

Put the parts on the cable in the order as shown below.



Whilst squeezing the red retainers in the direction of ARROW A, pull in the direction of ARROW B.





Your connector should now resemble the connector in the picture above.

Insert each contact pin until you feel a slight click. If you have inserted the contact into the incorrect hole, it can be removed at this point by simply pulling it out. Please note there will be some resistance.



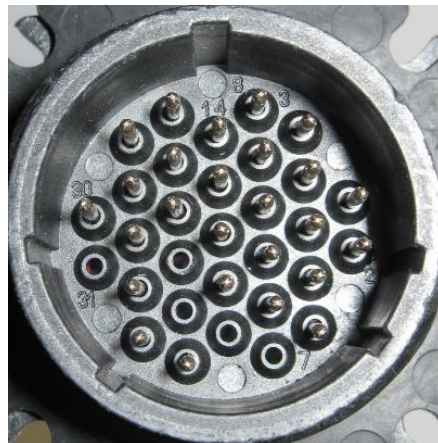
Continue to insert all the contacts you require in accordance with the diagram below.

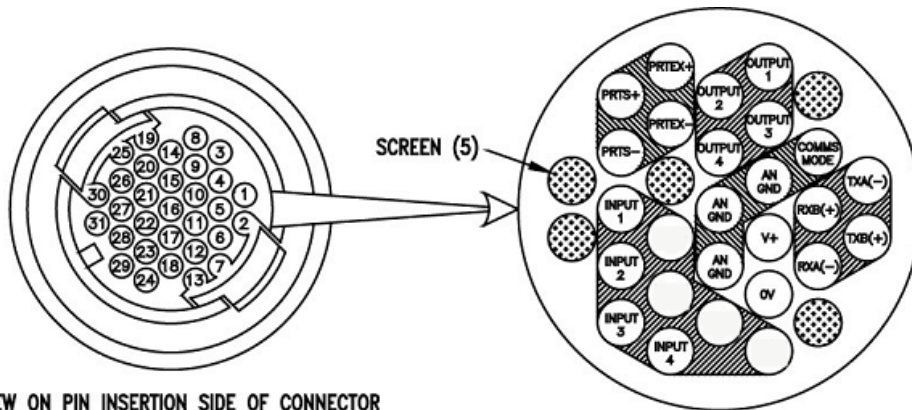
### Connector Pin & Conductor positions.

Supplied WindMaster Connector



WindMaster Base socket





VIEW ON PIN INSERTION SIDE OF CONNECTOR

The drawing above shows the pin positions of the wire conductors, together with position of conductor screens. This information must be used in conjunction with the information shown in Para 4.6 connections. If the PRT option is selected, you may have to sacrifice two analogue inputs or outputs.

Once all of the contacts are inserted squeeze together red retainers and push the red retainer down into place.



The retainer can only be pushed back into place if the contacts are fully engaged.

Fit the connector to the WindMaster base so that you can now finish assembling the connector.

Screw the back-shell onto the connector until it is fully in place. Please note that the final rotations can be slightly stiff.



Screw the cable clamp into the back shell





Now screw the cable-clamping nut into place

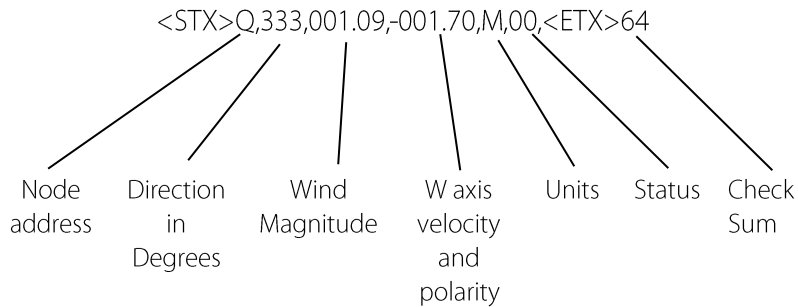


The connector can now be removed from the WindMaster.

## Appendix C - WindMaster Default Setup

### Mode 2 – ASCII, Polar, Continuous

#### ASCII, Polar+W, Continuous,



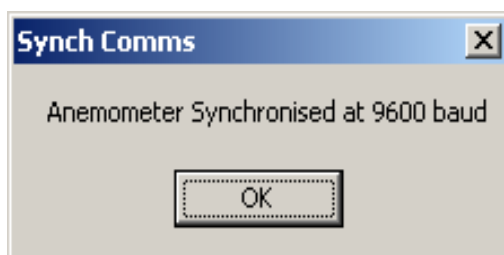
Format for software configuring is:-

`<STX><ID>,DDD,MMM.MM,±WWW.WW,U,SS,<ETX>CC<CR><LF>`

Where:

- `<STX>` - Start of string character (ASCII value 2)
- `<ID>` - Anemometer Identification (A-Z)
- `DDD` - Direction in degrees
- `MMM.MM` - Wind Magnitude
- `±WWW.WW` - 'W' axis velocity  $0.01\text{ms}^{-1}$  units
- `U` - Units (M=m/s, N=knots, P=mph, K=kph)
- `SS` - Status data (Codes 00 to 0B)
- `<ETX>` - End of string character (ASCII value 3)
- `CC` - Checksum of all Characters between `<STX>` and `<ETX>` (HEX byte)
- `<CR><LF>` - Carriage Return and Line Feed





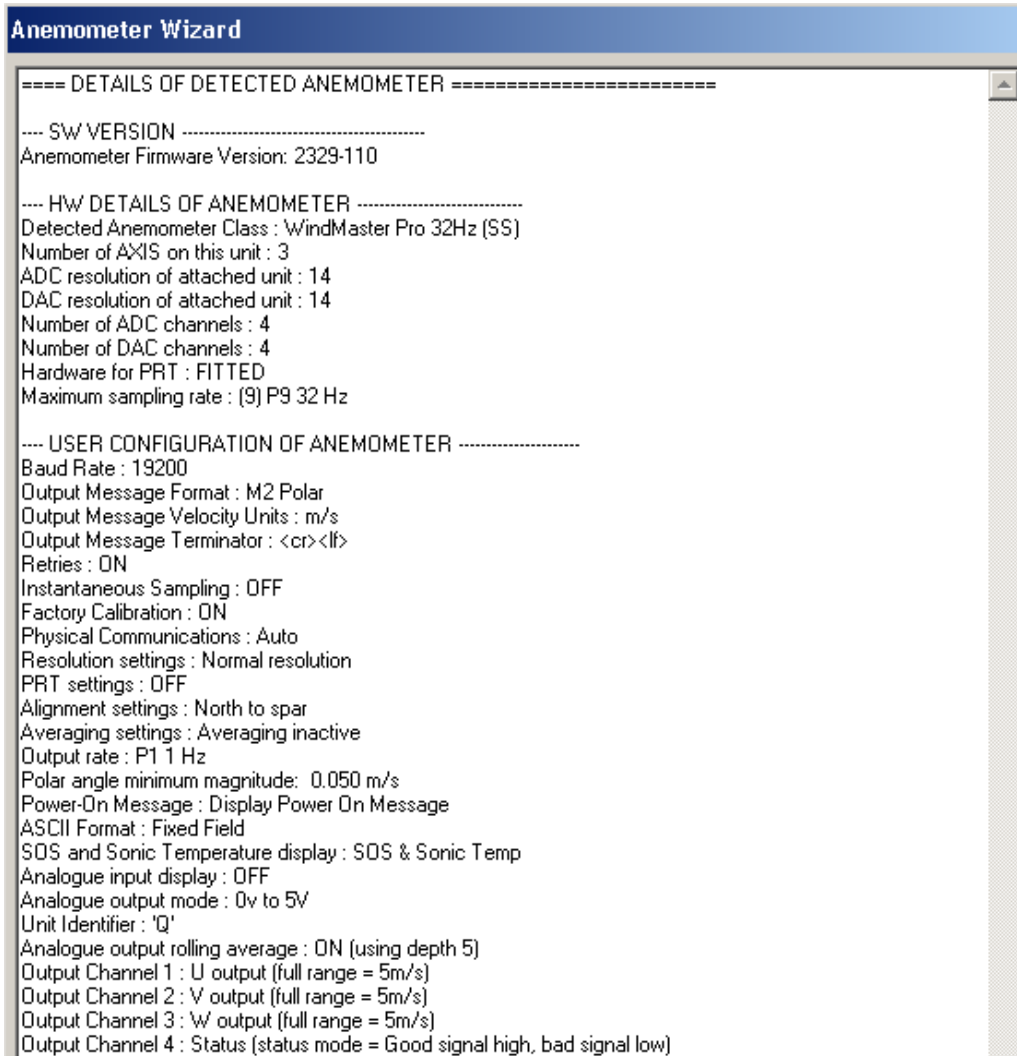
If after Synch Comms there is still a problem with start-up, switch power to anemometer off and then on again and repeat procedure.

The WindMaster is set to factory default 1 Hz output and in Polar mode. A typical message format after Synchronising Comms is shown below:

```
WindMaster Pro 32Hz (SS) Gill Instruments Ltd
2329-110
RS232 (AUTO)
CHECKSUM ROM:9B50 9B50 *PASS*
CHECKSUM FAC:07BC 07BC *PASS*
CHECKSUM ENG:1E58 1E58 *PASS*
CHECKSUM CAL:3891 3891 *PASS*
00,061,000.12,+000.06,M,+345.83,+023.77,00,00
00,061,000.14,+000.05,M,+345.87,+023.83,00,07
00,064,000.13,+000.05,M,+345.87,+023.83,00,05
00,065,000.12,+000.06,M,+345.89,+023.87,00,0C
00,062,000.13,+000.06,M,+345.83,+023.77,00,0F
00,067,000.13,+000.06,M,+345.86,+023.82,00,05
00,067,000.15,+000.05,M,+345.89,+023.87,00,0A
00,068,000.13,+000.05,M,+345.78,+023.68,00,0C
00,073,000.13,+000.06,M,+345.84,+023.78,00,07
```



If you need to review your instrument settings click **Tools** and **Report config** in the tool bar.  
When selected a similar message to that below will be displayed.



To change the WindMaster configuration click **Tools** and **Wizard** in the tool bar  
Typical screens are shown below. It is possible to adjust all the settings as required taking into account the options selected at time of order (e.g., Analogue inputs and PRT).

**Anemometer Wizard**

Message Output Format

Baud Rate

Output Rate

Message Terminator

Measurement Units

---

Alignment

Averaging (0 = Off)

Resolution

Minimum direction Resolution

**Anemometer Wizard**

SOS/Sonic Temp Display

Display Analogue Inputs

Analogue Output Mode

PRT setting

---

Unit Identifier

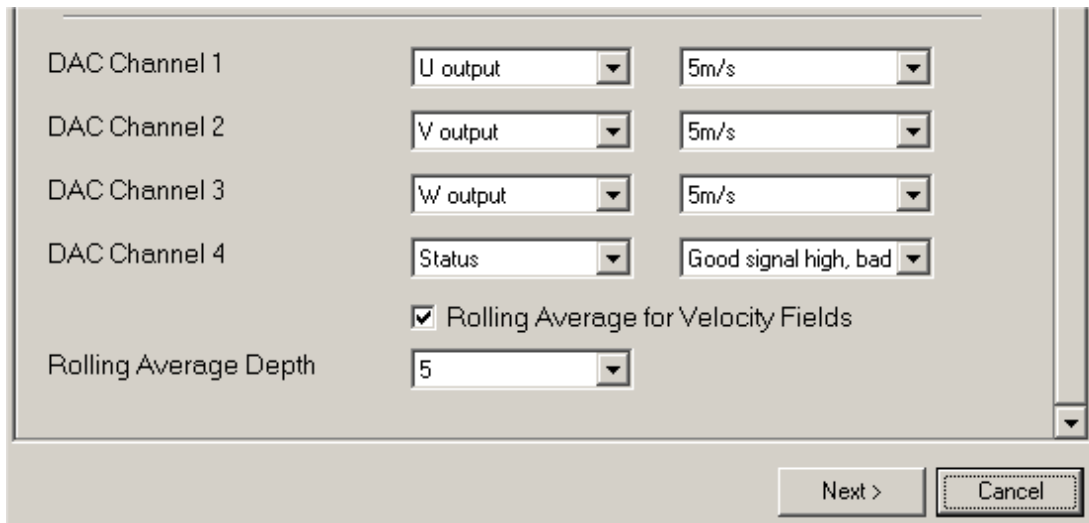
Power on Message

Retries Enabled

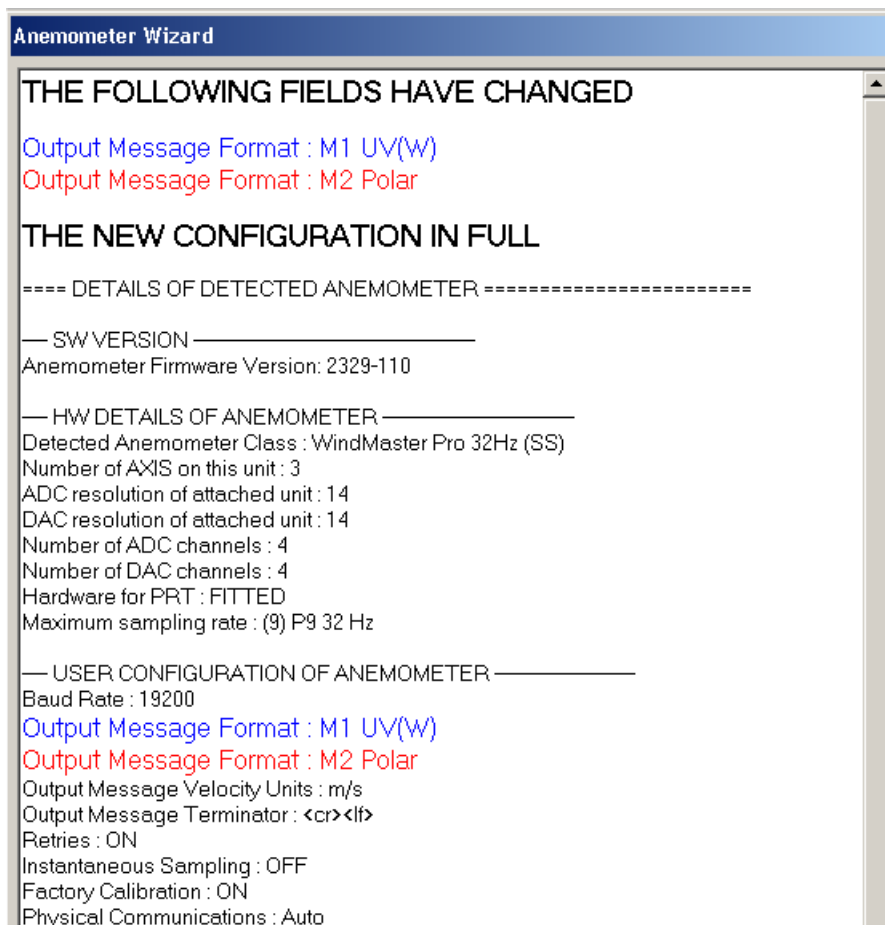
Instantaneous Sampling

Calibration Enabled

ASCII Format



When the changes are complete the Wizard will display a confirmation of the changes with all changes shown in red, this can be saved for future reference if required. Click next and the WindMaster will be re-configured and will return to measurement mode.



## Configuring WindMaster using a Terminal Program.



### Setting up

It is possible to configure the WindMaster using a terminal package (for example, TeraTerm or puTTY).

Open the terminal package and adjust the Port settings to match WindMaster settings. WindMaster default settings are :

**Bits per second** 19200  
**Data bits** 8  
**Parity** None  
**Stop bits** 1  
**Flow Control** (Handshaking) None

Assuming the WindMaster has been correctly connected to the PC and a Power Supply, the opening menu will show the WindMaster in **Measurement mode** and scroll continuous wind information data.

### Entering Configuration mode

**From Continuous mode**

`*`

**From Polled mode**

`*N`

where N is the Unit identifier (a letter between A and Z)

The WindMaster responds with a CONFIGURATION MODE message, stops reporting wind measurements, and waits for a command (as detailed below).

To exit configuration mode without making any changes, enter the following command:

`Q` `ENTER`

The WindMaster responds with wind measurements immediately when in Continuous mode, or on receipt of a Poll signal when in Polled mode.

This will be followed by a checksum test and then continuous wind information is displayed in the example as follows (polar, continuous, all options on).

```
RS232 (AUTO)
```

```
CHECKSUM ROM:102D 102D *PASS*  
CHECKSUM FAC:0947 0947 *PASS*  
CHECKSUM ENG:1E0B 1E0B *PASS*  
CHECKSUM CAL:3891 3891 *PASS*
```

```
0Q,118.1,000.384,-000.992,M,+344.91,+022.19,00,+2.4181,+2.4187,+2.4162,+2.4175,-50.00C,71  
0Q,083.7,000.686,-001.240,M,+345.96,+023.99,00,+2.4181,+2.4187,+2.4162,+2.4175,-50.00C,79  
0Q,086.4,000.743,-001.273,M,+346.02,+024.09,00,+2.4181,+2.4187,+2.4162,+2.4175,-50.00C,77  
0Q,105.7,000.447,-000.988,M,+346.09,+024.21,00,+2.4181,+2.4187,+2.4162,+2.4175,-50.00C,76  
0Q,086.6,000.659,-001.124,M,+346.07,+024.18,00,+2.4181,+2.4187,+2.4162,+2.4175,-50.00C,7B  
0Q,086.5,000.474,-000.658,M,+346.03,+024.11,00,+2.4181,+2.4187,+2.4162,+2.4175,-50.00C,75  
0Q,090.0,000.470,-000.897,M,+346.03,+024.11,00,+2.4181,+2.4187,+2.4162,+2.4175,-50.00C,7E  
0Q,098.5,000.421,-000.997,M,+346.09,+024.21,00,+2.4181,+2.4187,+2.4162,+2.4175,-50.00C,7F  
0Q,096.0,000.339,-000.839,M,+346.11,+024.25,00,+2.4181,+2.4187,+2.4162,+2.4175,-50.00C,72  
0Q,106.5,000.258,-000.764,M,+346.19,+024.38,00,+2.4181,+2.4187,+2.4162,+2.4175,-50.00C,7A  
0Q,095.6,000.394,-001.061,M,+346.13,+024.28,00,+2.4181,+2.4187,+2.4162,+2.4175,-50.00C,7B  
0Q,110.6,000.335,-000.982,M,+346.04,+024.13,00,+2.4181,+2.4187,+2.4162,+2.4175,-50.00C,77  
0Q,110.4,000.399,-000.741,M,+345.99,+024.04,00,+2.4181,+2.4187,+2.4169,+2.4175,-50.00C,78
```

## Checking the configuration

We recommend that, as a standard procedure, you use this command prior to, and after, changing any settings. It shows the current settings for most of the alterable settings.

**D**

**D 3 ENTER**

The WindMaster responds with the current default settings. These are shown below:

**M2,U1,O1,L1,P1,B4,H1,NQ,E1,T1,S1,C2,A1,I1,J1,V1,X1,G0,K50**

We suggest you note down the settings, so that you can easily return to them.

Return to measurement mode **Q ENTER**

## Changing settings

To change a setting, refer to the sections below, and enter the command of the new setting required, followed by **ENTER**. If successful, the new setting will be sent back as a message by the WindMaster.

For example, to change the message format to UWW, Continuous, enter **M 1 ENTER**

The WindMaster will reply **M1**. When the unit is returned to the Measurement mode, it will be in UWW, Continuous format.



**The factory-set (default) settings are shown in bold in the following sections.**

## Command List

COMMAND	USER
A	SOS/Sonic Temp Output
B	Baud rate
C	Analogue angle wrapping
D	Diagnostic / Config info
E	Set Physical Comms
F	Signal Processing
G	For future use
H	Power on message
I	Disable/Enable analogue input
J	High/Low Resolution
K	Minimum Direction Velocity
L	Message Terminator
M	Message Format
N	Set Unit ID
O	Set ASCII format
P	Set output rate
Q	<b>MEASUREMENT MODE</b>
R	Not used

S	Analogue output range
T	Analogue output type & Config
U	Select Units
V	PRT output ON/OFF
W	Not Used
X	Axis Alignment
Y	Not Used
Z	Not used
*	INTERACTIVE MODE

Where the command is a single parameter command the notation is Dx, for example if the parameter x = 2 then in interactive mode the user would type "D2".

Where the Command is dual parameter e.g., Fx y, then x selects the parameter and y turns it on or off (Fx<space>y).

Typing just the command letter will cause the current settings to be output.



Warning: Certain combinations of output rate, baud rate and message type may be unsupported.

## Ax – Select SOS/Sonic Temp output

- 1 **Neither**
- 2 SOS
- 3 Sonic Temp
- 4 Both

The SOS and/or Sonic Temp are displayed after the UNITS and before the status byte, the SOS is always in m/s and the Sonic Temp is always in deg C.

## Bx – Set Baud rate

- 1 2400
- 2 4800
- 3 9600
- 4 **19200**
- 5 38400
- 6 57600

If a request is sent to change the Baud rate, before it changes it must be confirmed by entering B ENTER at the new Baud rate.

E.g. If set to B3 (9600 baud), to change to B5 (38400 baud), enter B 5 ENTER, change host terminal to 38400 baud, and confirm by entering B ENTER.



A random echo may be generated after the B confirmation request is sent by the WindMaster.

Certain combinations of output rate, baud rate and message type may be unsupported.

## Cx – Analogue output polar direction wrapping

- |   |   |
|---|---|
| 1 | 540-degree wraparound on analogue output        |
| 2 | <b>360-degree wraparound on analogue output</b> |

## Dx – Diagnostic and configuration information

- |   |                                  |
|---|----------------------------------|
| 1 | Request serial number            |
| 2 | Request SW version               |
| 3 | Request current configuration    |
| 4 | -                                |
| 5 | -                                |
| 6 | -                                |
| 7 | Report DAC channel configuration |

Request Current Configuration

D3

M2,U1,O1,L1,P1,B4,H1,NQ,E1,T1,S1,C2,A1,I1,J1,V1,X1,G0,K50

Report DAC Channel Configuration.

D7

DAC CHAN 01, MODE 05, CONFIG 02

DAC CHAN 02, MODE 09, CONFIG 01

DAC CHAN 03, MODE 04, CONFIG 01

DAC CHAN 04, MODE 08, CONFIG 01

Where:-

Mode 01 = DAC Channel Off.

Mode 02 = U Magnitude Output.

Mode 03 = V Magnitude Output.

Mode 04 = W Magnitude Output.

Mode 05 = Polar Angle Output.

Mode 08 = Status (Good/Bad).

Mode 09 = Polar Magnitude Output.

and Configuration code for Mode 08 equates to good/bad status setting.

Config 01 = Good is high output level, Bad is low level.

Config 02 = Good is low output level, Bad is high level.

and Configuration codes for Modes 02, 03, 04, and 09 equate to scale setting:-

Config 01 = 5m/s

to

Config 08 = 120m/s

and Configuration code for Mode 5 equates to angle wrapping where:-

Config 01 = 540° wraparound.

Config 02 = 360° wraparound.



## Ex Set Physical Communications

1	AUTO
2	485
3	232

It is recommended to leave the unit in AUTO mode. This can also be overridden from RS232 to RS422/485 by: -

On 31-way connector units without a Pipe Mount Box link the comms line to V+ for RS232 or to 0V for RS422/485.

On units fitted with a Pipe mount box if the link in the box is in its default position (see page 18) then the above external link connections apply.

On a unit fitted with a Pipe Mount box the internal link in the box may be moved to set R232 and RS422/RS485 operation (see section 4.6.2). If the link is moved from its default position, then an external wire link should not be used.

If a unit is set for E3 and required to be set back to E1 then with a terminal connection established go into Configuration Mode, Type E1 and Press Enter. Then Type E and Press Enter. Type Q and press Enter to go back into measurement mode.

## Fx y Signal Processing

Signal	x	Space	y
Retries Off	1		0
<b>Retries On</b>	<b>1</b>		<b>1</b>
<b>Instantaneous Sampling Off</b>	<b>2</b>		<b>0</b>
Instantaneous Sampling On	2		1
Calibration Off	3		0
<b>Calibration On</b>	<b>3</b>		<b>1</b>

### **Retries Enabled.**

WindMaster Default setting is ON.

Enabled – If this mode is selected, if a problem sample is detected, the unit will attempt another ultrasonic firing within the set time parameters.

Disabled – The unit will not attempt to re-check problem samples.

## **Instantaneous Sampling**

Default is OFF.

Enabled – The WindMaster can be configured to output the sampled data direct at the selected output rate without any averaging -"Instantaneous Sampling". If for example the sensor is set for 1Hz output rate, then the unit will undertake one set of transducer firings and output the result after the 1 second period.

Disabled – Alternatively data can be sampled at 20Hz or 32Hz and averaged. This applies for wind data and speed of sound. All samples are transmitted with a status code.

If the sensor is for example set to 1 Hz output rate, then the unit will undertake a full set of firings (at 20 Hz or 32Hz) and output the average result of them after the 1-second period.

## **Calibration Enabled**

Default is ON.

Enabled – Generic data based on that collected during wind tunnel testing is programmed into an internal calibration table that is used to compensate for turbulence created around the spars and transducers.

Disabled – Turns off the calibration table data, there is no adjustment to account for turbulence around the spars and transducers and returns the unit to raw uncorrected operation.

## **Gx - NA**

### **Hx – Enable/Disable power on message**

- |          |                                 |
|----------|---------------------------------|
| <b>1</b> | <b>Power on message enabled</b> |
| <b>2</b> | Power on message disabled       |

If the power up message is On, then a message similar to that below is output, whenever the unit goes into Measurement mode (i.e., when power is first applied to the unit, or the unit returns to Measurement mode from Configuration mode).

WindMaster Pro 32Hz (SS) Gill Instruments Ltd

2329-700

RS232 (AUTO)

CHECKSUM ROM:9B50 9B50 \*PASS\*

CHECKSUM FAC:07BC 07BC \*PASS\*

CHECKSUM ENG:1E58 1E58 \*PASS\*

CHECKSUM CAL:3891 3891 \*PASS\*

If any of these checksums fail, the word PASS will be replaced by FAIL and the unit will use its default settings. If the checksum repeatedly fails after power on – contact your supplier.

## Ix – Enable/Disable analogue input message (option dependent)

- |          |   |
|----------|---|
| <b>0</b> | <b>Analogue input data off</b>                    |
| 1        | Analogue input data on                            |
| 2        | Analogue inputs set for 2 Differential Mode pairs |

## Jx – Set the unit Resolution

- |          |   |
|----------|---|
| <b>1</b> | <b>Select Normal Resolution</b> , 2 decimal point readings) |
| 2        | Select High Resolution, 3 decimal point readings)           |

J2 High resolution is applicable to Wind Speed and Wind direction for Metres/sec setting only.

## Kx – Set the Minimum Direction Velocity

- |   |                                   |
|---|-----------------------------------|
| <b>50</b>   | <b>Minimum direction velocity</b> |
| 0 to 5000 Select minimum direction velocity (in 0.001m/s steps) |                                   |

## Lx – Message Terminator

- |          |                             |
|----------|-----------------------------|
| <b>1</b> | <b>&lt;CR&gt;&lt;LF&gt;</b> |
| 2        | <CR>                        |

## Mx – Message Format

- |          |                      |
|----------|----------------------|
| 1        | UWV                  |
| <b>2</b> | <b>Polar</b>         |
| 3        | UWV Polled           |
| 4        | Polar Polled         |
| 7        | Binary, Polar, Short |
| 8        | Binary, UWV, Short   |
| 9        | Binary, Polar, Long  |
| 10       | Binary, UWV, Long    |

## Nx – Set unit ID

Sets the unit ID displayed at the start of all GILL communications strings

Set **Q (default)**, ...from A to Z      Command N<Q>

## Ox – Set ASCII output format

- 1 Comma Separated Variable (CSV) format
- 2 Fixed field

Example string for CSV data changing to an error status code condition.

```
Q,335.3,001.261,-001.282,M,+345.41,+023.05,00,+2.4181,+2.4181,+2.4162,+2.4175,-50.00C,78  
Q,,,,M,,,07,+2.4181,+2.4187,+2.4162,+2.4175,-50.00C,72
```

Example string for Fixed Field data changing to an error status code condition.

```
Q,251.7,000.860,-000.401,M,+346.43,+024.80,00,+2.4181,+2.4187,+2.4169,+2.4175,-50.00C,7F  
Q,999.9,999.999,+999.999,M,+999.99,+999.99,07,+2.4181,+2.4187,+2.4169,+2.4181,-50.00C,77
```

## Px – Set output rate



The P9 setting is an option on the WindMaster unit, which must be specified at the time of ordering.

- 18 Rate is 1 Hz (20Hz Sampling)
- 19 Rate is 2 Hz (20Hz Sampling)
- 20 Rate is 4 Hz (20Hz Sampling)
- 21 Rate is 5 Hz (20Hz Sampling)
- 22 Rate is 8 Hz (32Hz Sampling)
- 23 Rate is 10 Hz (20Hz Sampling)
- 24 Rate is 16 Hz (32Hz Sampling)
- 25 Rate is 20 Hz (20Hz Sampling)
- 26 Rate is 32 Hz (32Hz Sampling)
  
- 20 Rate is ¼ Hz
- 21 Rate is ½ Hz

## Sx – Analogue output range (option dependent)

This sets the velocity scaling for the analogue output. (See also Para 7.5).

- 1 Full range is 5m/s
- 2 Full range is 10m/s
- 3 Full range is 20m/s
- 4 Full range is 30m/s
- 5 Full range is 40m/s
- 6 Full range is 50m/s
- 7 Full range is 60m/s
- 8 Full range is 120m/s

## Tx – Set analogue output type (option dependent)

Use Gill Wind Software to set required ranges

- |   |                       |
|---|-----------------------|
| 1 | <b>0V to 5V range</b> |
| 2 | –2.5V to 2.5V range   |
| 3 | 4mA to 20mA range     |
| 4 | –5V to 5V range       |
| 5 | 0mA to 20mA range     |

## Ux – Set units

- |   |            |
|---|------------|
| 1 | <b>m/s</b> |
| 2 | Knots      |
| 3 | MPH        |
| 4 | KPH        |
| 5 | FPM        |

## Vx – Enable/Disable PRT

- |   |            |
|---|------------|
| 1 | <b>OFF</b> |
| 2 | ON         |



PRT not available as an option for the WindMaster.

## Xx – Axis Alignment

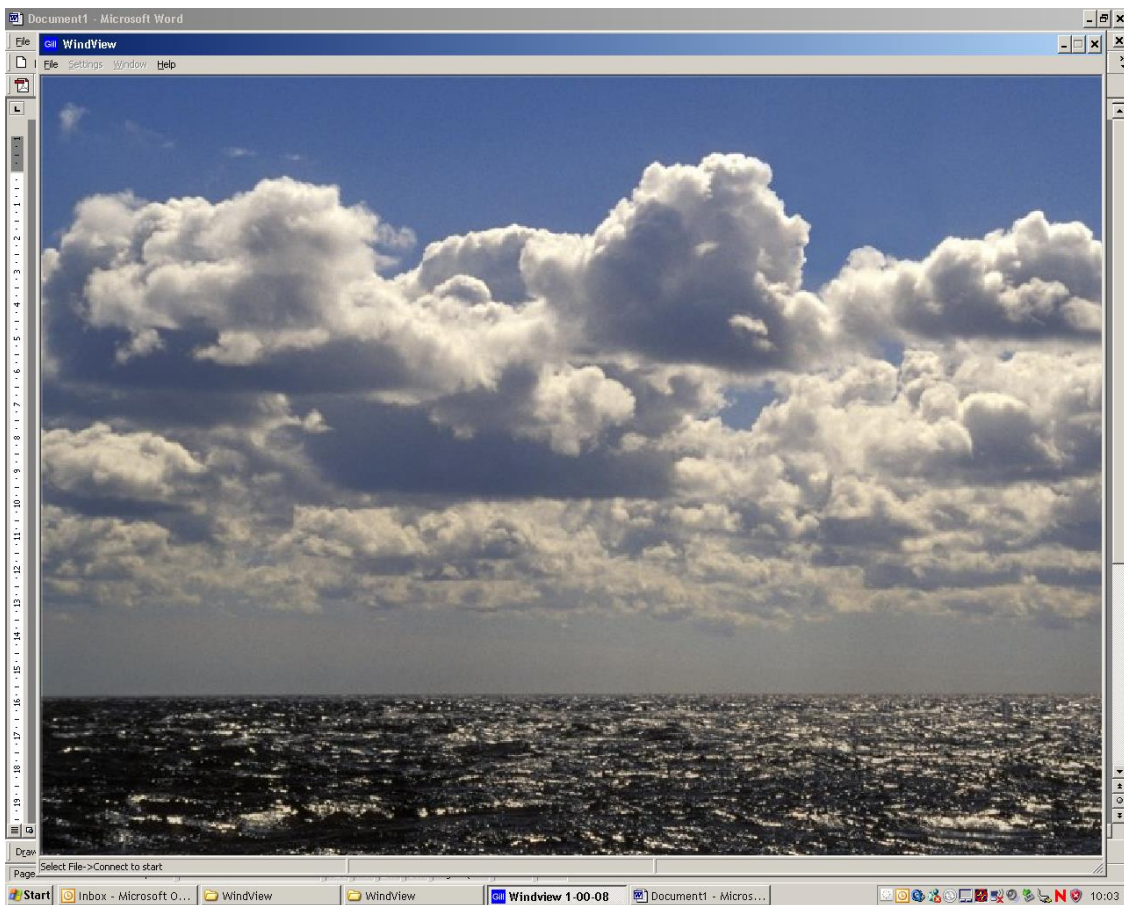
- |   |   |
|---|---|
| 1 | <b>Align U Axis to unit North Spar (See Fig 2).</b> |
| 2 | Align U to the top axis transducer 1                |
| 3 | Same as X1 but inverted for upside down operation   |
| 4 | Same as X2 but inverted for upside down operation   |

## Appendix E - Viewing and logging WindMaster Data using Gill WindView Software

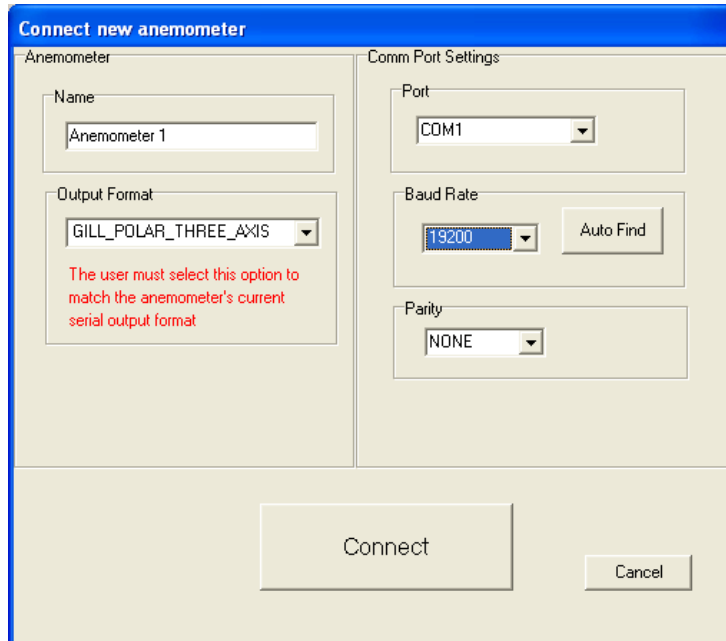


WindView can be downloaded from:- <http://gillinstruments.com/main/software.html>

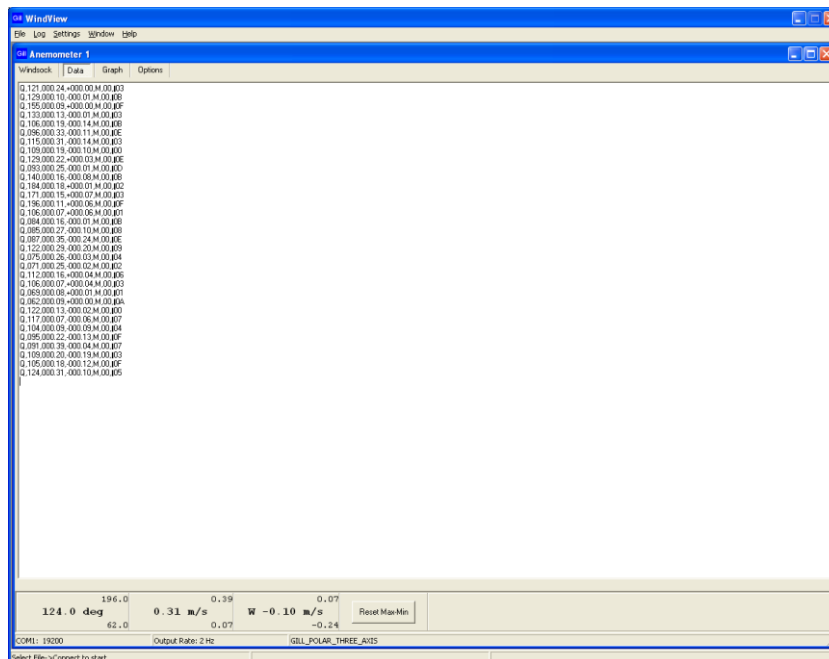
Open WindView and Select File/Connect.



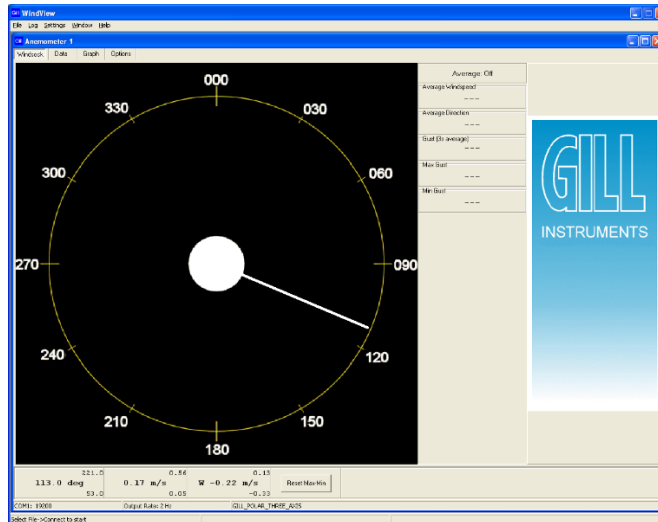
Select appropriate connection COM Port number and instrument Baud rate.  
Select output format UV or Polar to match the WindMaster setting.



WindMaster 3 axis data will scroll on screen at the instruments output rate (2Hz shown).



Click on the WindSock tab to see a graphical display of wind.



## To Start Logging Data

Note: If logging fast data of 20Hz or more ensure that the WindMaster is set for at least 38400 Baud.

From the top menu click on Settings/Logging.

If segmented logging files are required tick Enable and set the time for creating each log file.

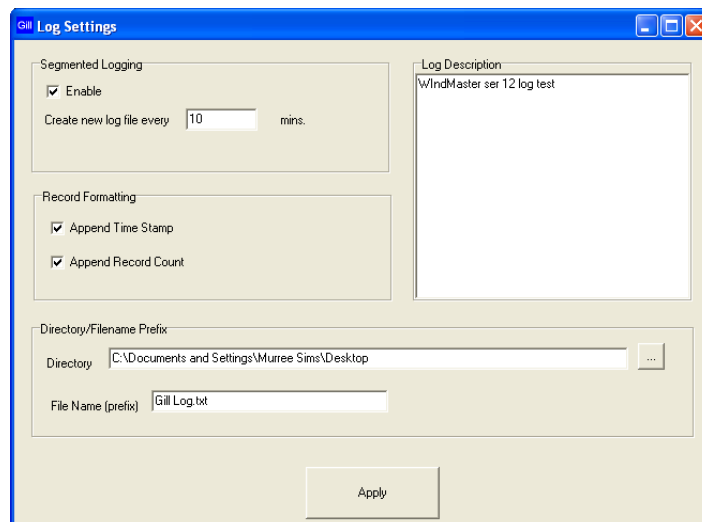
Append Time stamp/Append record count as required

A free text field is available for logging comments.

Select a file directory and Name

Click on Apply.

Follow Note instruction to start logging on the top Menu Select File/Log/Start.





## To Stop Logging Data

When logging is required to stop go to the Top menu, Select File/Log/Stop.

A typical logged Notepad file is as follows (WindMaster set for 2Hz output rate):-

```
Gill Log [Anemometer 1]-1.txt - Notepad
File Edit Format View Help
windview - [Anemometer 1] Log File
WindMaster ser 12 log test
Name: Anemometer 1
Output Format: GILL_POLAR_THREE_AXIS
Log file opened: 07/05/2010 15:42:17

Q,050,000.28,-000.21,M,00,00D,1,07/05/2010 15:42:18
Q,088,000.43,-000.19,M,00,00E,2,07/05/2010 15:42:18
Q,123,000.37,-000.13,M,00,007,3,07/05/2010 15:42:19
Q,121,000.32,-000.15,M,00,006,4,07/05/2010 15:42:19
Q,087,000.30,-000.19,M,00,005,5,07/05/2010 15:42:20
Q,099,000.38,-000.23,M,00,00B,6,07/05/2010 15:42:20
Q,109,000.32,-000.10,M,00,009,7,07/05/2010 15:42:21
Q,143,000.30,-000.07,M,00,003,8,07/05/2010 15:42:21
Q,149,000.24,-000.07,M,00,00C,9,07/05/2010 15:42:22
Q,155,000.20,-000.06,M,00,004,10,07/05/2010 15:42:22
Q,182,000.16,-000.14,M,00,008,11,07/05/2010 15:42:23
Q,190,000.16,-000.11,M,00,00E,12,07/05/2010 15:42:23
Q,172,000.06,-000.12,M,00,000,13,07/05/2010 15:42:24
Q,246,000.07,-000.06,M,00,000,14,07/05/2010 15:42:24
Q,219,000.17,-000.01,M,00,00C,15,07/05/2010 15:42:25
Q,202,000.16,+000.04,M,00,004,16,07/05/2010 15:42:25
Q,245,000.05,+000.03,M,00,002,17,07/05/2010 15:42:26
Q,193,000.13,+000.12,M,00,00D,18,07/05/2010 15:42:26
Q,181,000.26,-000.03,M,00,00E,19,07/05/2010 15:42:27
Q,152,000.06,-000.12,M,00,002,20,07/05/2010 15:42:27
Q,065,000.10,-000.21,M,00,000,21,07/05/2010 15:42:28
Q,249,000.12,-000.12,M,00,00E,22,07/05/2010 15:42:28
Q,223,000.17,-000.04,M,00,000,23,07/05/2010 15:42:29
Q,241,000.20,+000.03,M,00,001,24,07/05/2010 15:42:29
Q,244,000.19,+000.02,M,00,00F,25,07/05/2010 15:42:30
Q,227,000.16,+000.01,M,00,006,26,07/05/2010 15:42:30
```

## Appendix F - Status (error) Codes

The Status code is sent as part of each wind measurement message.

Code	Status	Condition
<b>00</b>	<b>OK</b>	<b>Functioning correctly</b>
01	Sample failure	Insufficient samples in average period from transducer pair 1
02	Sample Failure	Insufficient samples in average period from transducer pair 2
03	Sample Failure	Insufficient samples in average period from transducer pair 3
04	Sample Failure	Insufficient samples in average period from transducer pairs 1,2
05	Sample Failure	Insufficient samples in average period from transducer pairs 1,3
06	Sample Failure	Insufficient samples in average period from transducer pairs 2,3
07	Sample Failure	Insufficient samples in average period from all transducer pairs
08	NVM Error	NVM Checksum failed
09	ROM Error	ROM checksum failed
0A	System gain at Maximum	Results OK, but marginal operation
0B	Retries	Retries used

## Appendix G - Maintenance & Fault-Finding

### Cleaning

If there is any build-up of deposit on the unit, it should be gently cleaned with a cloth moistened with water and mild detergent. Solvents should not be used, and care should be taken to avoid scratching any surfaces. The unit must be allowed to defrost naturally after being exposed to snow or icy conditions.



**Do NOT** attempt to remove ice or snow with a tool.

### Servicing


There are no moving parts or user-serviceable parts requiring routine maintenance.

Opening the unit or breaking the security seal will void the warranty and the calibration.

In the event of failure, prior to returning the unit to your authorised Gill distributor, it is recommended that:

1. All cables and connectors are checked for continuity, bad contacts, corrosion etc.
2. A bench test is carried out as described in Appendix H
3. You contact your supplier for advice

### Fault-finding

Symptom	Solution
No output	<p>Check DC power to WindMaster, cable and connections.</p> <p>Check comms settings of WindMaster (<i>as detailed in Appendix D</i>) and host system match, including correct Com port. Try using Gill Wind Software/Tools/Synch Comms</p> <p>Check unit is in Continuous mode</p> <p>Check that in-line communication devices are wired correctly.</p> <p> It is usual for Anemometer TX to be connected to converter device RX</p>
Corrupted output	<p>Check Comms settings of WindMaster and host system match.</p> <p>Try using Gill Wind Software/Tools/Synch Comms</p> <p>Try a slower baud rate.</p> <p>Check cable lengths and type of cable.</p>
One way communication	<p>Check WindMaster and host system are both set to the same protocol RS232, RS422, or RS485.</p> <p>Check wiring is in accordance with the manual.</p>
Failed / Incorrect WindMaster output, data invalid flag	<p>Check that transducer path is not blocked</p>

## Appendix H – Tests

### Bench Test

- Couple the WindMaster to the host system and power supply, using a known working test cable.
- Check that the unit is correctly configured Appendix D
- Check for normal output data, and that the Status Code is OK – 00.
- If the status code is other than 00 or 0A, refer to Appendix F Status (error) codes.
- Use an office fan (or similar) to check that the unit is sensing wind, turning the unit to simulate changing wind direction and to check that all three axes are functioning.



This a quick functional test. There are no calibration adjustments. *Page 81.*



*Refer to Dx – diagnostic and configuration information for further self-tests*



## Head Alignment Test

A test is available that allows a Transducer Path Alignment test (D6) to be undertaken and that factors in room temperature.

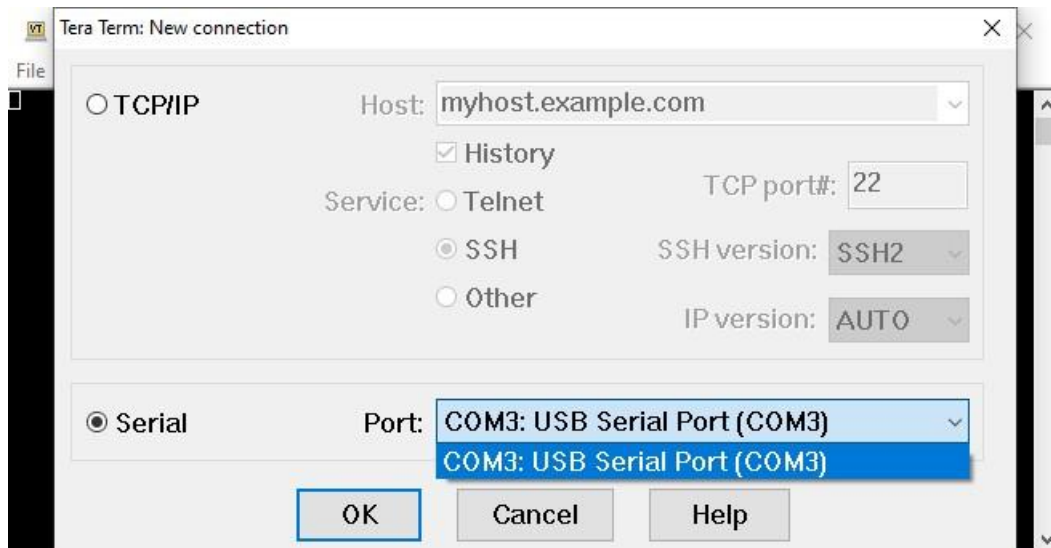
**NOTE 1:** The maximum room test temperature is +22 deg C (minimum +14 degrees C).

**NOTE 2:** The test should be performed in a zero-wind environment or as near as possible.

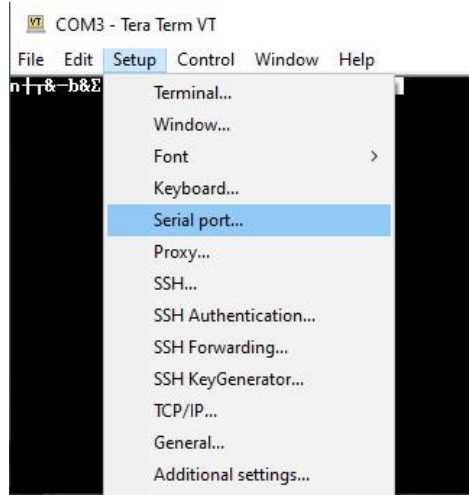
### Setting up a WindMaster with Tera Term or equivalent Terminal Program.

Connect WindMaster (set/wired for RS232 or RS422/232/USB convertor in line) to the PC. Then open Tera Term as follows: -

Select Serial and required port number. Click on OK.



Left click SETUP and use the drop-down menu to select 'SERIAL PORT'.



On the following screen.

Set Bits per second drop down menu to the appropriate WindMaster baud rate setting e.g. 19200 bauds is the default WindMaster setting.

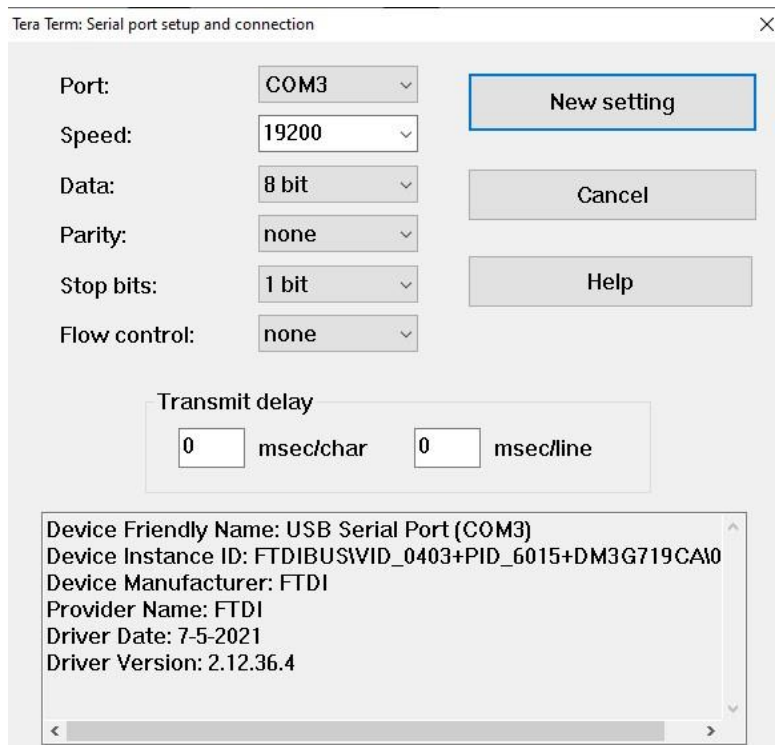
Set Data Bits to 8.

Set Parity to None.

Set Stop Bits to 1.

Set Flow Control to None.

Click on OK



The WindMaster should be outputting data as per the following screen.



If strange characters or garbled data is observed in the data string, try opening Tera Term and selecting a different Baud rate (or connect the WindMaster in Wind to determine the Baud rate).

```
VT COM3 - Tera Term VT
File Edit Setup Control Window Help
WindMaster Pro 32Hz <SS> Gill Instruments Ltd
2329-701-01
RS485 <AUTO>
CHECKSUM ROM:18AD 18AD *PASS*
CHECKSUM FAC:09B4 09B4 *PASS*
CHECKSUM ENG:2918 2918 *PASS*
CHECKSUM CAL:38C4 38C4 *PASS*
Q,131,000.57,-000.12,M,00.03
Q,146,000.32,+000.01,M,00.04
Q,141,000.35,+000.04,M,00.01
Q,133,000.44,-000.01,M,00.01
Q,128,000.58,-000.05,M,00.02
Q,132,000.44,+000.01,M,00.06
Q,142,000.34,-000.04,M,00.05
Q,132,000.41,-000.04,M,00.00
Q,136,000.41,-000.03,M,00.03
Q,146,000.33,+000.01,M,00.05
Q,135,000.42,-000.01,M,00.01
Q,132,000.46,-000.06,M,00.05
```

### To Communicate with the WindMaster:

Type \* (or hold down asterisk).

This will bring up the text CONFIGURATION MODE.

Type D1.

The unit will respond with the serial number.

Type D2.

The unit will respond with the Software version.

Type D3.

The unit will respond with the unit Configuration.

### D6 Test

Type D6 xx and then press Enter where xx is the temperature in deg C between the limits 14 to 22 deg C.

For example, if you have a room temperature of 21 deg C,

Type D6 21 and press Enter

Confirm that you get pass results as below, if Refer to Manual should still appear it is then likely that a path length is out of spec and the unit will need to be returned for investigation.

```
VT COM3 - Tera Term VT
File Edit Setup Control Window Help
Q,075,001.10,+000.55,M,00,05
CONFIGURATION MODE
D6
D6
1:28CE,286A
2:293A,28D6
3:28D5,2871
PATH 1:28A2 *PASS*
PATH 2:2917 *PASS*
PATH 3:28B3 *PASS*
GAIN 0:0000 *PASS*
GAIN 1:0000 *PASS*
GAIN 2:0000 *PASS*
GAIN 3:0000 *PASS*
GAIN 4:0000 *PASS*
GAIN 5:0000 *PASS*
CHECKSUM ROM:18AD 18AD *PASS*
CHECKSUM FAC:09B4 09B4 *PASS*
CHECKSUM ENG:2918 2918 *PASS*
CHECKSUM CAL:38C4 38C4 *PASS*
```

## Calibration



There are no in-use calibration adjustments; the unit is designed NOT to require re-calibration within its lifetime.

## Standard Calibration

Accuracy at 12 m/s

Wind speed 1.5% RMS

Direction 2°

## Certified Calibration

The unit can be Wind tunnel calibrated in accordance with ISO 16622 with traceability to national standards. This should be specified when ordering, or the unit can be returned to Gill Instruments for retrospective calibration.

Accuracy at 12 m/s

Wind speed 1% RMS

Direction 0.5



## Appendix I - Guarantee

For terms of guarantee contact your supplier or refer to the Gill Instruments Terms & Conditions here:

<https://gill.group/wp-content/uploads/Gill-Group-Company-Terms-Conditions-of-Sale-9170-0003-Issue-02-March-20...pdf>

Warranty is void if the green security seal covering base nuts is damaged or broken, or the transducer caps have been damaged.

**We represent this supplier.  
For more information contact  
Observator Instruments:**

**T: +31 (0)180 463411  
E: [info@observator.com](mailto:info@observator.com)**

Rietdekkerstraat 6  
2984 BM Ridderkerk  
The Netherlands

#### **Welcome to the world of Observator**

Since 1924 Observator has evolved to be a trend-setting developer and supplier in a wide variety of industries. Originating from the Netherlands, Observator has grown into an internationally

oriented company with a worldwide distribution network and offices in Australia, Germany, the Netherlands, Singapore and the United Kingdom.

[www.observator.com](http://www.observator.com)