



Suitable for sensor mounting, solar panel and control panel mounts

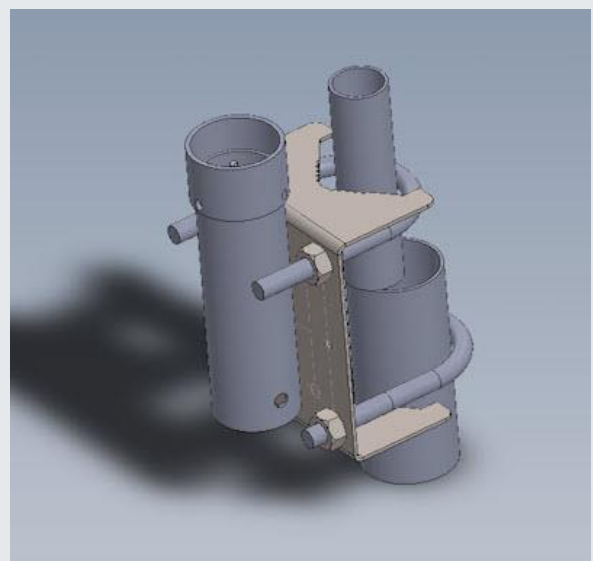
## Datasheet

# Sensor mounting fixtures and brackets

Observer is a solutions provider with years of experience in the development of custom monitoring and sensor solutions. To be able to supply these systems, we have to mechanically design and manufacture methods of deploying and mounting system components.

Included features and hardware:

- Unique brackets for pole mounted structures.
- Strong stainless-steel construction can be used in extremely windy installations to meet proper mechanical loadings.
- All structures are 3D modelled and tested for strength.
- Clamping systems that are flexible and fast to install.





## Welcome to the world of Observer

**Solutions beyond expectations. That's what sets Observer apart. We believe in taking the extra step. Retaining our competitive edge, through innovation and uncompromised support, are key to success. As an ISO 9001:2015 certified company, we apply the highest quality standards to our products and systems.**

Since 1924 Observer has evolved to be a trend-setting developer and supplier in a wide variety of industries. From instruments for meteorological and hydrological solutions, air and climate technology, to high precision mechanical production, window wipers and sunscreens for shipping and inland applications.

Solutions beyond expectations

Originating from the Netherlands, Observer has grown into an internationally oriented company with a worldwide distribution network and offices in Australia, Germany, the Netherlands, Singapore and the United Kingdom.

[www.observator.com](http://www.observator.com)