



Datasheet

OMC-6050 Chain Inclinatorometer

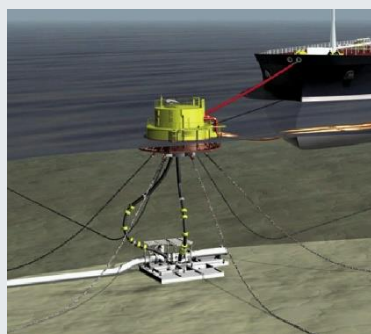
The anchor chain clinometer measures the angle of the anchor chains, which are used to put the position of a platform or loading facility reliable in a stationary position. The angle is important for the functionality of the anchor chains, so that the anchors will work most effective.

The mechanical clinometer is made of seawater resistant Stainless Steel, and the angle meter can function up to a depth of 50m below sea level. The clinometer is special made for a specific chain size (e.g. 3 1/2 inch chain). The clinometer is supplied in a pinewood transport case.

The OMC-6050 measures the angle of the mooring chains of platform. The units are made for a specific chain size.

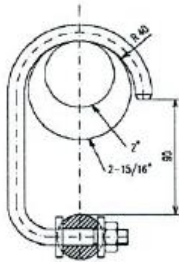
Features

- From 2 inch (50 mm) to 4 3/4 inch (121 mm)
- Material: Stainless Steel AISI 316L
- Angle indicator: dia 160 mm Odina filled, resolution 1 degree
- Suitable for use at 50 m water depth



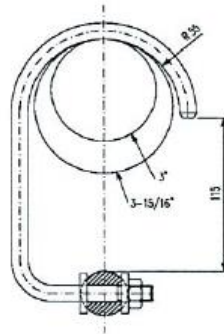
INCLINOMETER DIMENSIONS

FROM 2" TO 2 15/16 "



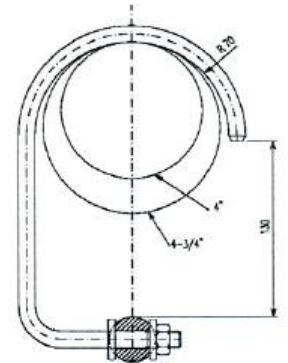
ANCHOR CHAIN IN INCH	ANCHOR CHAIN IN METRIC	COMMON LINK L	STUDLESS COMMON LINK L
2"	50	410	470
2-1/16"	52		
2-1/8"	54	435	
2-3/16"	55	460	
2-1/4"	57		
2-5/16"	58	490	
2-3/8"	60		
2-7/16"	62	515	
2-1/2"	64		
2-9/16"	65	535	
2-5/8"	66		
2-11/16"	68	565	
2-3/4"	70		
2-13/16"	71	590	
2-7/8"	73		
2-15/16"	74		

FROM 3" TO 3 15/16 "

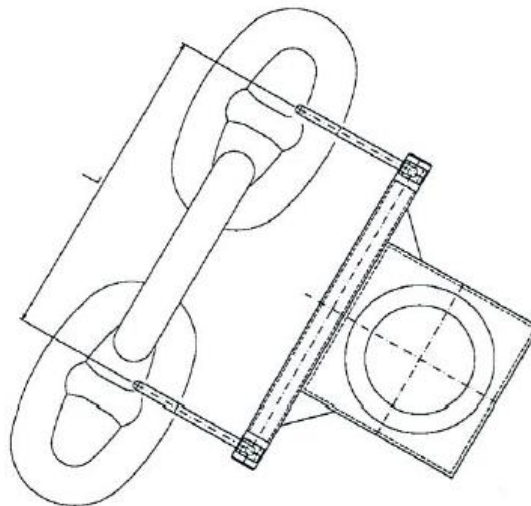


ANCHOR CHAIN IN INCH	ANCHOR CHAIN IN METRIC	COMMON LINK L	STUDLESS COMMON LINK L
3"	76	615	670
3-1/16"	78	640	
3-1/8"	79		
3-5/16"	81	670	
3-1/4"	83		
3-5/16"	84	695	
3-3/8"	85		
3-7/16"	86	710	
3-1/2"	87		
3-9/16"	90	740	
3-5/8"	92		
3-11/16"	93	770	
3-3/4"	95		
3-13/16"	97	790	
3-7/8"	99		
3-15/16"	100		

FROM 4" TO 4 3/4 "



ANCHOR CHAIN IN INCH	ANCHOR CHAIN IN METRIC	COMMON LINK L	STUDLESS COMMON LINK L
4"	102	825	890
4-1/8"	105		
4-1/4"	108	875	
4-3/8"	111		
4-1/2"	115	930	
4-5/8"	118		
4-3/4"	121	968	



Welcome to the world of Observator

Since 1924 Observator has evolved to be a trend-setting developer and supplier in a wide variety of industries. Originating from the Netherlands, Observator has grown into an internationally

oriented company with a worldwide distribution network and offices in Australia, Germany, the Netherlands, Singapore and the United Kingdom.

www.observator.com