



B. HEPWORTH
AND COMPANY LIMITED

*...performance wiper
systems...*

INSTALLATION AND MAINTENANCE
INSTRUCTIONS FOR THE
80NM COMPACT
SINGLE STATION
WINDSCREEN WIPER SYSTEM

CONTENTS

CONTENTS.....	2
GENERAL INFORMATION AND SAFETY SUMMARY.....	3
Safety Precautions.....	3
Introduction.....	3
Vari-Arc Lever Settings.....	3
CHAPTER 1.....	4
Functional and Equipment Description of System.....	4
Wiper Motor Assembly.....	4
Exploded View of Linkage.....	5
Wiper Arm Assembly.....	6
Wiper Arm Assembly.....	7
CHAPTER 2.....	8
Installation Instructions.....	8
Drilling Diagram.....	8
Fitting the Wiper Motor Assembly.....	8
Vari Arc Units - Arc adjustment.....	9
Electrical Connections.....	10
Wiring the Power Supply Unit (PSU).....	10
Wiring to a Multi Speed Control Switch.....	11
Wiring to a Toggle Switch.....	11
Wiring to a Rotary Switch.....	12
Fitting the Wiper Blade.....	12
Fitting the Wiper Arm Assembly.....	13
CHAPTER 3.....	14
Maintenance.....	14
Introduction.....	14
Safety Precautions.....	14
Scheduled Maintenance Action Check.....	14
Table 1.....	15
CHAPTER 4.....	15
Troubleshooting.....	15
Introduction.....	15
Safety Precautions.....	15
Troubleshooting Procedures.....	15
Table 2.....	16
Table 2 - Continued.....	17
CHAPTER 5.....	17
Maintenance Instructions.....	17
To Replace the Wiper Blade.....	17
To Replace the Wiper Arm.....	18
To Remove the Entire Wiper Motor Unit Assembly.....	18
To Replace the Drive Crank Assembly.....	19
To Replace the Wiper Motor.....	20
To Replace the Tie Bar.....	21
To Replace the Lever/Liner/Spindle Sub Assembly.....	22
Vari Arc Units - Arc adjustment.....	22
CHAPTER 6.....	23
Operation Instructions.....	23
Switch Operation – Multi-Switch.....	23
Switch Operation – Toggle Switch.....	23
Switch Operation – Rotary Switch.....	24
SPARES LIST.....	24

GENERAL INFORMATION AND SAFETY SUMMARY

As we will have no influence on the installation of complete windscreen wiper systems if installation is to be carried out by the customer, we are unable to accept liability for installation errors.

If you require any additional information or any special problems arise which the installation/maintenance instructions do not treat in sufficient detail please contact B. Hepworth and Co Ltd directly.

Safety Precautions

CAUTION! BEWARE OF INJURY!

BEFORE WORKING ON THE WIPER SYSTEM, OBSERVE THE FOLLOWING REMARKS WITHOUT FAIL!

Most wiper motors have a park setting, which permits them to default to the parked position if connected to the vehicle electrical system, even when the wiper is switched off. **FOR THIS REASON, AT THIS POINT IN TIME, NEITHER MAY THE WIPER ARM BE MOUNTED, NOR MAY ANY PERSON HAVE HANDS, FINGERS, ETC ANYWHERE NEAR THE WIPER SYSTEM.** Even small wiper motors can neither be braked nor stopped by hand.

NEVER REACH INTO THE AREA OF THE ROD LINKAGE WHEN THE SYSTEM IS RUNNING!

When putting into service (i.e. when connecting the wiper motor to the vehicle electrical system, even if the wiper switch is in the 0 position), never leave any loose items such as screwdrivers in the area of the wiper system, as flying objects could lead to injury.

Please ensure the equipment is handled with care. Do not drop or bang the equipment down on a hard surface taking extra care around the area where the motor shaft is situated. Do not hammer the motor shaft when installing the equipment, as this will cause the motor gear plate to deform causing premature failure of the unit.

Introduction

The Windscreen Wiper system utilised is detailed on the following pages. The primary components that form the Windscreen Wiper System are the wiper motor linkage, the wiper arm assemblies and wiper blades.

Vari-Arc Lever Settings

IMPORTANT

Vari-arc levers which have been factory set will be torqued and paint marked. Do not adjust. Unpainted lever nuts must be torque tightened M8 = 20Nm, prior to the unit being fitted.

CHAPTER 1

Functional and Equipment Description of System

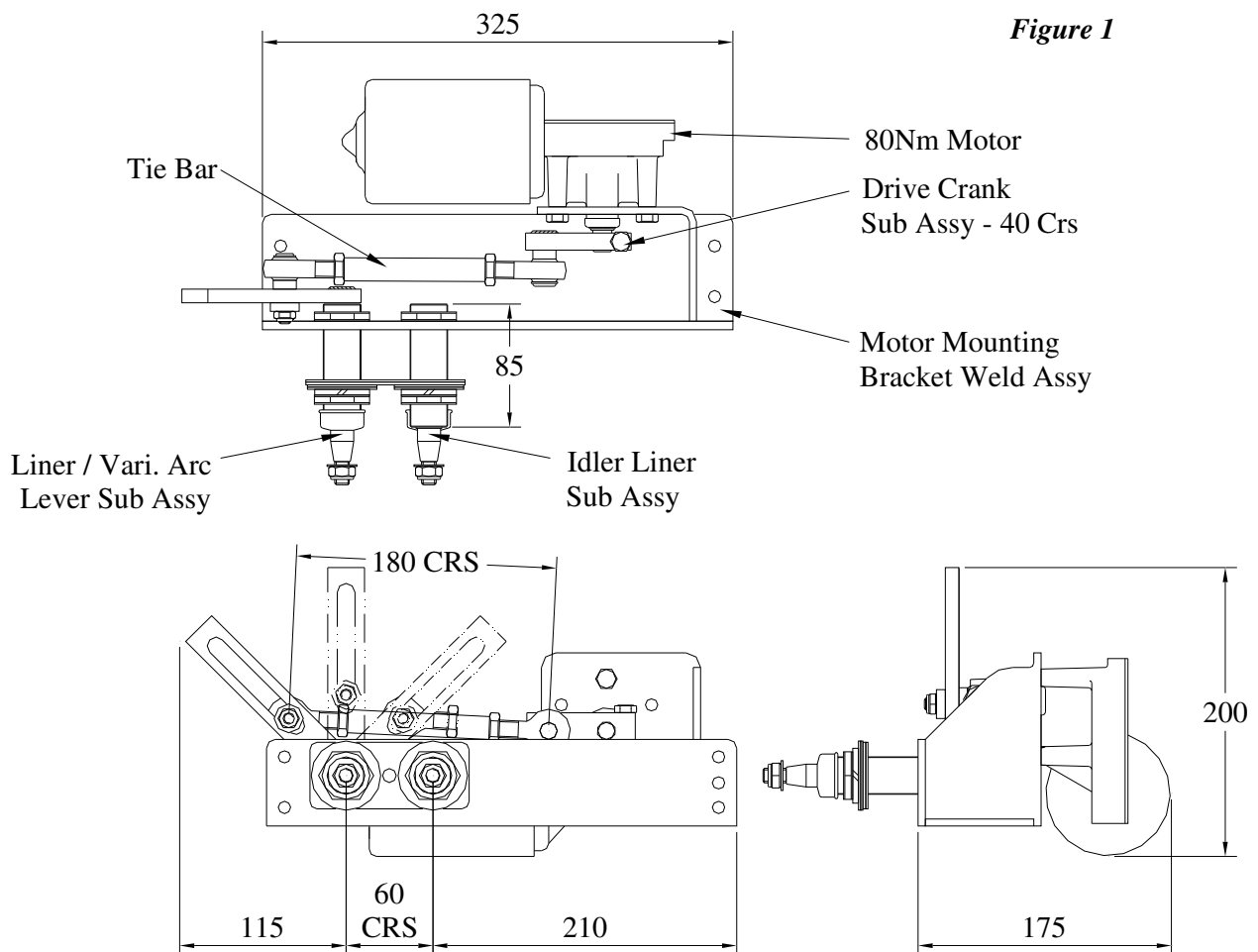
Wiper Motor Assembly

The wiper motor and bracket is shown in Figures 1. & 2. The electric wiper motor forms the central part of the windshield wiper system. The motor is mounted on a fabricated mild steel bracket which is polyester powder coated to prevent corrosion. The motor is connected electrically by means of a multi-pin connector. Ref Figure 3.

The drive lever is secured to the wiper motor shaft and connected through a tie bar, to the spindle lever assembly. These components transfer the motor shaft rotation to the wiper arm assemblies.

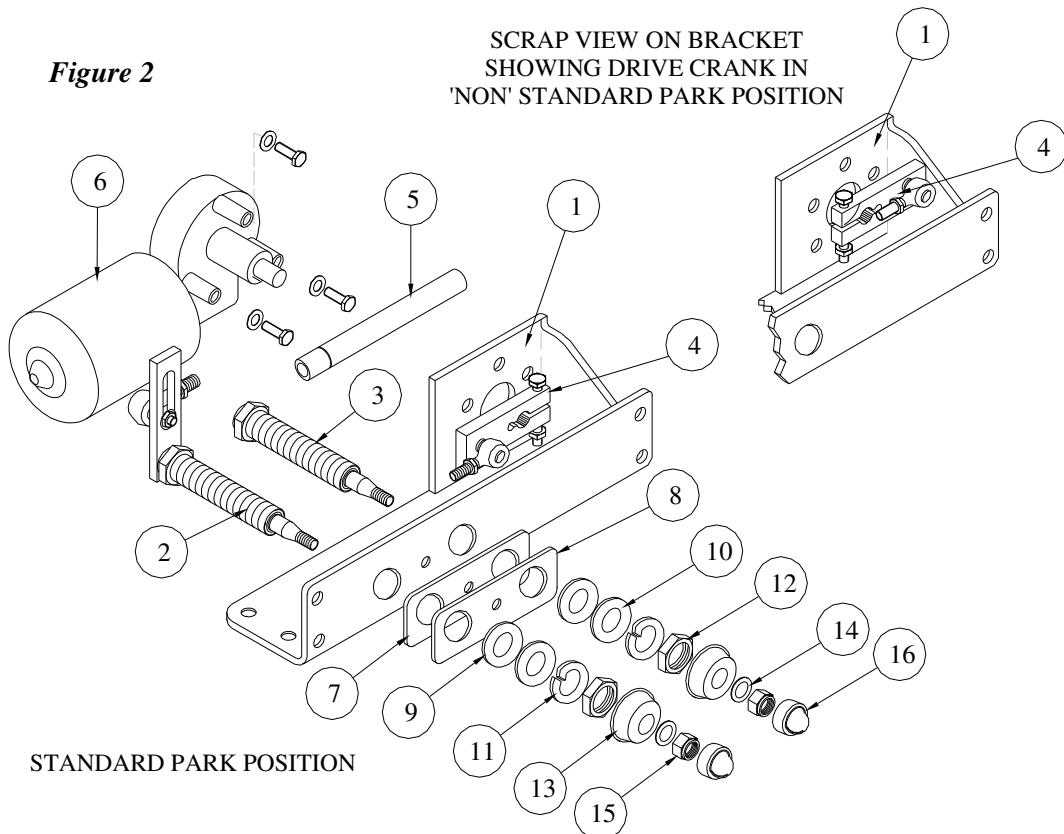
The drive mechanism provided transfers the rotary output from the motor; to a reciprocating motion of the spindles, this mechanism is zinc plated and is sized to give the correct angle of arc for the windscreen wiper arm being driven.

The Spindles that drive the wiper arms pass through the bulkhead, connecting the drive mechanism to the wiper arm; these are manufactured from stainless steel, to prevent corrosion. The spindles are driven from the main drive crank by connecting tie bars which distributes the load evenly between the arms of the wiper arm thus reduces the load on the individual interfaces between the wiper arm and the spindles.



Exploded View of Linkage

Figure 2



ITEM	DESCRIPTION	QTY
1	Motor Mounting Bracket	1
2	Liner V.Arc Lever Sub Assy	1
3	Idler Liner Sub Assy	1
4	Drive Crank Sub Assy 40 Crs	1
5	Tie Bar – 115mm Overall	1
6	80Nm (IER) Motor	1
7	Idler Plate - Gasket	1
8	Idler Plate	1

ITEM	DESCRIPTION	QTY
9	26mm Washer - Neoprene	2
10	26mm Washer – Flat	2
11	26mm Washer – Single Coil	2
12	M26 Hex. Nut	2
13	26mm Weather Cap	2
14	10mm Washer - Flat	2
15	M10 Nylock Nut	2
16	10mm Nut Weather Cap	2

Electrical Connections

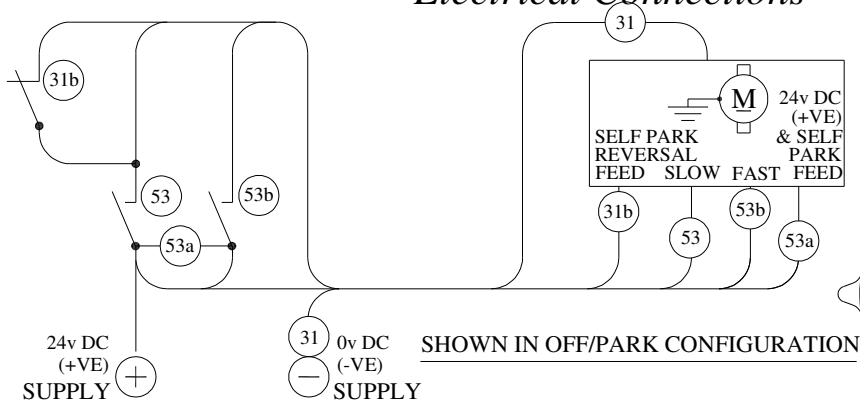
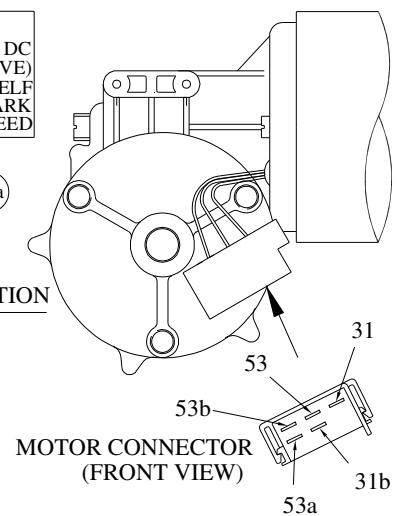


Figure 3



WIRING CONNECTION CODE	
31	0v DC (-ve) Supply
53	Slow Speed
53b	Fast Speed
53a	24v DC (+ve) Supply & Self Park
31b	Self Park – Reversal Speed

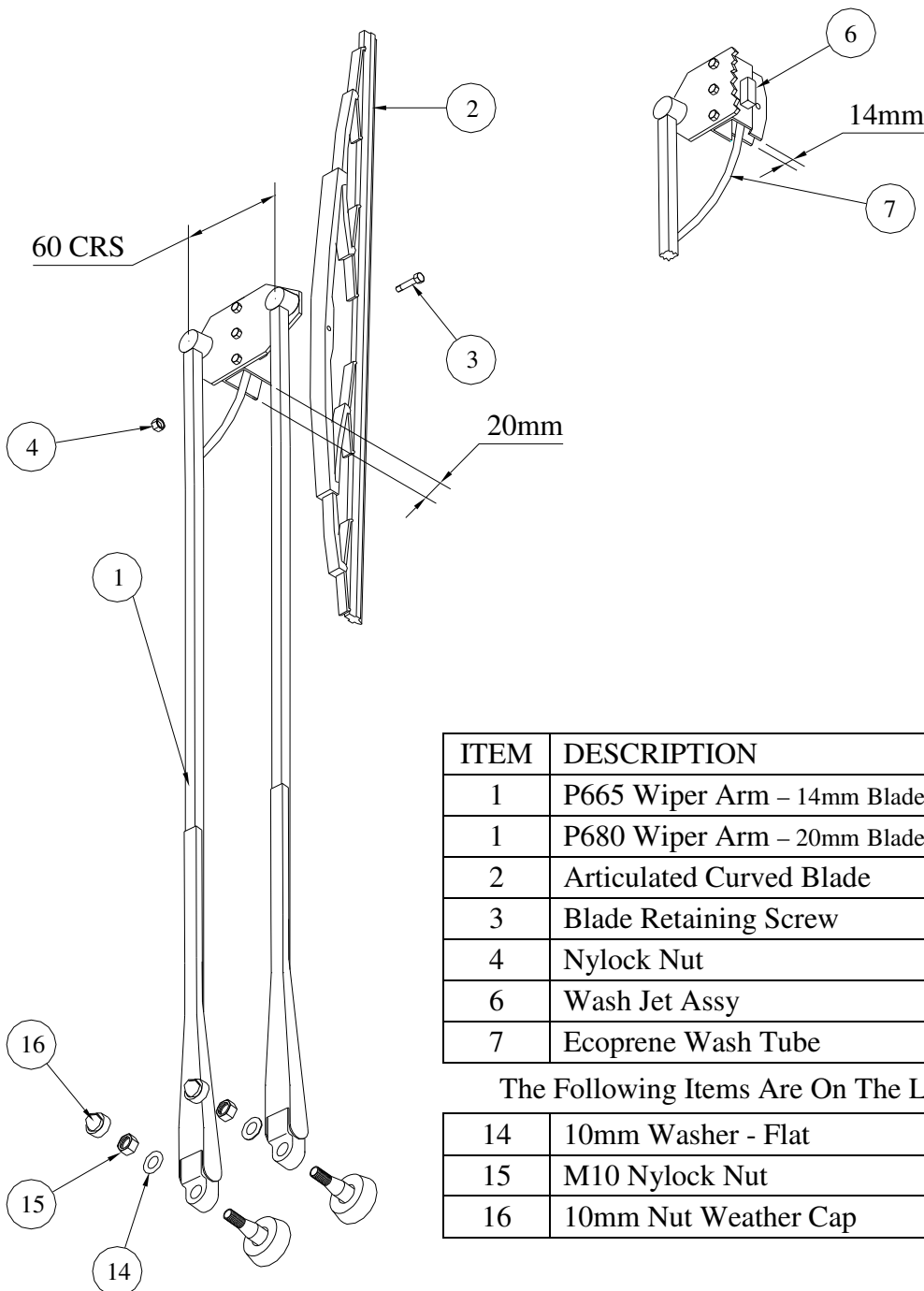
Wiper Arm Assembly

The wiper arm is manufactured from stainless steel and is polyester powder coated to prevent corrosion and to be of good appearance.

The wiper arm is shown in Figure 4. One wiper arm assembly is used on each unit. The wiper arm assembly mounts directly onto the spindles protruding through the bulkhead. The wiper arm is secured to the spindle via a series of nuts and washers.

The blade is secured to the arm assembly using the blade clip arrangement on the arm and blade bolt.

Figure 4 – Medium Duty Arm



ITEM	DESCRIPTION	QTY
1	P665 Wiper Arm – 14mm Blade Clip	1
1	P680 Wiper Arm – 20mm Blade Clip	1
2	Articulated Curved Blade	1
3	Blade Retaining Screw	1
4	Nylock Nut	1
6	Wash Jet Assy	1
7	Ecoprene Wash Tube	Metres

The Following Items Are On The Linkage

14	10mm Washer - Flat	2
15	M10 Nylock Nut	2
16	10mm Nut Weather Cap	2

Wiper Arm Assembly

The wiper arm is manufactured from stainless steel and is polyester powder coated to prevent corrosion and to be of good appearance.

The wiper arm is shown in Figure 4. One wiper arm assembly is used on each unit. The wiper arm assembly mounts directly onto the spindles protruding through the bulkhead. The wiper arm is secured to the spindle via a series of nuts and washers.

The blade is secured to the arm assembly using the blade clip arrangement on the arm and blade bolt.

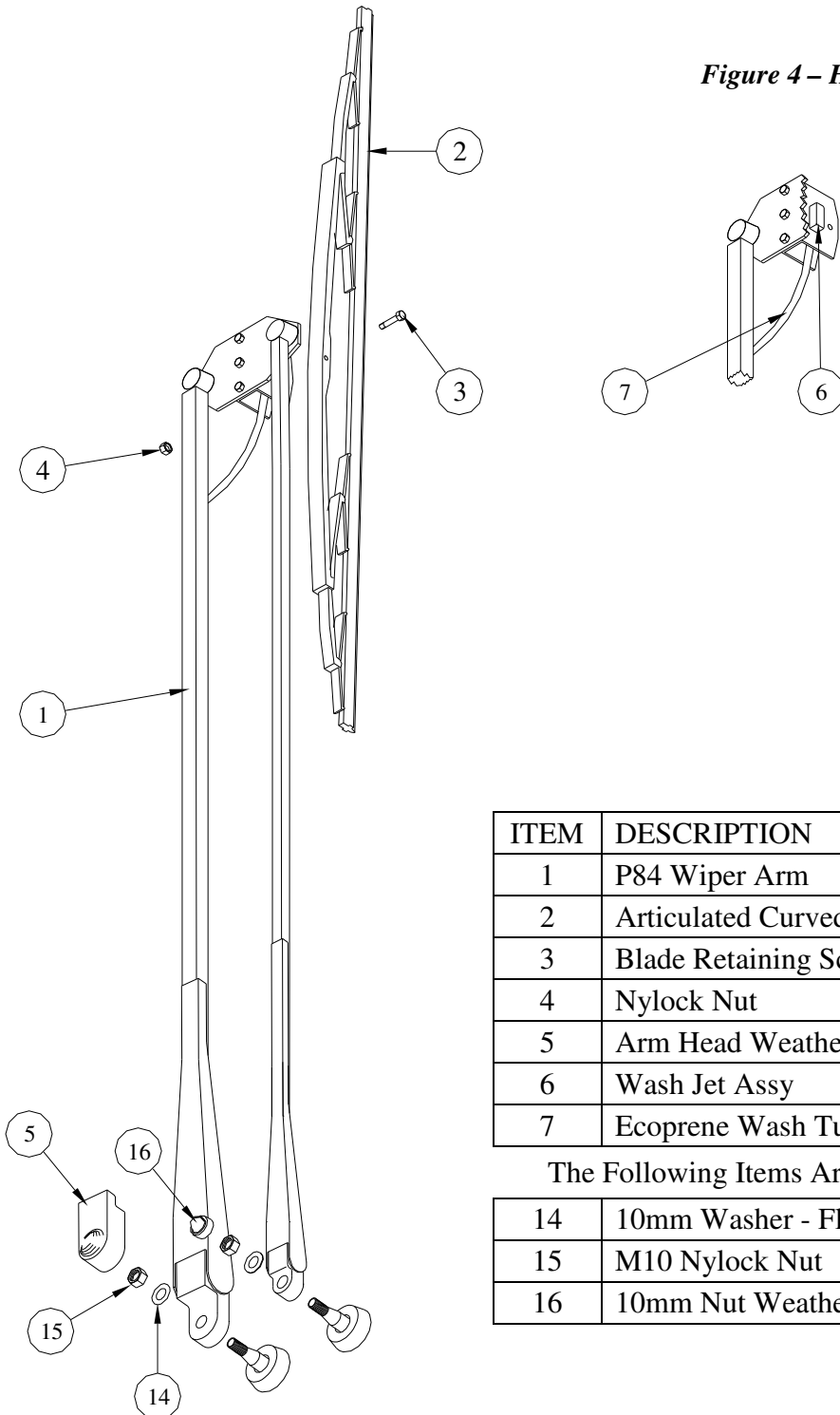


Figure 4 – Heavy Duty Arm

ITEM	DESCRIPTION	QTY
1	P84 Wiper Arm	1
2	Articulated Curved Blade	1
3	Blade Retaining Screw	1
4	Nylock Nut	1
5	Arm Head Weather Cap	1
6	Wash Jet Assy	1
7	Ecoprene Wash Tube	Metres

The Following Items Are On The Linkage

14	10mm Washer - Flat	2
15	M10 Nylock Nut	2
16	10mm Nut Weather Cap	2

CHAPTER 2

Installation Instructions

These instructions are meant as a guide. If you experience any difficulty in the fitting of these units, please do not hesitate to contact us for advice.

Drilling Diagram

NOTE - Drilling Diagram is NOT to size and is for reference only

DRILLING DIAGRAM - FOR 80Nm COMPACT UNITS

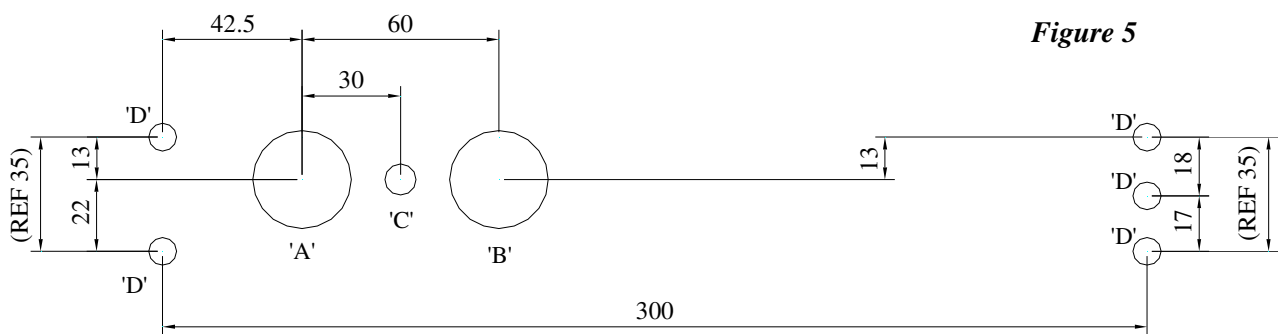


Figure 5

Drill holes 'A' and 'B' at $\text{Ø}30\text{mm}$ (Note Hole 'B' not required on Pendulum units)

Drill hole 'D' at $\text{Ø}8.5\text{mm}$ (5 options shown)

Drill hole 'C' at $\text{Ø}9.5\text{mm}$ (Only required if wash tube is fitted through bulkhead between spindles)

Fitting the Wiper Motor Assembly

IMPORTANT

Vari-arc levers which have been factory set will be torqued and paint marked. Do not adjust. Unpainted lever nuts must be torque tightened $\text{M}8 = 20\text{Nm}$, prior to the unit being fitted.

When the spindle positions have been drilled in the bulkhead, the following procedures apply.

1. Remove Weather Caps - (Items 5 & 16), M10 Nuts - (Item 15), Flat Steel Washers - (Item 14), Weather Caps - (Item 13), M26 Nuts - (Item 12), Single Coil Washers - (Item 11), Flat Steel Washers - (Item 10), and Neoprene Washers - (Item 9).
2. On Pantograph units only – Also remove Idler Plate - (Item 8) and finally Idler Gasket - (Item 7). NOTE: - Keep safe as will be required on assembly.

NOTE the Motor Unit is MOUNTED from INSIDE the Bulkhead.

3. Fit Motor Unit and fix in place through predrilled mounting holes (Fixing bolts not supplied)
4. *Externally* - ENSURE a proprietary sealant (Not supplied) is used around all points of entry through bulkhead.

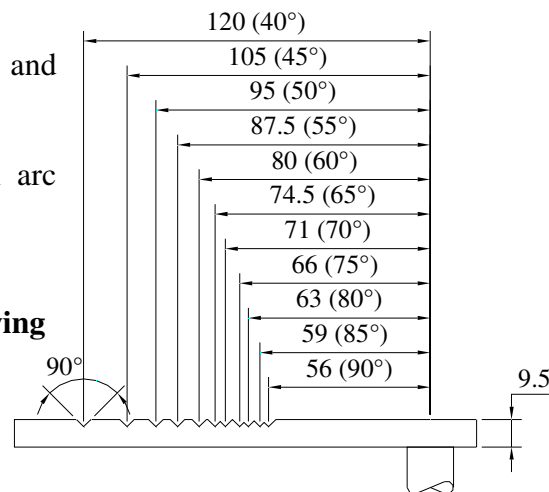
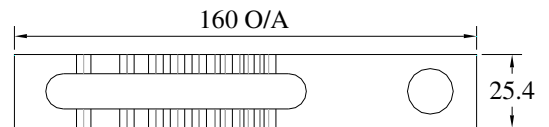
5. *Fit following items* - On Pantograph units only Idler Gasket - (Item 7) and Idler Plate - (Item 8) over both Liners, next to bulkhead.
6. Onto each Liner a Neoprene Washer - (Item 9), a Flat Steel Washer - (Item 10), a Single Coil Washer - (Item 11), a M20 Nut - (Item 12) and finally a Weather Cap - (Item 13).
7. *Internally* - Connect vehicle wiring to motor.

Vari Arc Units - Arc adjustment

IMPORTANT

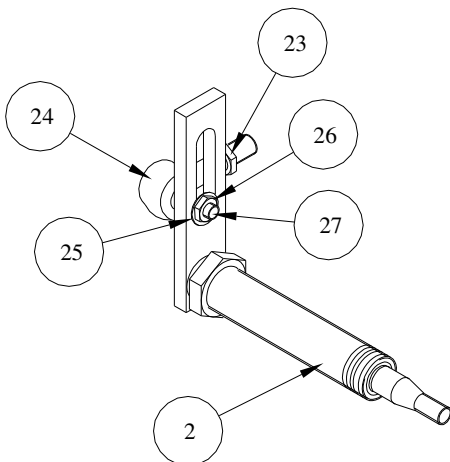
Vari-arc levers which have been factory set will be torqued and paint marked. Do not adjust. Unpainted lever nuts must be torque tightened M8 = 20Nm, prior to the unit being fitted.

1. *Internally* - Run Motor to insure it is parked correctly. Disconnect all Electrical Power.
2. Slacken bearing nuts at both ends of tie bar and securing nylock nut - (item 26) on vari arc lever.
3. Slide bearing/tie bar assembly pivot pin - (item 27) towards liner/spindle assembly to **increase** arc to 90° max or away from liner/spindle assembly to **decrease** arc to 40° min.
4. Ensure you note markings on lever when correct arc is reached. **Important: Pantograph Systems must not exceed 90° arc of wipe.**
5. Adjust arc until blade parks approximately 75-100mm from edge of screen when screen is dry. Test on a wet screen to prove clearance is acceptable.
6. Tighten bearing nuts at both ends of tie bar and securing nylock nut - (item 26)
7. Tighten securing nylock nut - (item 26) on vari arc lever (torque 20nm)



IMPORTANT:

Ensure BEARING CENTRES are as stated in drawing Chapter 1, Figure 1



ITEM	DESCRIPTION	QTY
2	Liner V.Arc Lever Sub Assy	1
23	12mm Right Hand Bearing Nut	1
24	12mm Right Hand Bearing	1
25	8mm Washer - Flat	1
26	M8 Securing Nylock Nut	1
27	V.Arc Bearing Pivot Pin	1

Electrical Connections

The 80Nm Marine Motor is available in either 12v or 24v DC, and are both, two speed self-parking motors with Insulated Earth Return as standard.

The motor should be connected through a two speed self-park multi speed control switch, a toggle switch or a rotary switch (not supplied – Can be ordered separately).

For Ships Supply's of nominal 110/120v AC 1 Phase – one of the following will be required

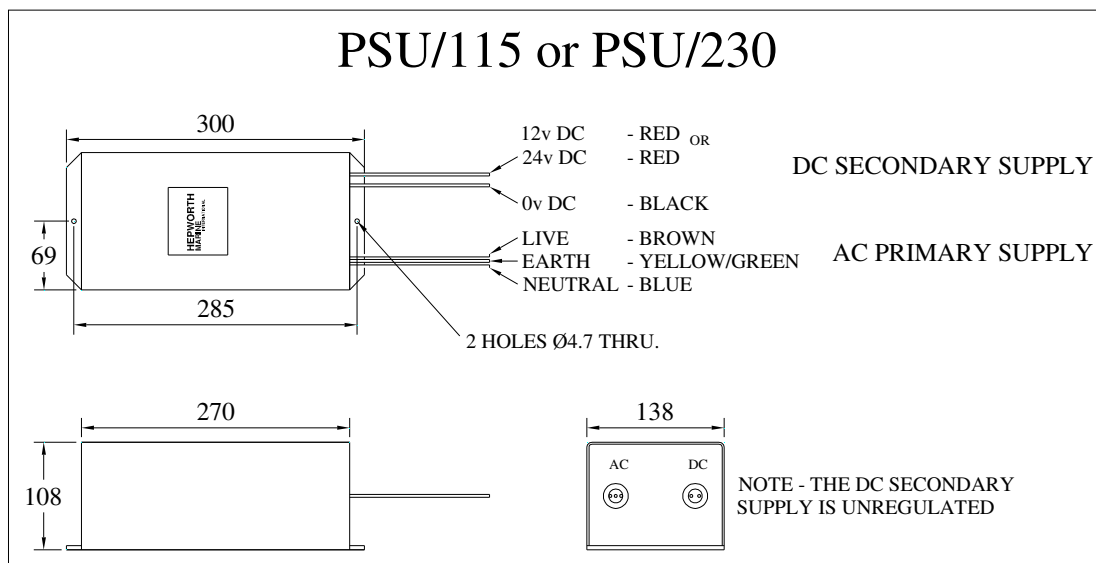
PSU/115/12/6	POWER SUPPLY UNIT-115v 12v 6amp	will power 1 Motor Unit
PSU/115/12/12	POWER SUPPLY UNIT-115v 12v 12amp	will power 2 Motor Units
PSU/115/24/6	POWER SUPPLY UNIT-115v 24v 6amp	will power 1 Motor Unit
PSU/115/24/12	POWER SUPPLY UNIT-115v 24v 12amp	will power 2 Motor Units

For Ships Supply's of nominal 220/240v AC 1 Phase – one of the following will be required

PSU/230/12/6	POWER SUPPLY UNIT-230v 12v 6amp	will power 1 Motor Unit
PSU/230/12/12	POWER SUPPLY UNIT-230v 12v 12amp	will power 2 Motor Units
PSU/230/24/6	POWER SUPPLY UNIT-230v 24v 6amp	will power 1 Motor Unit
PSU/230/24/12	POWER SUPPLY UNIT-230v 24v 12amp	will power 2 Motor Units

Note if more than 2 motors required – information of part number and supply details will be given on request

Wiring the Power Supply Unit (PSU)



AC Primary Side

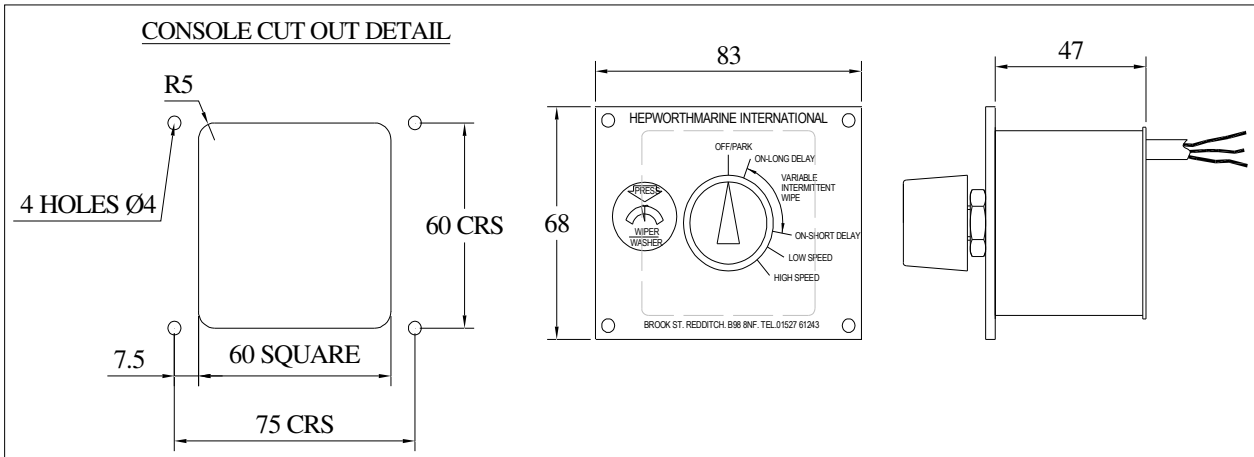
Connect the Live, Earth and Neutral wires on the AC Primary side of the Power Supply Unit to the Ships Supply **-110/120v AC 1 Phase** to a PSU/115 Unit, or **220/240v AC 1 Phase** to a PSU/230 Unit

DC Secondary Side

Connect the **12v** or **24v DC** (+ ve) to the Toggle, Rotary or Multi Speed Control Switch as the positive ship's supply

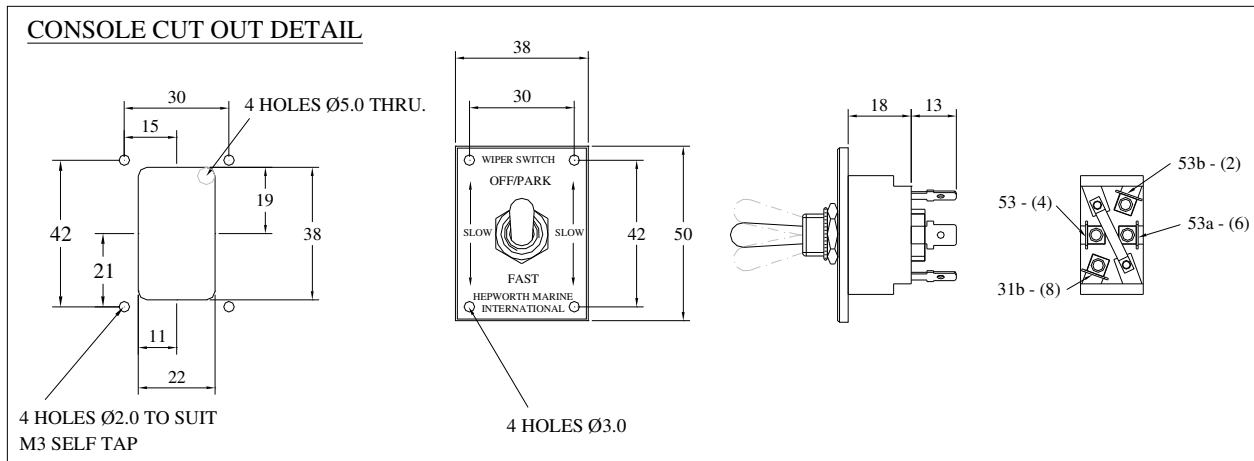
Connect the **0v DC** (- ve) to the Toggle, Rotary or Multi Speed Control Switch as the negative ship's supply

Wiring to a Multi Speed Control Switch



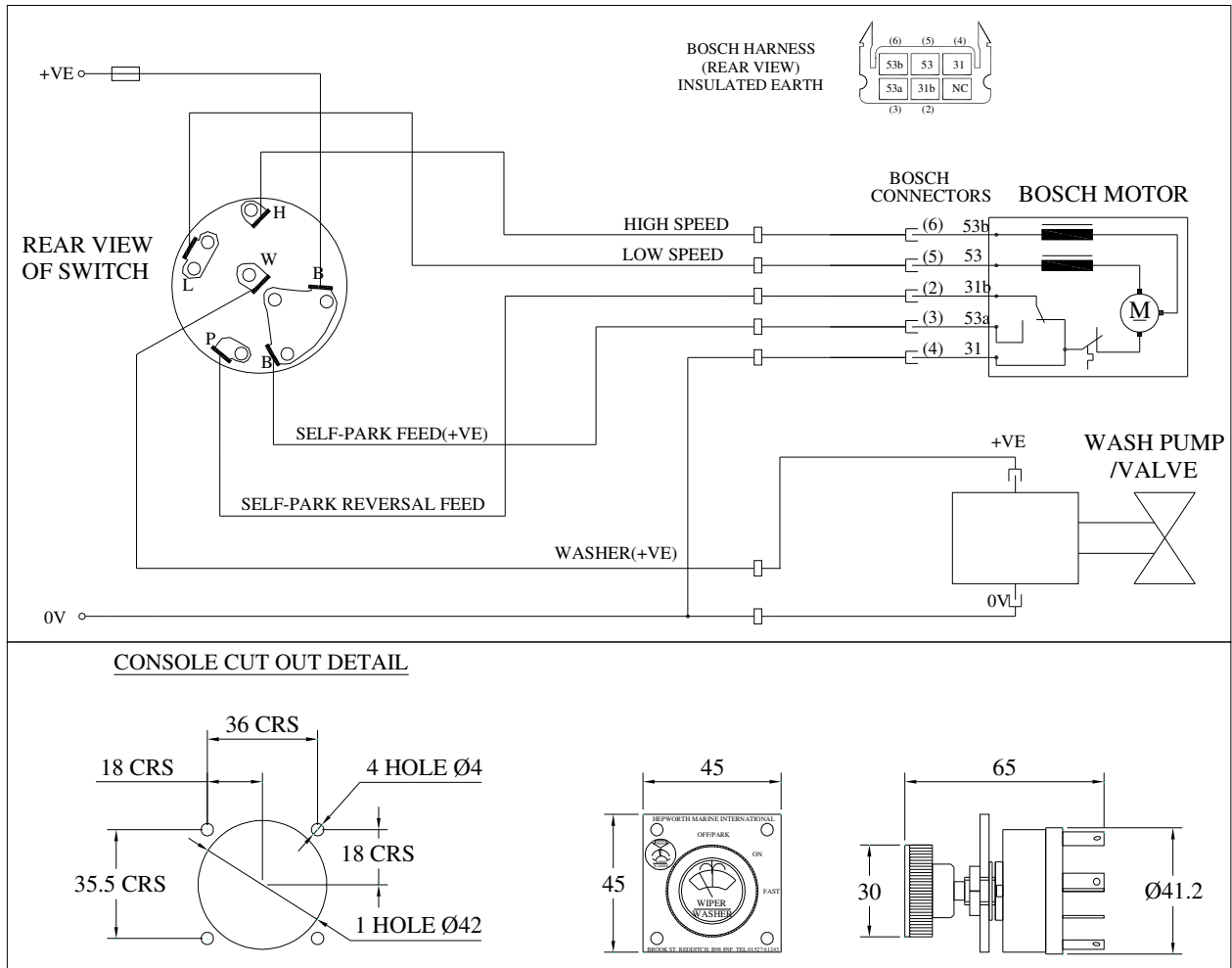
The RED wire on the switch	To terminal 53a on the motor - (SELF PARK FEED) and the positive ship's supply – 12v or 24v DC (+ ve)
The WHITE wire on the switch	To terminal 53b on the motor - (HIGH SPEED)
The YELLOW wire on the switch	To terminal 53 on the motor - (LOW SPEED)
The BLUE wire on the switch	To terminal 31b on the motor - (SELF PARK REVERSAL FEED)
The BLACK wire on the switch	To terminal 31 on the motor and the negative ship's supply – 0v DC (- ve)
The BROWN wire on the switch	To the Washer Pump (+ ve)

Wiring to a Toggle Switch



Position 8 on the switch	To terminal 31b on the motor (SELF PARK REVERSAL FEED)
Position 4 on the switch	To terminal 53 on the motor (LOW SPEED)
Position 6 on the switch	To terminal 53a on the motor (SELF PARK FEED) and the positive ship's supply – 12v or 24v DC (+ ve)
Position 2 on the switch	To terminal 53b on the motor (HIGH SPEED)
The negative ship's supply – 0v DC (- ve)	To terminal 31 on the motor

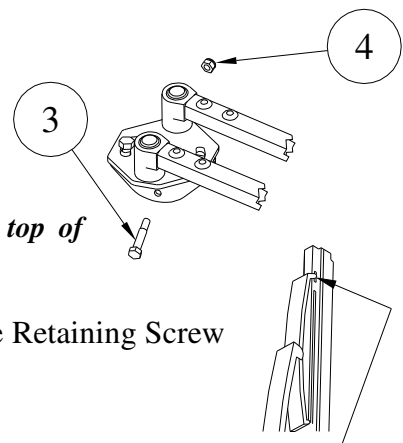
Wiring to a Rotary Switch



Fitting the Wiper Blade

With Reference to the Arm Drawings – Pages 6 & 7.

1. **Externally-** Remove Blade Retaining Screw - (Item 3) and Nut - (Item 4) from Blade Clip on Main Arm. - (Item 1)
2. Place Wiper Blade - (Item 2) into Blade Clip.
(Note If only one end of blade rubber captive, it must be at top of screen.)
3. Ensure that all fixing holes align. Secure in place with Blade Retaining Screw - (Item 3) and Nut - (Item 4).



IMPORTANT

DO NOT over tighten Blade Retaining Screw and Nut, as Blade is required to pivot on glass.

CAPTIVE CLIP TO BE AT THE TOP OF SCREEN

The wiper blades should be changed every 6 months but this is dependent on use and operating conditions.

(With Reference to Chapter 3, Table 1 & Chapter 4, Table 2 – continued, Wiper Blades)

Fitting the Wiper Arm Assembly

IMPORTANT

The Blade must be fitted to the Arm prior to the Arm being fitted. (This is to prevent the Blade Clip damaging the screen,)

1. *Internally* - Run Motor to insure it is parked correctly. Disconnect all Electrical Power.
2. *Externally*- While Unit is being run, it is IMPORTANT to observe direction drive spindle rotates in immediately before it stops. This direction will give PARK POSITION.

Pantograph Arms Only:

3. Fit Arm onto Spindle allowing Blade to lie approx 75-100mm from edge of glass in PARKED POSITION.
4. Fit a M10 Flat Washer - (*Item 14*) on to spindle next to Arm Head, then a M10 Nylock Nut - (*Item 15*)

5. Only tighten Nut sufficiently to allow Arm and Blade to travel across glass when Motor is run to see if positioning is correct.
6. If incorrectly positioned - DO NOT ATTEMPT TO ROTATE OR TWIST ARM ON SPINDLE this will damage splined end of drive spindle, resulting in Arm and Blade slipping in operation.
7. To correct alignment errors, - loosen Nut and gently pull Arm up Spindle, realign and repeat stages above.
(*Arm Extractor Tool is available see Page 13 for instructions*)
8. When correctly aligned, tighten M10 Spindle Nut 38Nm. Then fit Weather Cap supplied with Linkage - (*Item 16*)

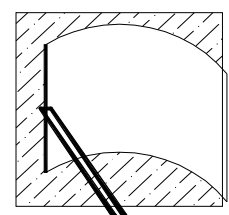
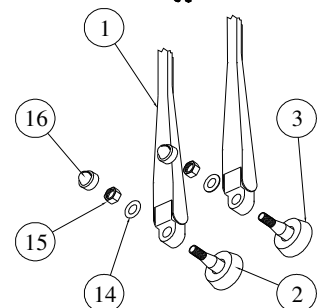
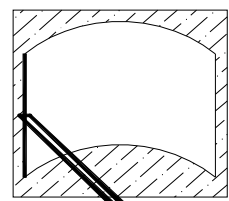
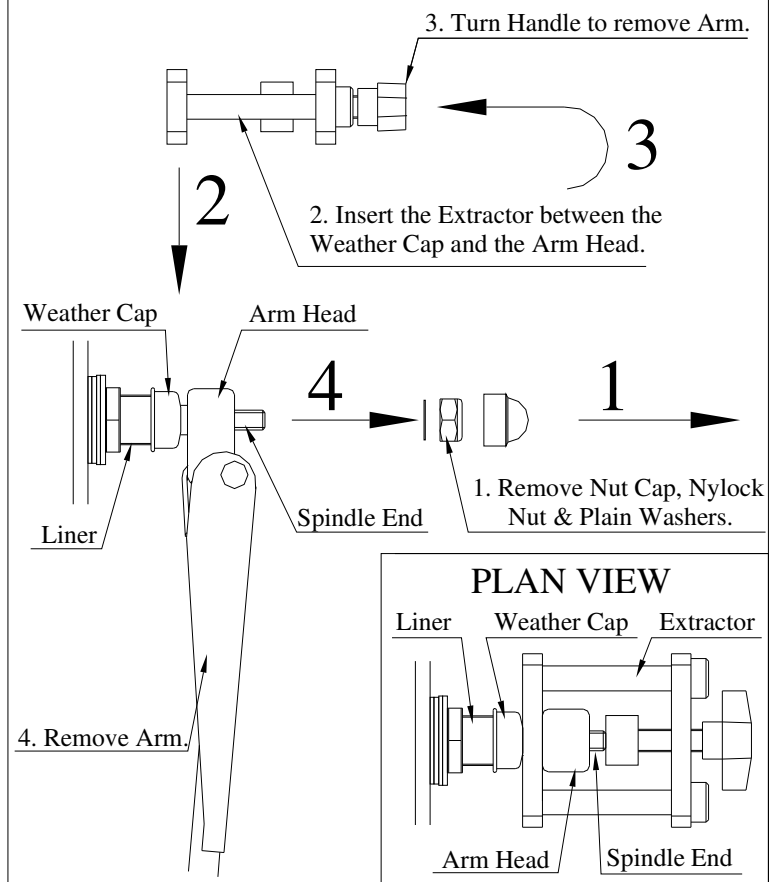
IMPORTANT

On first fitting, check spring pressure on blade in parked position, it must NOT exceed recommended pressure. If this happens contact B. Hepworth. For details see Chapter 4, Table 2 – Continued, Page 16.

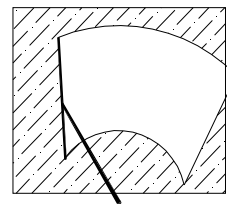
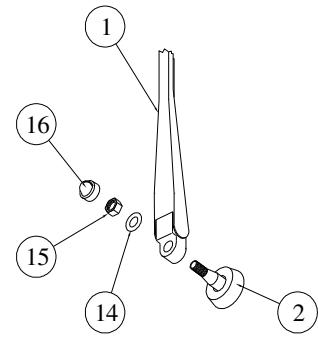
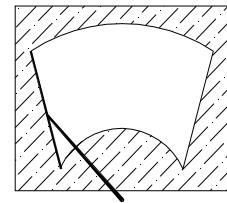
Pendulum Arms Only:

1. Fit Arm onto Spindle allowing Blade to lie approx 75-100mm from edge of glass in PARKED POSITION.

OPERATING THE EXTRACTOR



2. Fit a Flat Washer - (*Item 14*) on to spindle next to Arm Head, then a M10 Nylock Nut - (*Item 15*)
3. Only tighten Nut sufficiently to allow Arm and Blade to travel across glass when Motor is run to see if positioning is correct.
4. If incorrectly positioned - **DO NOT ATTEMPT TO ROTATE OR TWIST ARM ON SPINDLE** this will damage splined end of drive spindle, resulting in Arm and Blade slipping in operation.
5. To correct alignment errors, - loosen Nut and gently pull Arm up Spindle, realign and repeat stages above.
(*Arm Extractor Tool is available see Page 13 for instructions*)
6. When correctly aligned, tighten M10 Spindle Nut 38Nm. Then fit Weather Cap supplied with Linkage - (*Item 16*)



IMPORTANT

On first fitting, check spring pressure on blade in parked position, it must NOT exceed recommended pressure. If this happens contact B. Hepworth. For details see Chapter 4, Table 2 – Continued, Page 16.

CHAPTER 3

Maintenance

Introduction

This chapter contains all preventative maintenance and removal and replacement procedures for the windscreen wiper components. Preventative maintenance procedures include the information required to replace the wiper blades.

Safety Precautions

Always disconnect the power when servicing the Windscreen Wiper System, or on any ancillary components. Serious damage to the Equipment and/or Personal Injury may occur if the power is not disconnected.

Scheduled Maintenance Action Check

Table 1 is a Scheduled Maintenance Action Index. The index provides a list of all performance tests if applicable and preventative maintenance procedures. The table has three columns: Periodicity, Equipment and Task

The Periodicity column indicates the intervals between the maintenance tests and preventative maintenance procedures.

The equipment column lists the equipment, assembly or subassembly that corresponds to the maintenance action.

The task column lists the maintenance task to be performed.

Table 1

PERIODICITY	EQUIPMENT	TASK
Daily	Wiper Blades	Inspect wiper blades for damage, torn or missing rubber blades. Replace wiper blades as required
Daily	Windscreen Wiper System	Perform function test of wiper washer system. Do not carry out function test on a dry screen
Daily	Washer Tubing and Spray Nozzle	Inspect tubing for damage or loose connection on nozzle. Check operation of spray nozzle on windscreen
Daily	Wash Tank	Insure wash tank is filled with washer fluid to prevent wipers being used on a dry screen
3 Monthly	Fixings of wiper arm to wiper spindle	Check torque settings M10 = 38Nm
6 Monthly	Complete System	Check all torque settings for complete wiper system: M8 = 15Nm (<i>on Motor Bolts</i>) M8 = 25Nm (<i>on Splined Drive Crk Nut & Bolt</i>) M8 = 20Nm (<i>on V.A. Lever</i>) M10 = 38Nm (<i>on Spindle Nut</i>) M12 = 20Nm (<i>on Tie Bar with Threadlock</i>) M26 = 30Nm (<i>on Brass Liner</i>) Carry out a visual check for wear in rod end
Six Monthly or As required	Wiper Blades	Replace wiper blades

CHAPTER 4

Troubleshooting

Introduction

This chapter provides all the instructions and information necessary to locate problems and conduct tests on the windscreen wiper system components. The trouble-shooting chart is provided for logical isolation of faults.

Safety Precautions

Always disconnect the power when servicing the Windscreen Wiper System, or on any ancillary components. Serious damage to the Equipment and/or Personal Injury may occur if the power is not disconnected.

Troubleshooting Procedures

Typical windshield wiper system troubleshooting procedures are contained in Table 2. These troubleshooting and repair procedures should be followed when encountering operational problems with the windshield wiper system

Table 2

SYMPTOM	PROBABLE CAUSE	TESTS AND CHECKS	CORRECTIVE ACTION
Wiper motor fails to start	On/off switch	Check position of switch	Turn switch to on position
	Voltage Level	Check supply voltage to switch.	Correct voltage supply problem.
	Switch	Check wiring and switch connections	Correct loose wiring connections. Replace broken wires. Replace switch.
	System Jammed	Check wiper linkage	Release linkage. Release wiper arm
	Defective wiper motor		Replace motor
Motor shaft turns but linkage & arm remain static	Defective or loose drive crank	Check linkage for a loose drive crank	Secure or replace drive crank. Clean motor output shaft with wire brush before replacing
Slow Motor Operation	Voltage Level	Check supply voltage to wiper system.	Correct voltage supply problem
	Switch		Replace faulty switch
	Motor Bracket	Check for broken bracket	Replace defective bracket
	Linkage	Check to see if Linkage is free moving	Free linkage replace worn or damaged components
	Defective Wiper Motor		Replace Wiper Motor
System operates but wiper arm remains static	Wiper arm	Check for loose wiper arm connection onto drive spindle	Secure or replace wiper arm after cleaning spindle spline with wire brush. <i>(Ref to Chapter 3, Table 1 for Torque settings.)</i>
Erratic Motor	Voltage level	Check supply voltage to wiper system	Correct voltage supply problem
	Switch	Check for loose or broken wires	Replace faulty switch
	Wiring		Repair or replace wiring up to motor. Replace motor if this wiring is damaged
Washer system not working correctly	No water from jets	Check water level in tank	Fill tank
		Check for damage to tank	Replace tank
		Check Pump is operational	Replace pump if faulty

Table 2 - Continued

SYMPTOM	PROBABLE CAUSE	TESTS AND CHECKS	CORRECTIVE ACTION
Arm and Blade not operating correctly or over sweep operation	Voltage level	Check supply voltage to wiper system	Correct voltage supply problem
	Linkage	Check for worn or broken linkage	Replace Linkage
	Spindle	Check for excessive wear in spindle	Replace Spindle
	Arm	Check that arm is not loose on spindle	Re-tighten Spindle
		Check for excessive wear on arm	Replace Arm. (Clean spline on spindles with wire brush before replacing.)
	Blade	Check fixing for wear	Replace Blade
		Check blade for wear	Replace Blade
Check for excessive smearing on screen		Replace Blade	
Excessive wear on blade.	Spring pressure.	Use spring balance on centre of blade clip till blade begins to lift off glass. 1 – 1.1/2 kg	Replace spring/arm.

CHAPTER 5

Maintenance Instructions

NOTE:

Before replacing the Drive Crank, Motor, Tie Bar or Liner/Lever Sub Assemblies, it is necessary to remove the entire Wiper Motor Unit from the Bulkhead

Retain all items removed in a safe place, as they will be required on reassembly. If you experience any difficulty in fitting these units, please do not hesitate to contact us for advice. Use the drawings for reference.

To Replace the Wiper Blade

Removal

1. **Internally** - Run motor to insure it is parked correctly. Disconnect all electrical power.
2. **Externally** - Carefully pull wiper arm assembly away from windscreen to enable access to wiper blade.
3. Remove blade retaining screw - (*Item 3*), and nut - (*Item 4*), from blade clip on arm.

- Remove Blade from Blade Clip on Arm.

Replacement

- Place wiper blade into blade clip on arm.

NOTE

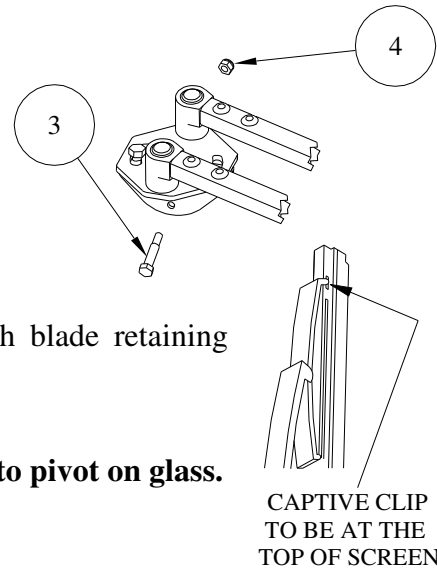
Captive end on blade rubber to be at top of screen.

- Ensure that all fixing holes align. Secure in place with blade retaining screw - (Item 3), and nut - (Item 4).

IMPORTANT

Do not over tighten blade screw and nut, as blade is required to pivot on glass.

- Lower blade carefully back onto windscreen.



The wiper blades should be changed every 6 months but this is dependent on use and operating conditions

(With Reference to Chapter 3, Table 1 & Chapter 4, Table 2 – continued, Wiper Blades)

To Replace the Wiper Arm

Removal

- Internally** - Run motor to insure it is parked correctly. Disconnect all electrical power.
- Externally** - While Unit is being run it is IMPORTANT to observe direction drive spindle rotates in, immediately before it stops. This direction will give PARK POSITION.
- Remove arm weather/nut cap - (Items 5 & 16), M10 nylock nut - (Item 15) and 10mm flat washers - (item 14). Then using arm extraction tool carefully remove arm
(Arm Extractor Tool is available see Chapter 2, Fitting the Wiper Arm Assy for instructions)

Replacement

IMPORTANT:

The Blade must be fitted to the Arm prior to the Arm being fitted. (This is to prevent the Blade Clip damaging the screen,)

- Fit wiper arm
In accordance with Chapter 2, Fitting the Wiper Arm Assy

To Remove the Entire Wiper Motor Unit Assembly

Removal

- Internally** - Run motor to insure it is parked correctly. Disconnect all electrical power. Disconnect wiring from Motor.

IMPORTANT: Please make a note of PARKED position of ARMS and BLADES, before removal

2. **Externally** - remove arm caps, nuts and washers. Then using arm extraction tool carefully remove arms
3. Remove 26mm weather caps - (*Item 13*), M26 nuts - (*item 12*), 26mm single coil washers - (*item 11*), 26mm flat steel washers - (*item 10*) 26mm neoprene washers - (*item 9*), idler plate - (*item 8*) and finally idler plate gasket - (*item 7*).
4. **Internally** - Unscrew fixing bolts from motor mounting bracket - (*Item 1*).
5. Carefully remove entire wiper motor unit from bulkhead.

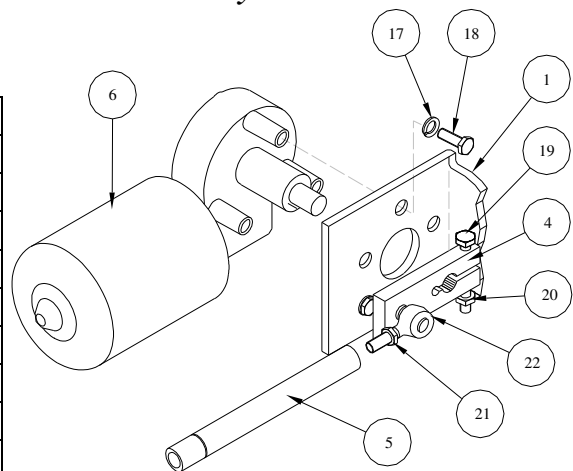
Replacement

1. Replace entire wiper motor assy.
In accordance with Chapter 2, Fitting the Wiper Motor Assy
2. Fit wiper arm assy.
In accordance with Chapter 2, Fitting the Wiper Arm Assy

To Replace the Drive Crank Assembly

Figure 8

ITEM	DESCRIPTION	QTY
4	Drive Crank Sub Assy 40 Crs	1
5	Tie Bar – 115mm Overall	1
6	80Nm 24v (IER) Motor	1
17	8mm Washer – Single Coil	3
18	M8 Fixing Bolts	3
19	M8 Securing Bolt	1
20	M8 Securing Nylock Nut	1
21	M12 Left Hand Bearing Nut	1
22	M12 Left Hand Bearing	1



Removal

1. **Internally** - Run motor to insure it is parked correctly. Disconnect all electrical power. Disconnect wiring from Motor.
2. Remove entire wiper motor assy.
In accordance with Chapter 5, To Remove the Entire Wiper Motor Unit Assembly

IMPORTANT:

Please make a note of Drive Crank POSITION relative to SPINDLE LEVER, as this will affect PARK position for ARMS and BLADES, i.e. SPINDLE LEVER facing towards Motor or away from Motor

3. Slacken both bearing nuts at either end of tie bar.
4. Slacken drive crank nut - (*item 20*), and bolt - (*item 19*), carefully remove drive crank/bearing assy - (*item 4*), from motor drive shaft.
5. Unscrew tie bar - (*item 5*) from drive crank bearing (left hand thread) - (*item 22*)

Replacement

1. Screw tie bar onto bearing (left hand thread) - (*item 22*) of **new** drive crank/bearing assy - (*item 4*).
2. Carefully fit drive crank/bearing assy - (*item 4*), over motor drive shaft, (*referring to note after operation 2 on 'to remove' for position.*) Tighten drive crank nut - (*item 20*), and bolt - (*item 19*).
3. Tighten both bearing nuts at either end of tie bar.

IMPORTANT: Ensure bearing centres are as stated in drawing (figure 1)

3. Replace entire wiper motor assy.
In accordance with Chapter 2, Fitting the Wiper Motor Assy
4. Fit wiper arm assy.
In accordance with Chapter 2, Fitting the Wiper Arm Assy

To Replace the Wiper Motor

Removal

1. *Internally* - Run motor to insure it is parked correctly. Disconnect all electrical power. Disconnect wiring from Motor.
2. Remove entire wiper motor assy.
In accordance with Chapter 5, To Remove the Entire Wiper Motor Unit Assembly

IMPORTANT:

Please make a note of Drive Crank POSITION relative to SPINDLE LEVER, as this will affect PARK position for ARMS and BLADES, i.e. SPINDLE LEVER facing towards Motor or away from Motor

3. Slacken both bearing nuts at either end of tie bar.
4. Slacken drive crank nut - (*item 20*), and bolt - (*item 19*), carefully remove drive crank/bearing assy - (*item 4*), from motor drive shaft.
5. Unscrew three fixing bolts - (*Item 18*) and remove with washers - (*Item 17*) remove Wiper Motor - (*Item 6*)

Replacement

1. Replace **new** Wiper Motor - (*Item 6*) replace and tighten three fixing bolts - (*Item 18*) and washers- (*Item 17*)
2. Carefully fit drive crank/bearing assy - (*item 4*), over motor drive shaft, (*referring to note after operation 2 on 'to remove' for position.*) Tighten drive crank nut - (*item 20*), and bolt - (*item 19*).
3. Tighten both bearing nuts at either end of tie bar.

IMPORTANT: Ensure bearing centres are as stated in drawing (figure 1)

5. Replace entire wiper motor assy.
In accordance with Chapter 2, Fitting the Wiper Motor Assy
6. Fit wiper arm assy.
In accordance with Chapter 2, Fitting the Wiper Arm Assy

To Replace the Tie Bar

Removal

1. **Internally** - Run motor to insure it is parked correctly. Disconnect all electrical power. Disconnect wiring from Motor.
2. Remove entire wiper motor assy.
In accordance with Chapter 5, To Remove the Entire Wiper Motor Unit Assembly

IMPORTANT:

Please make a note of Drive Crank POSITION relative to SPINDLE LEVER, as this will affect PARK position for ARMS and BLADES, i.e. SPINDLE LEVER facing towards Motor or away from Motor

3. Slacken both bearing nuts at either end of tie bar.
4. Slacken drive crank nut - (*item 20*), and bolt - (*item 19*), carefully remove drive crank/bearing assy - (*item 4*), from motor drive shaft.
5. Unscrew tie bar - (*item 5*) from drive crank bearing (left hand thread) - (*item 22*)
6. Repeat operation 5 on liner/lever/bearing assy (right hand thread) and remove tie bar- (*item 5*),

Replacement

1. Screw **new** tie bar (note groove is on right hand end of tie bar) onto bearing (right hand thread) at liner/lever/bearing assy.
2. Screw **new** tie bar on to bearing (left hand thread) - (*item 22*) of drive crank/bearing assy.
3. Carefully fit drive crank/bearing assy - (*item 4*), over motor drive shaft, (*referring to note after operation 2 on 'to remove' for position.*) Tighten drive crank nut - (*item 20*), and bolt - (*item 19*).
4. Tighten both bearing nuts at either end of tie bar.

IMPORTANT:

Ensure bearing centres are as stated in drawing (figure 1)

5. Replace entire wiper motor assy.
In accordance with Chapter 2, Fitting the Wiper Motor Assy
6. Fit wiper arm assy.
In accordance with Chapter 2, Fitting the Wiper Arm Assy

To Replace the Lever/Liner/Spindle Sub Assembly

Removal

1. ***Internally*** - Run motor to insure it is parked correctly. Disconnect all electrical power. Disconnect wiring from Motor.
2. Remove entire wiper motor assy.
In accordance with Chapter 5, To Remove the Entire Wiper Motor Unit Assembly

IMPORTANT:

Please make a note of Drive Crank POSITION relative to SPINDLE LEVER, as this will affect PARK position for ARMS and BLADES, i.e. SPINDLE LEVER facing towards Motor or away from Motor

3. Slacken both bearing nuts at either end of tie bar.

IMPORTANT:

Make a note of the protrusion length of the Liner and/or Spindle from the front of the Bracket - (Item 1),

4. Unscrew tie bar from right hand bearing of liner/lever/bearing assy.
5. Unscrew remove entire liner/lever/bearing assy from bracket.

Replacement

1. Screw entire ***new*** liner/lever/bearing assy into bracket.
2. Screw tie bar onto right hand bearing at main liner/lever/bearing assy.
3. Tighten both bearing nuts at either end of tie bar.

IMPORTANT:

Ensure bearing centres are as stated in drawing (figure 1)

4. Replace entire wiper motor assy.
In accordance with Chapter 2, Fitting the Wiper Motor Assy
5. Fit wiper arm assy.
In accordance with Chapter 2, Fitting the Wiper Arm Assy

Vari Arc Units - Arc adjustment

1. Adjust lever arc settings.
In accordance with Chapter 2, Vari Arc Units - Arc adjustment

CHAPTER 6

Operation Instructions

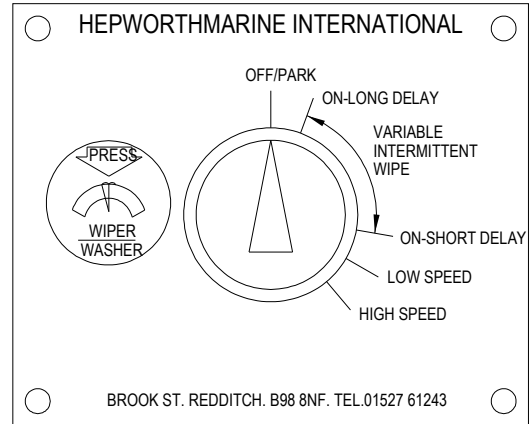
Switch Operation – Multi-Switch

1. Check switch is in the off position before starting. (**OFF/PARK**)

IMPORTANT

Do not run wipers on a dry screen.

2. To apply water to the screen, press the knob. (**WIPER WASHER**) This will apply water for the duration of pressing the button. The wiper will also operate for 3-4 wipes at normal speed after the water stops.



3. Turn the knob **CLOCKWISE** it will (**CLICK**) which turns the wipers on. The switch is now in the area of variable intermittent wipe cycle time. Which is between the (**ON-LONG DELAY**) and (**ON-SHORT DELAY**) positions.
4. The further clockwise the knob is turned between the two positions shorter the delay between the wipes.
5. Turn the knob **CLOCKWISE** to the next (**CLICK**) (**LOW SPEED**) gives a continuous wipe across the screen at a standard speed, with no delay between the wipes.
6. Turn the knob **CLOCKWISE** to the last (**CLICK**) (**HIGH SPEED**) gives a continuous wipe across the screen at a faster speed, with no delay between the wipes.
7. Turn the knob **ANTI-CLOCKWISE** to the off position when finished. (**OFF/PARK**)

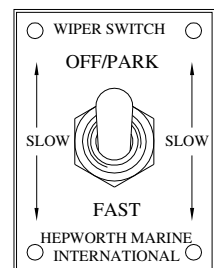
Switch Operation – Toggle Switch

1. Check switch is in the off position before starting. (**OFF/PARK**)

IMPORTANT

Do not run wipers on a dry screen.

2. This Switch does not control water.
3. Pushing the Toggle to the centre position (**SLOW**) gives a continuous wipe across the screen at a standard speed, with no delay between the wipes.
4. Pushing the Toggle to the bottom position (**FAST**) gives a continuous wipe across the screen at a faster speed, with no delay between the wipes.
5. Push the Toggle to the top position when finished. (**OFF/PARK**)



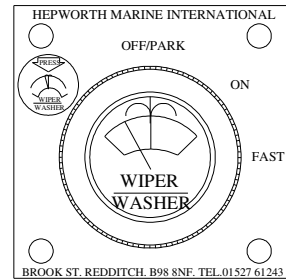
Switch Operation – Rotary Switch

1. Check switch is in the off position before starting. (**OFF/PARK**)

IMPORTANT

Do not run wipers on a dry screen.

2. To apply water to the screen, press the knob. (**WIPER WASHER**)
This will apply water for the duration of pressing the button. (Note – it does not activate the wiper)
3. Turn the knob **CLOCKWISE** it will (**CLICK**) which turns the wipers on, (**ON**). This setting gives a continuous wipe across the screen at a standard speed, with no delay between the wipes.
4. Turn the knob **CLOCKWISE** to the last (**CLICK**) (**FAST**). This setting gives a continuous wipe across the screen at a faster speed, with no delay between the wipes.
5. Turn the knob **ANTI-CLOCKWISE** to the off position when finished. (**OFF/PARK**)



Note – for other all other switch or control instructions refer to the ship’s fitters/suppliers manual.

SPARES LIST

Fittings for M26 Liners and 16mm Spindles protruding outside the Bulkhead

<i>Part No.</i>	<i>Description</i>	<i>Qty</i>
60250300	Idler Plate - Gasket (<i>Item 7</i>)	1 per unit
60250200	Idler Plate - Plate (<i>Item 8</i>)	1 per unit
10029100	26mm Washer - Neoprene (<i>Item 9</i>)	1 per liner
10026100	26mm Washer - Flat (<i>Item 10</i>)	1 per liner
10026600	26mm Washer – Single Coil (<i>Item 11</i>)	1 per liner
10015300	M26 Hex Nut (<i>Item 12</i>)	1 per liner
60054600	26mm Weather Cap (<i>Item 13</i>)	1 per liner
10027800	10mm Washer - Flat (<i>Item 14</i>)	1 per liner
10018000	M10 Hex. Nut (<i>Item 15</i>)	1 per liner
10063500	10mm Nut Cap (<i>Item 16</i>)	1 per liner

Fittings for Arm and Blade

<i>Part No.</i>	<i>Description</i>	<i>Qty</i>
80010700	Blade Retaining Screw (20mm Blade Clip) (<i>Item 3</i>)	1 per arm
80205600	Blade Retaining Screw (14mm Blade Clip) (<i>Item 3</i>)	1 per arm
10011400	M4 Nylock Nut (<i>Item 4</i>)	1 per arm

<i>Part No.</i>	<i>Description</i>	<i>Qty</i>
606806 00	Arm Extractor Tool - All Head Types	As Required

**We represent this supplier.
For more information contact
Observator Vision:**

**T: +31 (0)85 0436000
E: vision@observator.com**

Zernikestraat 51
3316 BZ Dordrecht
The Netherlands

Welcome to the world of Observator

Since 1924 Observator has evolved to be a trend-setting developer and supplier in a wide variety of industries. Originating from the Netherlands, Observator has grown into an internationally

oriented company with a worldwide distribution network and offices in Australia, Germany, the Netherlands, Singapore and the United Kingdom.

www.observator.com