

## GMX240 Compact Weather Station

The MaxiMet range of compact weather stations is designed and manufactured by Gill Instruments. MaxiMet products use reliable, high quality instruments to provide accurate meteorological information in a wide variety of applications.

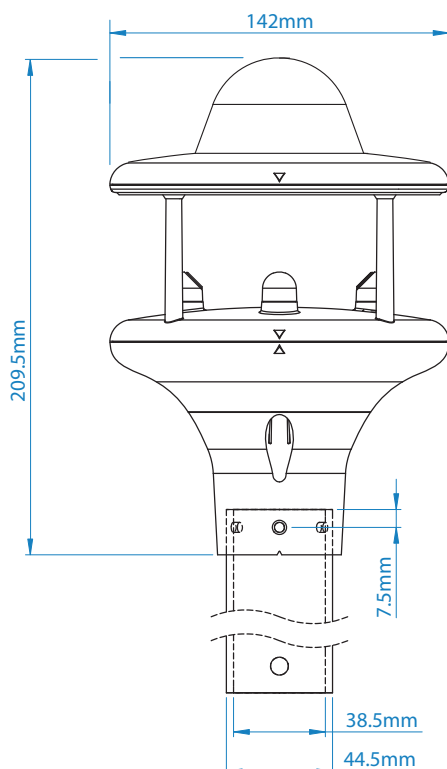
### GMX240 Features

**Wind.** Wind speed and direction measurements are provided via an ultrasonic sensor and the addition of an electronic compass provides apparent wind measurements. Average speed and direction together with WMO averages and gust data is also provided. Add GPS (optional) to provide true wind and other features.

**Precipitation.** An integrated optical rain gauge that automatically senses water hitting its outside surface and provides measurements based on the size and number of drops. Algorithms interpret this data and simulate the output of a tipping bucket rain gauge in a serial format. The optical rain gauge has no moving parts associated with tipping bucket gauges.



WIND	PRECIPITATION	GPS (OPTION)	PARAMETERS
<ul style="list-style-type: none"> <li>Wind speed &amp; direction</li> <li>Apparent and true wind (with GPS)</li> <li>WMO wind averages and gust</li> <li>Compass</li> <li>GPS (optional) gives height above sea level, latitude and longitude</li> </ul>	<ul style="list-style-type: none"> <li>Rainfall total</li> <li>Rainfall intensity</li> <li>Rainfall Y/N</li> <li>Emulated tipping bucket</li> <li>Integrated heater</li> <li>No moving parts</li> <li>0.08 mm tip Optical Rain Gauge (customer select)</li> </ul>	<ul style="list-style-type: none"> <li>Height above sea level <i>m</i></li> <li>Sunrise/sunset</li> <li>Position of the sun</li> <li>Twilight</li> <li>Solar Noon</li> <li>MSL pressure</li> </ul>	<ul style="list-style-type: none"> <li>Wind speed <i>m/s, km/hr, mph, kts, ft/min</i></li> <li>Wind direction °</li> <li>True/apparent wind</li> <li>Angle of tilt</li> <li>Precipitation <i>mm/hr, mm/total, in/hr, in/total</i></li> <li>Outputs <i>RS232, 422, 485 (ASCII), SDI-12, NMEA, MODBUS, Analogue (option)</i></li> </ul>



### All MaxiMet Models Feature

- Quality Measurements
- Lightweight and Robust
- Low Power Mode
- Free of Charge Software
- Gill Proven Reliability
- Compact Integrated Design
- Real Time Output
- Easy Installation
- Gill Customer Support
- 2 Year Warranty

## Applications

- Building and Industrial Controls
- Authorities
- Transport
- Coastal
- Agricultural
- Safety
- Educational
- Commercial
- Energy

### WIND SPEED

Range	0.01 m/s to 60 m/s
Accuracy	± 3% to 40 m/s, ± 5% to 60 m/s
Resolution m/s	0.01
Starting Threshold	0.01 m/s
Sampling Rate	1 Hz
Units	m/s, km/hr, mph, kts, ft/min

### WIND DIRECTION

Range	0-360°
Accuracy	± 3° to 40 m/s ± 5° to 60 m/s
Resolution	1°
Starting Threshold	0.05 m/s
Sampling Rate	1 Hz
Units	Degrees

### PRECIPITATION

Measurement type	Optical
Range	0 to >300 mm/hr
Precipitation Resolution	0.08mm <sup>1</sup>
Repeatability	3%
Sampling Rate	1 Hz
Units	mm/hr, mm/total, in/hr, in/total
Heating	YES

<sup>1</sup> Scalable 0.001 to 10.000

Specifications may be subject to change without prior notice

### OUTPUTS

Output rate	1/s, 1/min, 1/hr
Digital Comms Modes	Serial RS232, RS422, RS485, SDI-12, NMEA, MODBUS, ASCII
Analogue Outputs	Available via separate optional device

### POWER

Power Supply	5 to 30 Vdc
Power (Nominal) 12 Vdc	64 mA continuous high mode. 0.7 mA eco-power mode (1 hour polled)

### ENVIRONMENTAL CONDITIONS

IP Rating	66
Operational Temperature Range:	-35°C to +70°C
EMC Standard:	BS EN 61326-2-1:2013 FCC, CFR Title 47, Part 15, Subpart B, Class A digital device
CE Marking	YES
RoHS compliant	YES
Weight	0.5 Kg
Origin	UK



#### Gill Instruments Limited

Saltmarsh Park, 67 Gosport Street  
Lymington, Hampshire SO41 9EG  
United Kingdom

Tel: +44 (0) 1590 613 500

contact@gillinstruments.com

[gillinstruments.com](http://gillinstruments.com)

1957-023 Iss 6

Copyright © Gill Instruments 2022

Gill Instruments Limited, Reg No. 2281574  
Registered Office: Towngate House, 2-8 Parkstone Road, Poole. BH15 2PW

**We represent this supplier.  
For more information contact  
Observator Instruments:**

**T: +31 (0)180 463411  
E: [info@observator.com](mailto:info@observator.com)**

Rietdekkerstraat 6  
2984 BM Ridderkerk  
The Netherlands

#### **Welcome to the world of Observator**

Since 1924 Observator has evolved to be a trend-setting developer and supplier in a wide variety of industries. Originating from the Netherlands, Observator has grown into an internationally

oriented company with a worldwide distribution network and offices in Australia, Germany, the Netherlands, Singapore and the United Kingdom.

[www.observator.com](http://www.observator.com)