

## GMX300 Compact Weather Station

High quality, easy-to-use, integrated weather station

MaxiMet compact weather stations are designed to be simple to install, use and maintain. In addition to providing measured parameters, the products derive additional parameters and data is output as a single string and available on a range of communications protocols.

MaxiMet weather stations benefit from the same technology used in Gill's scientific product range, ensuring measurement accuracy, low maintenance and continuous status reporting.

The MaxiMet family includes a range of sensor configurations allowing customers to select the model most appropriate to their needs.

### Typical applications

- Control systems including smart buildings, agriculture and industry.
- Solar farms.
- Road and rail.
- Ports and harbours.
- Reporting systems for transport and safety.
- Low power/solar powered deployments and IoT applications.

### MaxiMet GMX300 key features

- Three measured parameters:  
**Temperature, humidity, pressure.**
- Multiple additional derived parameters based on combining measured parameters, such as dew point, pressure at sea level and heat index.
- High quality, accurate, solid state sensors.

### Benefits

- High quality measurement data due to careful sensor selection and extensive design testing and verification.
- Easy to set-up and integrate using comprehensive software to select the reported and derived parameters and measurement units required.
- Easy to install and long operational life, due to a compact, robust design and the selection of low maintenance sensors.
- Suitable for use with battery or solar systems in low power mode.



MaxiMet GMX300 measures 3 parameters.



MaxiMet compact weather stations are integrated into systems monitoring gas and particulate concentrations in the air.

## GMX300 Compact Weather Station

High quality, easy-to-use, integrated weather station

### AIR TEMPERATURE

Range	-35°C to +70°C
Accuracy	±0.3°C
Resolution	0.1°C
Units of measurement	°C, °F, K

### RELATIVE HUMIDITY

Range	0-100% RH
Accuracy	typically ±2% RH across full range
Resolution	1% RH
Units of measurement	% RH, g/m <sup>3</sup>

### BAROMETRIC PRESSURE

Range	300-1250 hPa
Accuracy	Absolute (typically) ±0.4 hPa 900-1100 hPa, 25-40°C Relative (typically) ±0.08 hPa
Resolution	0.1 hPa
Units of measurement	hPa, mbar, mmHg, inHg

### WARRANTY

Warranty	24 months
----------	-----------

### OUTPUTS

Digital comms modes	RS232, RS422 RS485, SDI-12, NMEA 0183, MODBUS
Protocols	ASCII, SDI-12 v1.3, MODBUS (RTU and ASCII)
Data outputs rates	1/s, 1/min, 1/hour, or polled

### POWER SUPPLY

Input voltage	5-30 VDC
Current spec @ 12 VDC	5 mA continuous mode (std unit) +10 mA with GPS option 0.7 mA eco-power mode

### MECHANICAL

Construction	UV stabilized thermoplastic
Fittings	Fit to 30mm to 58mm pole or mast
Weight	0.5 kg
Connector type	9-way clipper connector

### ENVIRONMENTAL

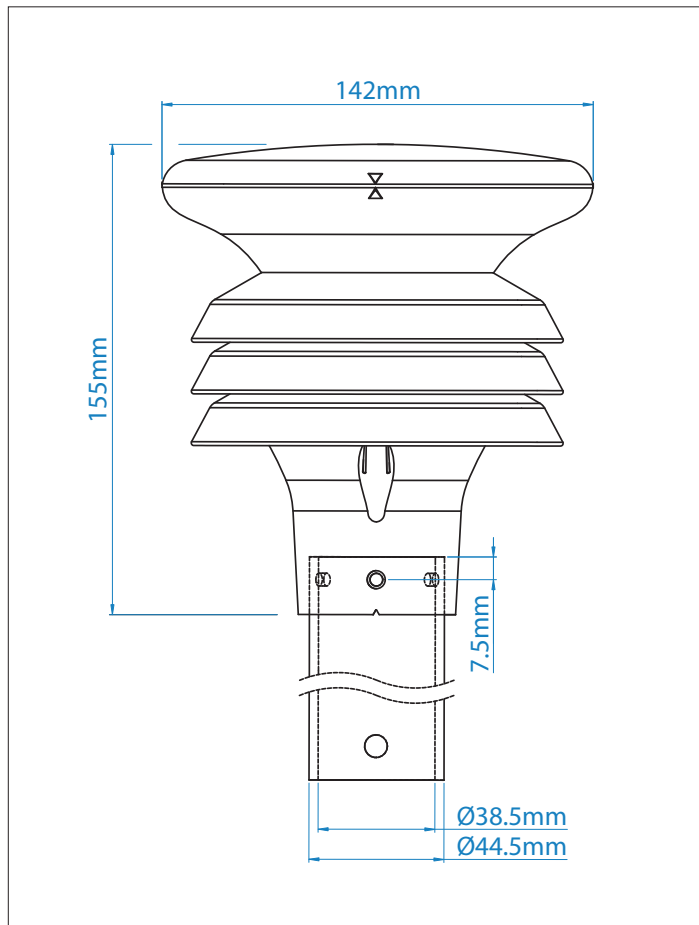
Protection class	IP66
Operating temp.	-35°C to +70°C
Storage temp	-40°C to +70°C

### STANDARD EQUIPMENT (supplied with product)

MaxiMet product
Mating connector
MetSet software*, to set-up and configure MaxiMet (comms mode, measurement units, reporting intervals, derived parameters, etc.)
MetView software*, to view reported parameters
MaxiMet User Manual*
* downloadable from Gill Instruments website

## GMX300 Compact Weather Station

High quality, easy-to-use, integrated weather station



### EXAMPLE DERIVED PARAMETERS FOR MAXIMET RANGE

A full list of derived parameters is available in the User Manual which can be downloaded from [gillinstruments.com](http://gillinstruments.com)

Average wind speed	Sunrise
Average wind direction	Solar noon
Corrected wind speed	Twilight
Corrected wind direction	Sunset
Gust wind speed and direction	Position of sun
Dew point	Angle of tilt
Wind chill	Pressure at sea level
Absolute humidity	Heat index

### ACCESSORIES

A list of the accessories available to support MaxiMet is provided on the MaxiMet Accessories Datasheet, which can be downloaded from [gillinstruments.com](http://gillinstruments.com)

**MaxiMet®**  
Compact Weather Stations  
Reliable, high quality compact, integrated weather stations

MaxiMet weather stations are supported by a range of accessories. These accessories can be used to connect, install and maintain MaxiMet. The accessories have been designed or selected to ensure the long-term performance of MaxiMet products.

Accessories	Part Number
1. 10m cable for connection to a computer	10000000
2. 10m cable for connection to a computer (with RJ45 connector)	10000001
3. 10m cable for connection to a computer (with RJ45 connector) (with RJ45 connector)	10000002
4. 10m cable for connection to a computer (with RJ45 connector) (with RJ45 connector) (with RJ45 connector)	10000003
5. 10m cable for connection to a computer (with RJ45 connector) (with RJ45 connector) (with RJ45 connector) (with RJ45 connector)	10000004
6. 10m cable for connection to a computer (with RJ45 connector) (with RJ45 connector) (with RJ45 connector) (with RJ45 connector) (with RJ45 connector)	10000005
7. 10m cable for connection to a computer (with RJ45 connector) (with RJ45 connector) (with RJ45 connector) (with RJ45 connector) (with RJ45 connector) (with RJ45 connector)	10000006
8. 10m cable for connection to a computer (with RJ45 connector) (with RJ45 connector) (with RJ45 connector) (with RJ45 connector) (with RJ45 connector) (with RJ45 connector) (with RJ45 connector)	10000007
9. 10m cable for connection to a computer (with RJ45 connector) (with RJ45 connector) (with RJ45 connector) (with RJ45 connector) (with RJ45 connector) (with RJ45 connector) (with RJ45 connector) (with RJ45 connector)	10000008
10. 10m cable for connection to a computer (with RJ45 connector) (with RJ45 connector) (with RJ45 connector) (with RJ45 connector) (with RJ45 connector) (with RJ45 connector) (with RJ45 connector) (with RJ45 connector) (with RJ45 connector)	10000009
11. 10m cable for connection to a computer (with RJ45 connector) (with RJ45 connector) (with RJ45 connector) (with RJ45 connector) (with RJ45 connector) (with RJ45 connector) (with RJ45 connector) (with RJ45 connector) (with RJ45 connector) (with RJ45 connector)	10000010

**Accessory Descriptions**

- Connector (1405PK069)**  
An optional connector is available if required. The connector is compatible with all MaxiMet models and is supplied with pins.
- Cable for operational use**  
The 10m cable can be used to connect MaxiMet to power and communication. The cable can be supplied as a 10m cable with pins fitted (1405PK069) or by the meter (1405PK069).
- Cable for setup configuration (1405PK069)**  
The cable can be used to connect a MaxiMet to a USB port on a computer. Using this method, the setup of the MaxiMet can be updated to suit a particular requirement. The cable is 10m long and supports a MaxiMet connector on one end and a USB connector on the other end.

[gillinstruments.com](http://gillinstruments.com)

### OTHER MAXIMET MODELS

	Wind	Temperature, humidity, pressure	Rain	Solar	Compass, GPS	Low power heating
<b>GMX200</b>	Y				Y, as option	
<b>GMX240</b>	Y		Integrated optical rain sensor		Y, as option	
<b>GMX301</b>		Y		Y		
<b>GMX400</b>		Y	Integrated optical rain sensor			
<b>GMX500</b>	Y	Y			Y, as option	Y, as option
<b>GMX501</b>	Y	Y		Y	Y, as option	Y, as option
<b>GMX550</b>	Y	Y	Tipping bucket connector		Y, as option	Y, as option
<b>GMX551</b>	Y	Y	Tipping bucket connector	Y	Y, as option	Y, as option
<b>GMX560</b>	Y	Y	Integrated optical rain sensor		Y, as option	Y, as option
<b>GMX600</b>	Y	Y	Integrated optical rain sensor		Y, as option	Y, as option

For more information about MaxiMet®, please contact Gill Instruments.

Designed and manufactured in the UK by Gill Instruments Limited.

[gillinstruments.com](http://gillinstruments.com)

1957-005 Issue 8  
© 2024 Gill Instruments Limited

**We represent this supplier.  
For more information contact  
Observator Instruments:**

**T: +31 (0)180 463411  
E: [info@observator.com](mailto:info@observator.com)**

Rietdekkerstraat 6  
2984 BM Ridderkerk  
The Netherlands

#### **Welcome to the world of Observator**

Since 1924 Observator has evolved to be a trend-setting developer and supplier in a wide variety of industries. Originating from the Netherlands, Observator has grown into an internationally

oriented company with a worldwide distribution network and offices in Australia, Germany, the Netherlands, Singapore and the United Kingdom.

[www.observator.com](http://www.observator.com)