

# HS-50™ & HS-100™

# GILL

## User Manual

---

### 3 Axis Horizontally Symmetric Ultrasonic Anemometers

1199-PK-102 (HS-50)

1199-PK-085 (HS-100)

Document Number: 1199-PS-0035 Issue 3



HS-50 & HS-100

Gill Instruments Limited  
Saltmarsh Park, 67 Gosport Street, Lymington,  
Hampshire, SO41 9EG, UK  
Tel: +44 1590 613500, Fax: +44 1590 613555  
Email: [anem@gillinstruments.com](mailto:anem@gillinstruments.com) Website: [www.gillinstruments.com](http://www.gillinstruments.com)

<b>1</b>	<b>FOREWORD</b> .....	<b>3</b>
<b>2</b>	<b>INTRODUCTION</b> .....	<b>3</b>
<b>3</b>	<b>PACKING LIST</b> .....	<b>4</b>
<b>4</b>	<b>OPTIONAL EXTRAS</b> .....	<b>4</b>
<b>5</b>	<b>PRINCIPLE OF OPERATION</b> .....	<b>5</b>
<b>6</b>	<b>TECHNICAL SPECIFICATION</b> .....	<b>6</b>
<b>7</b>	<b>INSTALLATION</b> .....	<b>7</b>
7.1	Handling Instructions.....	7
7.2	Installation Guidelines.....	8
7.3	Mounting.....	8
7.4	Polar definition.....	9
7.5	U, V, and W Axes definition (See fig 2).....	9
7.6	Alignment, Dimensions & Orientation.....	9
7.7	Mechanical installation.....	10
7.8	Location.....	10
7.9	Corrosion.....	10
7.10	Earthing.....	10
7.11	Cabling.....	11
7.12	Cable length.....	11
7.13	20 Way Hirose Connector.....	12
<b>8</b>	<b>OPERATION</b> .....	<b>13</b>
8.1	Overview.....	13
8.2	Operating modes.....	13
8.3	Measurement Mode.....	13
8.4	Sampling.....	13
8.5	Averaging.....	13
8.6	Wind Measurement, SoS and Temperature Reporting Format.....	14
8.7	Analogue Input Reporting Formats.....	14
8.8	Diagnostics.....	14
8.9	Confidence Tone.....	14
8.10	Result Reporting.....	14
8.11	Interactive Mode.....	15
8.12	Configuration Commands.....	15
8.13	Default Configuration Command Settings.....	15
8.14	Default Output Data String.....	15
8.15	Interrogation Commands.....	15
<b>9</b>	<b>CONNECTION TO A PC OR OTHER DEVICE</b> .....	<b>16</b>
9.1	Anemometer Connector / SIU Power and Data Connector.....	16
<b>10</b>	<b>CONNECTING AN HS UNIT TO A PC USING RS 422</b> .....	<b>17</b>
10.1	Connecting an HS Unit to a PC via Power and Communications Interface (PCI 1189-PK-021 or PCIA 1189-PK-020).....	17
10.1.1	Environmental.....	17
10.1.2	PCI/PCIA Electrical Power Requirements.....	18
10.1.3	PCI/PCIA Operation.....	18
10.1.4	PCIA Box (1189-PK-020) HS Analogue Output Connections.....	20
10.1.5	Gill Instruments HS to PCI/A Ready Made Gill Cable 1210-PK-043.....	21
<b>11</b>	<b>SYSTEM CONNECTION DIAGRAMS</b> .....	<b>23</b>
11.1	System Connection.....	23
11.2	1199-00-015 Interface Cable.....	24
<b>12</b>	<b>USING THE ANALOGUE INPUTS WITH THE HS ELECTRONICS UNIT</b> .....	<b>25</b>
12.1	Analogue Inputs.....	25
12.2	Using the Electronics Unit PRT Input.....	26
12.3	Electronics Unit Mounting Details.....	27
<b>13</b>	<b>CONFIGURING THE ANEMOMETER WITH A PC RUNNING GILL WIND SOFTWARE</b> .....	<b>28</b>
13.1	Software commands Introduction.....	30
13.2	Software Commands.....	31
<b>14</b>	<b>USING THE ANEMOMETER DIGITAL OUTPUTS</b> .....	<b>34</b>
14.1	Digital Serial Output Format.....	34
14.1.1	Binary Result Message Format (post conversion).....	34

14.1.2	ASCII Result Message Format .....	35
14.2	Status Fields .....	36
14.2.1	Inclinometer Readings .....	39
<b>15</b>	<b>USING ANALOGUE OUTPUTS WITH PCIA BOX .....</b>	<b>41</b>
	<b>(1189-PK-020).....</b>	<b>41</b>
15.1	Introduction .....	41
15.2	Analogue outputs .....	41
15.3	Analogue Sync. Output .....	42
15.4	Analogue Status Output.....	42
15.5	Test Modes .....	42
<b>16</b>	<b>VIEWING &amp; LOGGING THE DATA USING GILL WINDVIEW SOFTWARE.....</b>	<b>43</b>
<b>17</b>	<b>INSTRUCTIONS FOR USING WINDCONVERT BINARY TO ASCII CONVERSION UTILITY.....</b>	<b>49</b>
<b>18</b>	<b>MAINTENANCE &amp; FAULT-FINDING .....</b>	<b>51</b>
18.1	Cleaning .....	51
18.2	Servicing.....	51
18.3	Fault-finding .....	51
18.4	Status (error) codes .....	51
18.5	Returning units .....	51
<b>19</b>	<b>TESTS .....</b>	<b>51</b>
19.1	Bench test .....	51
19.2	Head Alignment Test.....	52
19.3	Calibration.....	52
<b>20</b>	<b>APPENDIX A .....</b>	<b>53</b>
	Summary Of Abbreviations Used In This Manual .....	53

## 1 FOREWORD

Thank you for purchasing a HS-50 or HS-100 manufactured by Gill Instruments Ltd. The units have no customer serviceable parts and require no calibration or maintenance. To achieve optimum performance we recommend that you read the whole of this manual before proceeding with further use.

Gill products are in continuous development and so specifications may be subject to change without prior notice.

The information contained in this manual remains the property of Gill Instruments and should not be copied or reproduced for commercial gain.

## 2 INTRODUCTION

This manual describes the operation of the HS-50 (1199-PK-102) and HS-100 (1199-PK-085)

The term HS is used in this manual as a general term for both the HS-50 & HS-100; they are robust three axis anemometers with no moving parts.

The units of wind speed, output rate and formats are all user selectable.

Both the HS-50 & HS-100 are constructed of stainless steel & can perform measurements in wind speeds up to 45m/s.

The HS-50 can provide an output rate up to 50Hz and the HS-100 can provide an output rate up to 100Hz.

Each unit is calibrated in a wind tunnel to ISO 16622, traceable to national standards.

**WIND** software is available free from the Gill website <http://gillinstruments.com/main/software.html>. It can be used as a terminal package to configure the anemometers

**WINDVIEW** software is available free from the Gill website <http://gillinstruments.com/main/software.html>. It provides a means of viewing data and providing a simple data logging function.

**WinConvert** software is available free from the Gill website <http://gillinstruments.com/main/software.html>. It provides a means of converting data gathered in binary format and converting it to a user readable format.

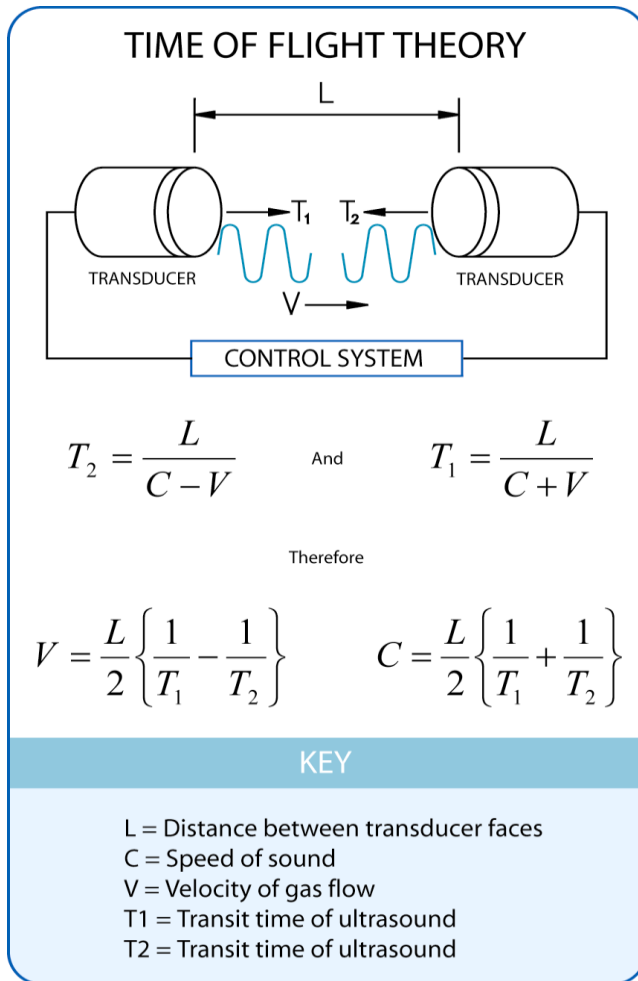
### 3 PACKING LIST

Item	Part Number	Model Supplied	
		HS-50	HS-100
HS Anemometer Frame	As Shown	1199-10-057	1199-10-057
HS Electronics Box	1199-00-027	✓	✓
Cable Assembly HS head to Electronics Box	1199-00-015	✓	✓
20-way Hirose Connector	020-01559	✓	✓
Power & Communications Interface incl Analogue	1189-PK-020	x	✓
Flight Case	1210-30-074	✓	✓
4-way Connector	020-00978	x	✓
Mains Lead	026-00244	x	✓
Plug 10 Pin Round	020-00290	✓	✓
Plug 8 Pin Round	020-00291	✓	✓

### 4 OPTIONAL EXTRAS

Item	Part Number
Power & Communications Interface – PCIA, Anemometer Power Supply & Communications, including Analogue & Digital Outputs	1189-PK-020
Power & Communications Interface – PCI, Anemometer Power Supply & Communications, Digital Output Only	1189-PK-021
Gill Instruments Anemometer Cable (RS422 & Power)	1086-M-043/XXm
20-way Hirose Connector	020-01559

## 5 PRINCIPLE OF OPERATION



**Figure 1 Time of Flight details**

The HS measures the times taken for an ultrasonic pulse of sound to travel from an upper transducer to the opposite lower transducer, and compares it with the time for a pulse to travel from lower to upper transducer.

Likewise times are compared between each of the other upper and lower transducers.

As Figure 1 shows, the air velocity along the axis between each pair of transducers can then be calculated from the times of flight on each axis.

This calculation is independent of factors such as temperature.

From the three axis velocities, the wind speed is calculated, as either signed U, V, and W, or as Polar and W.

It can be seen from Figure 1 that the speed of sound in air can be calculated from the times of flight.

From this the sonic temperature can be derived from the formula  $T_{S1} = C_1^2 / 403$

Where

$T_{S1}$  = Sonic temperature

$C_1$  = Speed of sound

Note the formula does not account for the effect of Humidity

Crosswind correction is applied to results.

## 6 TECHNICAL SPECIFICATION

Parameter	HS-50	HS-100
<b>Outputs</b>		
Data Output rates	From 0.4 to 50Hz	From 0.4 to 100Hz
Measurement Rate	50Hz (Full 3 axis measurement)	100Hz (Full 3 axis measurement)
Format	UVW or Polar (ASCII or Binary)	UVW or Polar (ASCII or Binary)
<b>Wind Speed</b>		
Range	0 - 45 m/s	0 - 45 m/s
Resolution	0.01m/s	0.01m/s
Wind Speed Accuracy *	<1%RMS @ 12m/s	<1%RMS @ 12m/s
Wind Speed Offset	<±0.01ms	<±0.01ms
<b>Direction</b>		
Range	0 – 359°	0 – 359°
Resolution	1°	1°
Directional Accuracy *	<±1°RMS	<±1°RMS
<b>Speed of Sound Measurement</b>		
Measurement Rate	50Hz	100Hz
Range	300 -370 m/s	300 -370 m/s
Resolution	0.01 m/s	0.01 m/s
Accuracy *	< ± 0.5% (For wind speeds <30ms)	< ± 0.5% (For wind speeds <30ms)
<b>Supply Input</b>		
Supply Voltage	9 to 30VDC	9 to 30VDC
Anemometer Supply Current	<300mA for 12VDC Input <150mA for 24VDC Input	<300mA for 12VDC Input <150mA for 24VDC Input
<b>Environmental</b>		
Operating Temperature	-40°C to +60°C	-40°C to +60°C
Storage Temperature	-50°C to +75°C	-50°C to +75°C
Altitude	0 to 3000m	0 to 3000m
Moisture/Dust Protection	IP65	IP65
Humidity	5 % to 100 %	5 % to 100 %
Precipitation	Operation up to 300 mm / hour	Operation up to 300 mm / hour
EMC	Emissions BS EN 50081 -1:1992 Immunity BS EN 50082 -1:1992	Emissions BS EN 50081 -1:1992 Immunity BS EN 50082 -1:1992
Input/Output Protection	>0.8J	>0.8J
<b>Serial Interface</b>		
Electrical Interface	Full Duplex RS422	Full Duplex RS422
Baud Rates	2400, 4800, 9600, 19200, 38400, 57600, 115200	2400, 4800, 9600, 19200, 38400, 57600, 115200
Format	8 data bits, 1 stop bit, No Parity	8 data bits, 1 stop bit, No Parity
<b>Analogue Inputs</b>		
Sampling Rate: measurement	50Hz Synchronous to wind	100Hz Synchronous to wind
Diff. Input Voltage Range	-5.000V to +5.000V	-5.000V to +5.000V
Accuracy	>0.05% of full scale	>0.05% of full scale
Resolution	14 bits	14 bits
Common Mode Input Range	>±8v	>±8v
Input Impedance	>1MΩ (Differential) >1MΩ (Common Mode)	>1MΩ (Differential) >1MΩ (Common Mode)
<b>PRT</b>		
Resolution	0.01°C	0.01°C
Measurement Accuracy	<±0.1°C (-40 to +50°C) <±0.15°C (+50 to +60°C)	<±0.1°C (-40 to +50°C) <±0.15°C (+50 to +60°C)
<b>Anemometer Sync Output</b>	RS422 synchronous to Wind Measurement	RS422 synchronous to Wind Measurement
<b>Inclinometer</b>		
Range	Monotonic over ±30° of tilt	Monotonic over ±30° of tilt
Resolution	0.01°	0.01°
Accuracy	±0.3° for tilt angles between ±10°	±0.3° for tilt angles between ±10°
Null Repeatability	±0.15°	±0.15°
Temperature Coefficient-Null	0.02° per °C	0.02° per °C
Temperature Coefficient –Scale Factor	0.2% per °C	0.2% per °C

\* Accuracy specification applies for wind speeds less than 32m/s and for wind incidence < ±150° in the horizontal plane and up to ±50° from the horizontal.

## 7 INSTALLATION

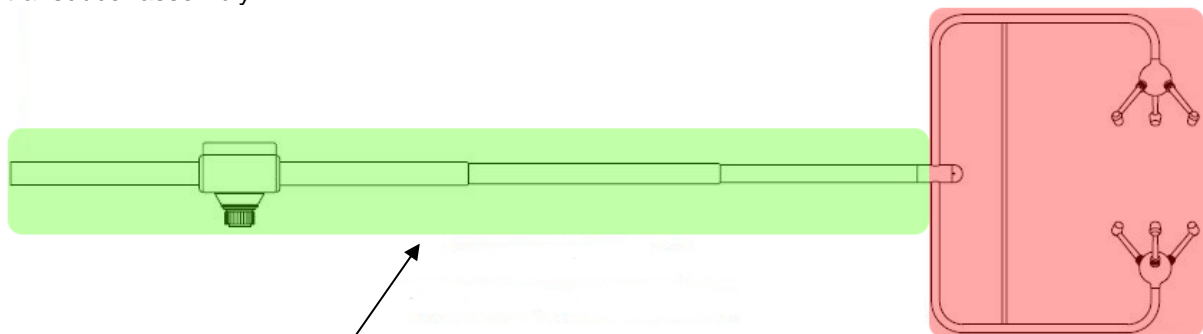
### 7.1 Handling Instructions

The HS frame should be stored and transported in the supplied flight case.

If the frame is removed from the flight case (for instance, to carry out a bench test), the protective head cover should be left in place to protect the transducers. If the head cover is removed, care must be taken to protect the transducers from damage/distortion as this will affect the accuracy of the measurements made.

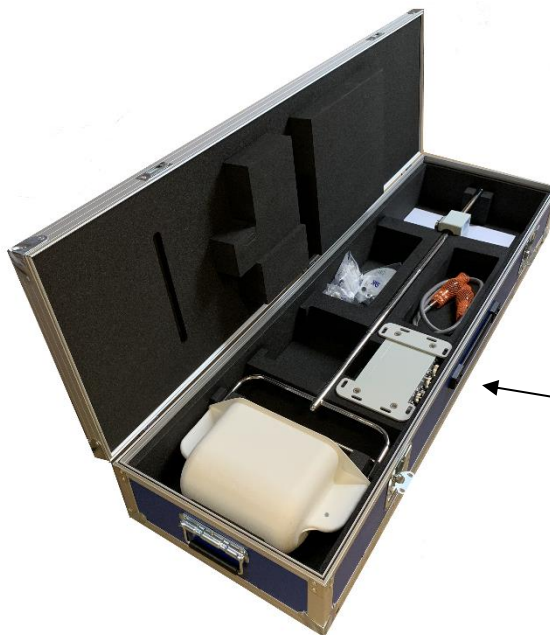
The transducers should not be used to support the weight of the frame if it is rested on a flat surface (such as a table), as this will distort the path lengths. The protective head cover should be left on under these circumstances.

When handling the frame, ensure that it is picked up by the main arm, not the frame around the transducer assembly.



Handle the HS frame highlighted in the green section only.

Handling the HS frame by the measurement area (highlighted in red) may result in damage to the unit.



Ideally the HS frame should be kept in the flight case with the Head cover in place up until deployment/installation.



## 7.2 Installation Guidelines

As with any sophisticated electronics, good engineering practice should be followed to ensure correct operation.

- Always check the installation to ensure the HS is not affected by other equipment operating locally, which may not conform to current standards, e.g. radio/radar transmitters, boat engines, generators etc.
- Guidelines –
  - Avoid mounting in the plane of any radar scanner – a vertical separation of at least 2m should be achieved.
  - Radio transmitting antennas, the following minimum separations (all round) are suggested.
    - VHF IMM – 1m
    - MF/HF – 5m
    - Satcom – 5m (avoid likely lines of sight)
- Use cables recommended by Gill. If cables are cut and re-connected incorrectly (perhaps in a junction box) then EMC performance may be compromised if cable screen integrity is not maintained.
- Earth loops should not be created – wire the system in accordance with the installation guidelines.
- Ensure the power supply operates to the HS specification at all times.
- Avoid turbulence caused by surrounding structures that will affect the accuracy of the HS such as trees, masts and buildings.
- The World Meteorological Organisation makes the following recommendation:
- The standard exposure of wind instruments over level open terrain is 10m above the ground. Open terrain is defined as an area where the distance between the sensor and any obstruction is at least 10 times the height of the obstruction.
- If the sensor is to be mounted on a mast boom, part way up a tower or mast, then the boom should be at least twice as long as the minimum diameter or diagonal of the tower. The boom should be positioned on the prevailing wind side of the tower.
- If mounted on a pole then as a guide the distance from an adjacent pole should be 10 times the other pole diameter.
- If mounting on a building then as a guide the sensor should be mounted at a height of 1.5 times the height of the building.

## 7.3 Mounting

Please see pages 8 to 11 for information on alignment and mounting of the HS.

### 7.4 Polar definition

The wind speed in the UV plane, with direction in degrees from 0 to 359°, with respect to the Reference spar (which is normally aligned to North).

### 7.5 U, V, and W Axes definition (See fig 2).

+U is defined as towards the direction in line with the north spar as indicated in the diagram.

+V is defined as towards the direction of 90° anti-clockwise from N / the Reference spar.

+W is defined as vertically up the mounting shaft.

Note, when the unit is configured for the **ALIGN AXIS** setting the UV definition rotates 30 degrees anti-clockwise such that U is now in line with transducer axis 1.

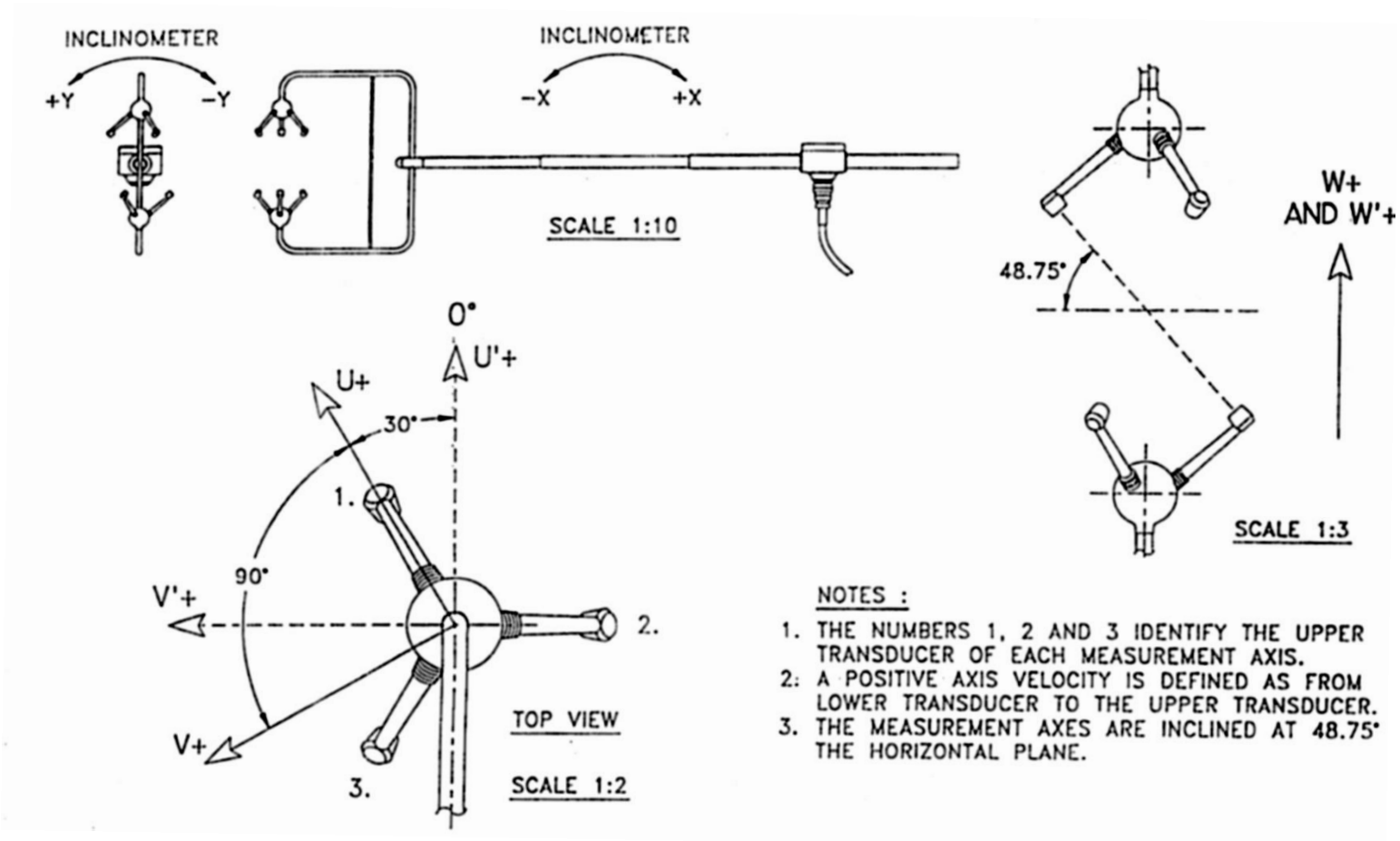
### 7.6 Alignment, Dimensions & Orientation

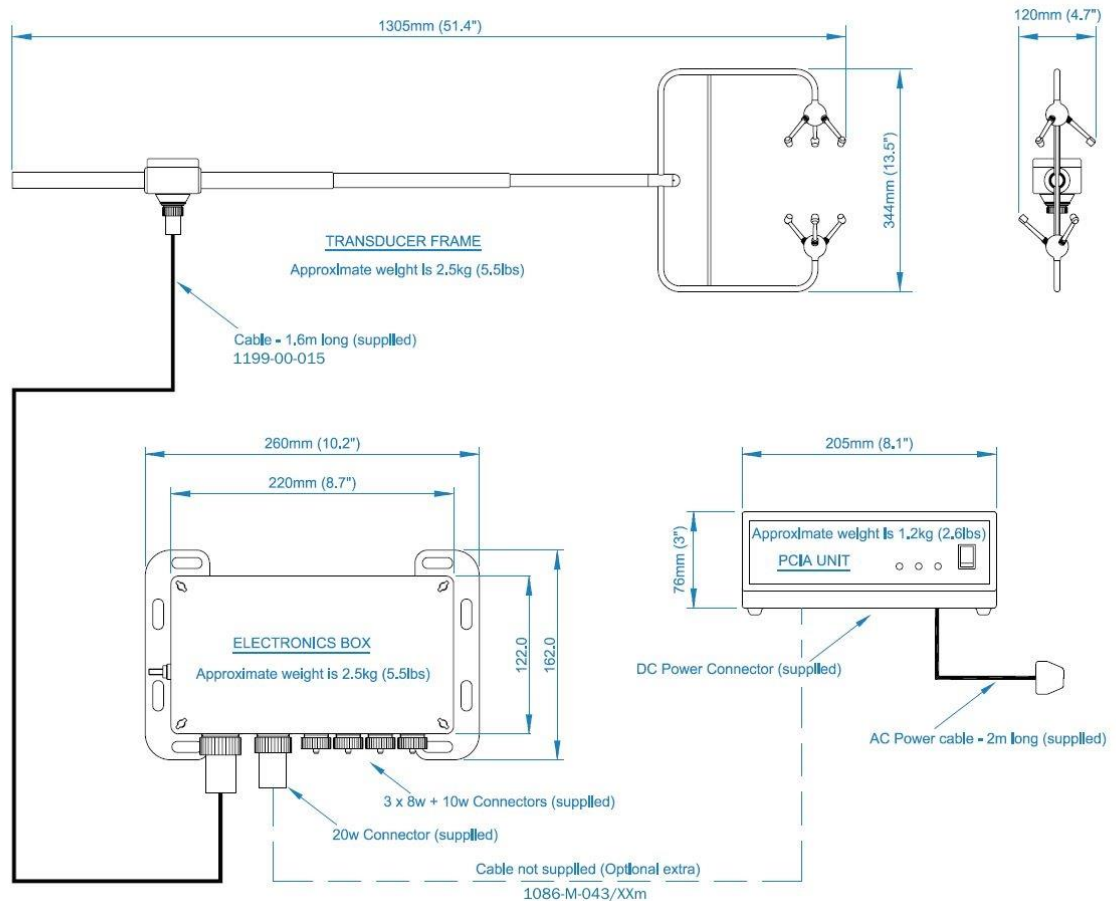
It is recommended that the head is aligned so that the upper transducer sphere is directly above the lower transducer sphere. The inclinometer has been calibrated to read zero on both axes when this position is reached.

Figure 2 shows the direction and polarity for the UVW axes

Figure 3 shows the dimension & alignment information for the system.

**Figure 2 U, V and W Axes Definition**



**Figure 3 Dimensions & Alignment Details**

## 7.7 Mechanical installation

Before installing, it is strongly recommended that a bench test is carried out.

## 7.8 Location

Select a position so that the unit is clear of any structure, which may obstruct the airflow or induce turbulence.

Do NOT mount the HS in close proximity of high-powered radar or radio transmitters. A site survey may be required if there is any doubt about the strength of external electrical noise.

## 7.9 Corrosion

Galvanic corrosion is possible unless stainless steel fixings are used for mounting the head and electronics unit. This will ensure that the anemometer will provide long service in extreme conditions such as a marine environment, for example.

## 7.10 Earthing

For maximum protection against lightning the anemometer must be earthed via its mountings. The Electronics unit and PCI/PCIA should be earthed using the earth studs provided.

Inadequate grounding will degrade anemometer performance, particularly in the presence of radio frequency interference.

The unit **MUST** be connected to an appropriate grounding point with a minimum of 6mm<sup>2</sup> copper wire, via the M4 base screws. The primary earth for the anemometer must be provided via the earth stud and not via the cable screens.

## 7.11 Cabling

Ensure that strain relief measures are employed when installing the cables. Do not allow the whole weight of a cable to be applied to the connector.

An RS422 compatible cable should be used, with the number of twisted pairs matching the application.

**Generic description** – Twisted pairs with drain wire, screened with aluminised tape, with an overall PVC sheath.

Typical Wire size 7/0.2mm (24AWG), 22AWG wire may also be used.

The table shows some suitable manufacturers' references; other manufacturers' equivalents can be used.

No. of pairs	Gill ref.	Belden ref.	Batt electronics ref.
9	026 - 02663	8774	91009

The cable allows for the connection of all: -

Power inputs.

Digital data inputs and outputs.

Other example twisted pair screened cable types (24AWG) are:-

No. of pairs	Gill ref.	Belden ref.	Batt electronics ref.
2	-	9729	-
3	026 - 02660	9730	91030
4	026-03156	9728	91199
6	-	9731	91031

## 7.12 Cable length

Communication format	Baud rate	Max. cable length
RS232 (PCIA Output)	9600	6.5 m (20 ft) or if using Cat 5 cable see manufacturers recommendations
RS422	9600	1 km (3200 ft)
Analogue outputs - voltage	N/A	6.5 m (20 ft)

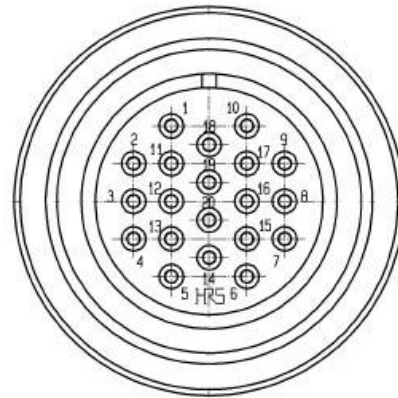
The maximum cable length is dependent on the chosen communication format (RS232, RS422 or RS485), the baud rate, and, to a lesser extent, on the cable type and the local electrical 'noise' level.

The above table shows the typical maximum lengths at the given baud rates, using the recommended cable. If any problems of data corruption etc. are experienced, then a slower baud rate should be used. Alternatively, a thicker or higher specification cable can be tried.

### 7.1320 Way Hirose Connector



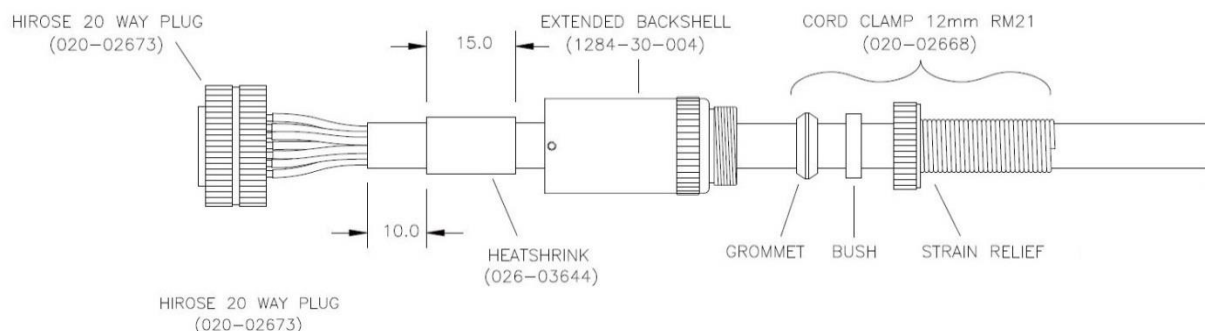
1 Pin Connections, rear of 20-way Hirose



2. Pin Connections, contact side of 20-way Hirose

Pin Number	Designation
1	Reserved
2	RS422 Tx+
3	RS422 Tx-
4	RS422 Rx+
5	RS422 Rx-
6	Supply +ve
7	Reserved
8	Reserved
9	Chassis
10	Anemometer Sync -
11	Not Connected
12	Not Connected
13	Digital 0v
14	Supply -ve
15	Reserved
16	Reserved
17	Reserved
18	Anemometer Sync +
19	Reserved
20	Reserved

Assembly of the 20-way Hirose connector is shown below:



The outer sheath needs to be cut back by 45mm and the individual wires need to have their insulation stripped back by 3mm.

## 8 OPERATION

### 8.1 Overview

- Data output rates up to 100Hz (model dependant).
- Measurement of wind velocities to 45ms.
- Wind speed accuracy < 1% RMS.
- Configuration carried out via serial port and stored in non-volatile memory.
- High speed, full duplex RS422 interface, operating up to 115200 baud.
- Background diagnostics providing the user with the confidence that the unit is operating correctly.
- Optional Sensor Input Unit provides six differential 14 bit analogue inputs and one PRT100 input.
- Optional Power & Communications Interface with 4 Analogue outputs representing wind speed and Speed of Sound or Sonic Temperature.

### 8.2 Operating modes

The anemometer has two operating modes:

1. Measurement mode - This is the normal mode of operation, which is the default mode from power up.
2. Interactive mode - This allows the anemometer to be configured and interrogated.

### 8.3 Measurement Mode

The principle of operation is described in Section 5 (page 5). The parameters sampled are determined by the anemometer's configuration and consist of:

1. Wind velocity (axis velocities are always sampled)
2. Speed of Sound (SoS)
3. Analogue Inputs (6)
4. Absolute Temperature (PRT100)

The way in which the results are calculated, formatted and reported depends upon the configuration of the anemometer.

### 8.4 Sampling

Wind velocity, SoS and analogue inputs are sampled every 10ms, in a fixed sequential pattern. The PRT100 is sampled every 40ms. The measurement sequence is shown in Drawing Number 1210-K-068 on page 42.

### 8.5 Averaging

These samples are block averaged before being converted into results. For wind speed, SoS and analogue inputs the number of samples used in the block average can be set to between 1 and 250 (HS-100) or 2 and 250 samples (HS-50).

E.g. Default Average Setting is 5 therefore Output Rate =  $100/5 = 20\text{Hz}$ .

The corresponding maximum number of PRT100 samples per result is 62.

## 8.6 Wind Measurement, SoS and Temperature Reporting Format

The wind measurement can be output in one of the following formats:

1. U, V & W, calibrated (ms)
2. U, V & W, uncalibrated (ms)
3. Polar & W, calibrated (° & ms)
4. Polar & W, uncalibrated (° & ms)
5. Axis velocities, uncalibrated (ms)

In U, V,W modes the alignment of the U and V axes can be selected as follows:-

**Axis U** in line with Axis 1 when the anemometer is viewed from above.

**Spar U** is in line with the main spar when viewed from above. In this configuration U, V, W are labelled U', V', W'.

The U, V, W axis alignment options are shown in the relevant U, V, W axis definition drawing on page 8, figure 2.

The axis alignment can be selected using the Configuration menu and the ALIGNUVW command if using your own PC software.

The speed of sound measurement results can be output in one of the following formats:

1. Speed of Sound (ms)
2. Sonic Temperature (K)
3. Sonic Temperature (°C)

Speed of sound measurements can be disabled.

The absolute temperature measurement results can be output in one of the following formats:

1. Absolute Temperature (K)
2. Absolute Temperature (°C)

Absolute temperature measurements can be disabled.

## 8.7 Analogue Input Reporting Formats

If ASCII format is selected, analogue input measurements are output in volts to 4 decimal places. If binary format is selected, analogue input measurements are output in 2's complement.

The number of analogue inputs to be measured can be set from 0 to 6.

## 8.8 Diagnostics

The system reports error codes if a failure is detected of the ultrasonic transducers, non-volatile memory or PRT.

## 8.9 Confidence Tone

This function is enabled by default, normal operation is indicated by a repetitive tone within the anemometer.

To turn off the Confidence Tone place the unit into Interactive Mode and use the command CTONE DISABLE.

## 8.10 Result Reporting

The selected parameters are blocked together along with the diagnostic results and block control information to form a result message. The result message can either be in a Binary or ASCII format. In the ASCII format the fields can be padded to form a fixed field size if required. The way the result message is transmitted is dependent on the reporting mode:

1. Continuous mode - the result message is transmitted immediately after calculation.
2. Polled mode - the host pc requests data from the anemometer. The anemometer responds by sending the current result message.

## 8.11 Interactive Mode

Interactive mode is entered from measurement mode, by sending the anemometer the appropriate command. In this mode the user can communicate with the anemometer, issuing configuration commands to the anemometer, or requesting information from the anemometer.

## 8.12 Configuration Commands

Configuration commands allow the user to configure the anemometer as required. The configuration parameters are held in non-volatile storage, allowing the anemometer to retain its current configuration when powered down.

## 8.13 Default Configuration Command Settings

Factory settings are:-

AVERAGE	5
WINDREP	UVW CAL
SOSREP	SONICTEMP K
ABSTEMP	OFF
ANAIP	DDDDDD (DISABLED)
AOPFSD	30
POLARWRAP	360
STRFMT	ASCII UNPAD
ASCTERM	CRLF
ECHO	ON
MSGMODE	CONT
BAUD	9600
CTONE	ON
ALIGN	AXIS
INST	OFF

## 8.14 Default Output Data String

The Structure of the Factory HS Default Output Data String is as follows:-

Status Codes, U, V, W, Speed of Sound, Checksum.

```
01,08,+00.01,+00.00,+00.00,343.50,12
02,18,+00.01,+00.00,+00.00,343.50,10
03,00,+00.01,+00.00,+00.00,343.50,18
04,00,+00.01,+00.00,+00.00,343.50,1F
05,00,+00.01,+00.00,+00.00,343.50,1E
06,02,+00.01,+00.00,+00.00,343.50,1F
07,00,+00.01,+00.00,+00.00,343.50,1C
08,09,+00.01,+00.00,+00.00,343.50,1A
09,FF,+00.01,+00.00,+00.00,343.50,12
10,EB,+00.01,+00.00,+00.00,343.50,1D
```

## 8.15 Interrogation Commands

Interrogation commands allow the user to request a variety of information from the anemometer.

E.g. ?, CONFIG, EXIT, HELP, IM, SN, VER and VERIFY.

See Para 13.2.



## 9 CONNECTION TO A PC OR OTHER DEVICE

Connection to a PC or other device requires the use of:

1. Either a standard PCI or PCIA
2. Or a suitable alternative power supply and RS422 conversion unit, which meets the specification of the anemometer.

The PCIA supplies power for the anemometer and provides conversion of the RS422 signal sent by the anemometer and the RS232 signal required by a PC. The PCIA requires connection to a mains power supply or DC.

The anemometer outputs data in RS422 format, which can be reconstituted to analogue via the optional PCIA.

Baud rate options are:

1. 2400
2. 4800
3. 9600
4. 19200
5. 38400
6. 57600
7. 115200 (**Note:** if changing a unit to 115200 Baud rate ensure that the connecting device supports 115200 baud e.g. RS422 converter, PC/Laptop etc.).

Data format:

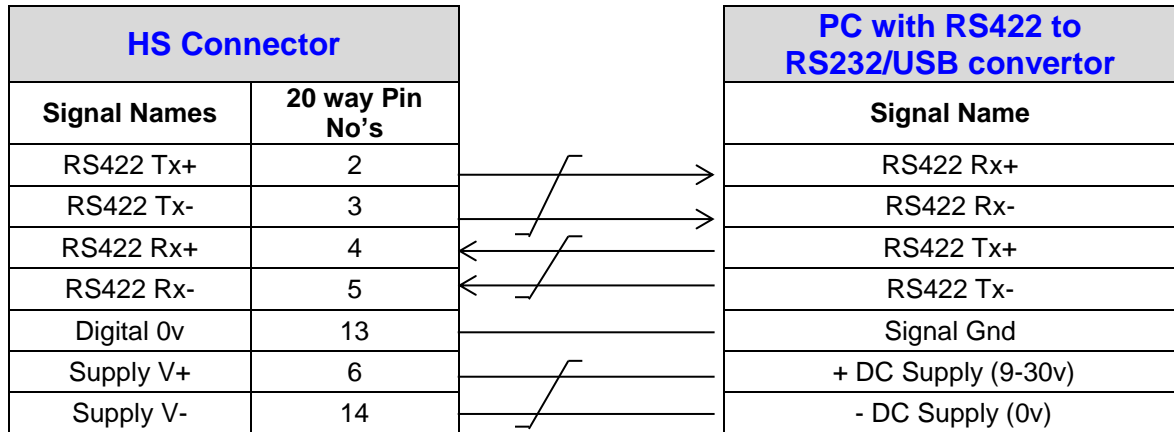
8 data, 1 stop, no parity.

### 9.1 Anemometer Connector / SIU Power and Data Connector Hirose 20 way socket

Connector pin	Designation
1	Reserved
2	RS422TXB (Data from anemometer)
3	RS422TXA (Data from anemometer)
4	RS422RXB (Data to anemometer)
5	RS422RXA (Data to anemometer)
6	Supply V+
7	Reserved
8	Reserved
9	Chassis
10	Anemometer Sync-
11	Not used
12	Not used
13	Digital 0V, signal ground
14	Supply V-
15	Reserved
16	Reserved
17	Reserved
18	Anemometer Sync +
19	Reserved
20	Reserved

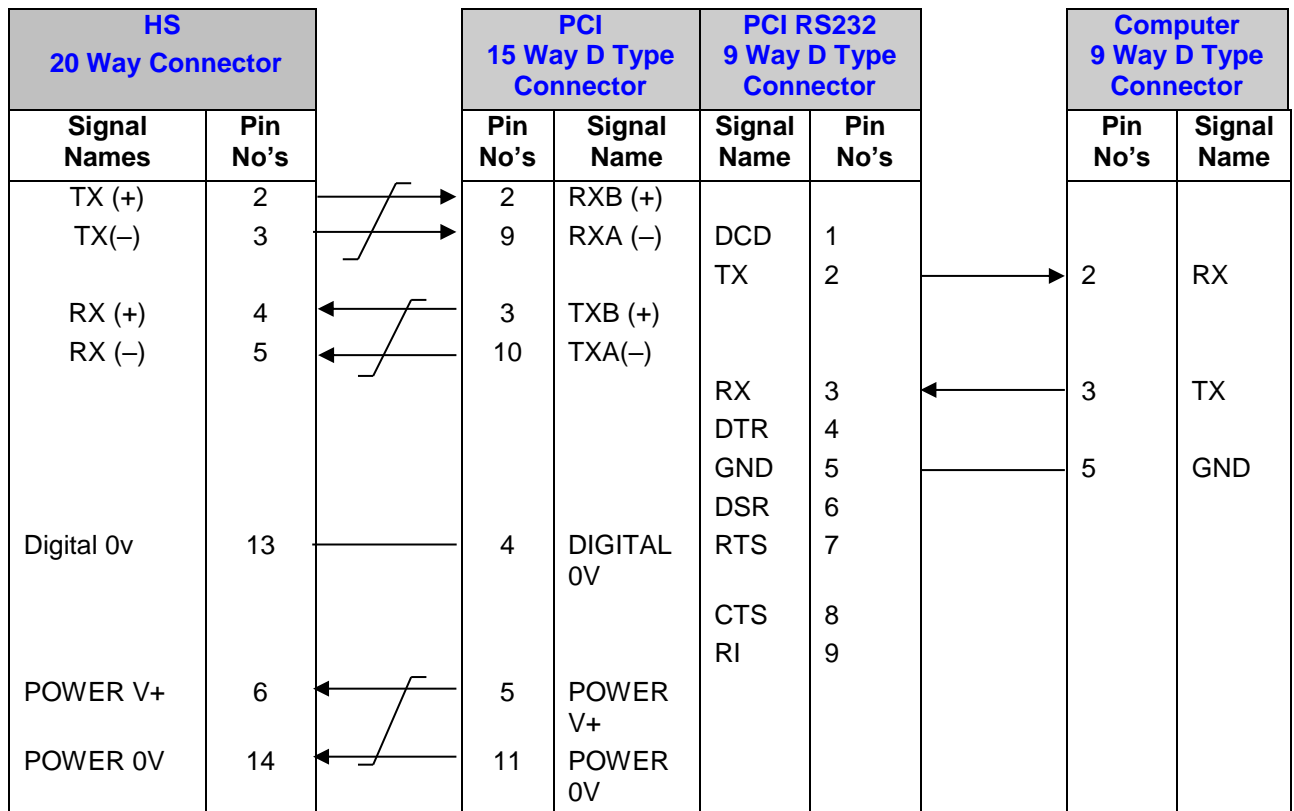
The above voltages are referenced to signal ground.

## 10 CONNECTING AN HS UNIT TO A PC USING RS 422



### 10.1 Connecting an HS Unit to a PC via Power and Communications Interface (PCI 1189-PK-021 or PCIA 1189-PK-020)

Dependent upon system requirements the HS unit can be operated with the Power and Communications and Interface unit (PCI) or Analogue Output version (PCIA), which can be ordered as an optional extra. Connect HS via RS422 port; then connect computer to RS232 port on PCI/PCIA.



#### 10.1.1 Environmental

The Desktop PCI/PCIA is intended for use in a protected environment and provides interfacing to a single anemometer. RS232 and RS422 ports are provided. The PCI/OCIA is not intended for outdoor use.

**10.1.2 PCI/PCIA Electrical Power Requirements**

- 1) 100Vac - 120Vac, 10VA from a mains supply for the 115V switch position.
  - 2) 200Vac - 250Vac, 10VA from a mains supply for the 230V switch position.
  - 3) 9 - 30Vdc, 55mA from an external low voltage supply for the anemometer (excluding analogue outputs).
  - 4) 8 - 18Vdc, 50mA max from an external low voltage supply for the interface box only.
- 3 fuses protect the unit:
1. Externally accessible 1 A (T) for 115/230v operation.
  2. Internally accessible 500 mA (T) AUX.
  3. Internally accessible 500 mA (T) ANEM.

**10.1.3 PCI/PCIA Operation.**

There are three Red LED's on the PCI/PCIA front panel.  
 When the PCI/PCIA box is powered the Power LED will illuminate.  
 When a HS is connected as above to the PCI/PCIA box and is set to output continuous data the box RX LED will flash on/off at the HS output rate thus giving a good indication that the HS output is wired to the ox correctly and outputting RS422 data correctly.  
 If the PCI/PCIA RS 232 connection is connected to a computer then when a terminal programme is opened and commands sent by a PC keypad or program to the box its TX LED will illuminate intermittently indicating a good connection between the PC and the box. Connector Pin and Cable Assignments for PCI/PCIA are as follows:-

Anemometer Connector 15 – Way	
Pin	Designation
1	Screen
2	RS422_RXB (+)
3	RS422_TXB (+)
4	Digital 0V, Signal ground
5	Supply V+
6	Anemometer Sync +
7	Not used
8	Anemometer Sync -
9	RS422_RXA (-)
10	RS422_TXA (-)
11	Supply V-
12	Not Used
13	Not Used
14	Not used
15	Not Used

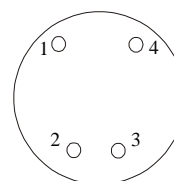
External, DC Supply 4 - Way	
Pin	Designation
1	Interface Box V+
2	Interface Box V-
3	Anemometer Only V-
4	Anemometer Only V+

Sync/Auxiliary Output 9 Way	
Pin	Designation
1	Not Used
2	Not Used
3	Not Used
4	Not Used
5	Not Used
6	Anemometer Sync +
7	Anemometer Sync -
8	Not Used
9	Not Used

RS232 Output - 9 way	
Pin	Designation
1	DCD
2	TX data
3	RX data
4	DTR
5	Signal Ground
6	DSR
7	RTS
8	CTS
9	RI

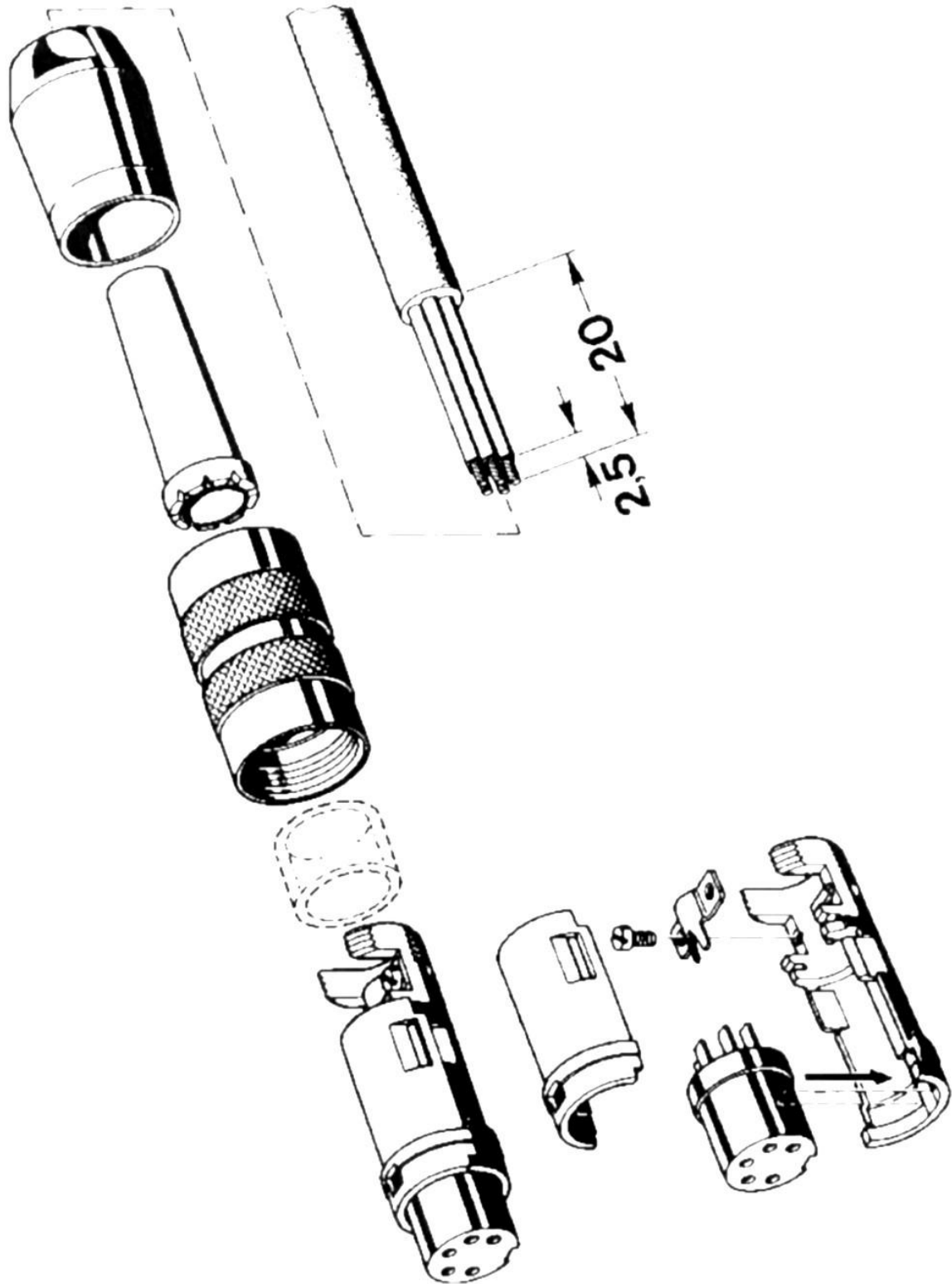
RS422/Network Input 9 Way	
Pin	Designation
1	Not connected
2	Not connected
3	Not connected
4	RS422_RXA (-)
5	Signal ground
6	RS422_TXA (-)
7	RS422_TXB (+)
8	RS422_RXB (+)
9	Earth

**External D.C. Supply Amphenol C91A Screw Lock 4 Way Socket, e.g. T3301 001.**



View looking at pins

### Assembly of Amphenol C91A Screw Lock Socket



### 10.1.4 PCIA Box (1189-PK-020) HS Analogue Output Connections.

If a PCIA box is available then a HS with Analogue Output option connections can be routed from the 15 Way D type Input connector directly to the Auxiliary 9 way D type Output connector. (Note: The PCIA box converts the digital output from the HS to analogue outputs).

Function	PCIA Box 25 Way D Type Connector
1	Analogue Ground 1
2	Analogue Ground 2
3	Analogue Ground 3
4	Analogue Ground 4
5	Analogue Ground 5
6	Analogue Ground 6
7	Analogue Ground 7
8	Analogue Ground 8
9	Test Pin 1
10	Signal Ground
11	Earth
12	Signal Ground
13	Signal Ground
14	Analogue Output 1
15	Analogue Output 2
16	Analogue Output 3
17	Analogue Output 4
18	Analogue Output 5
19	Analogue Output 6
20	Analogue Output 7
21	Analogue Output 8
22	Test Pin 2
23	Earth
24	Status Output
25	Sync Output

The **analogue outputs** have the following specification:

Full scale range: -2.5v to +2.5v

Accuracy: 0.25% of full scale (9 bits)

Resolution: 14 bits over  $\pm 3.0v$

Settling time: 2ms to 0.25% accuracy (note that the minimum time between samples is 10ms)

Output resistance:  $<0.5\Omega$  at frequencies below 100Hz, short circuit proof

Load resistance: Greater than 10k $\Omega$

Load capacitance: Between 0 and 1000pF (e.g. up to 10m of coaxial cable)

#### **Test 1, Test 2 Inputs**

Logic high (inactive) +3V to +5V or open circuit

Logic low (active)  $<1V$

The above voltages are referenced to signal ground.

#### **Analogue Sync and Status Outputs**

Both Sync and status outputs conform to the following electrical specification:

Output Voltages: high +3V to +5V

(referred to signal ground) low  $<1V$

Output resistance:  $<100\Omega$ , short circuit proof

Load resistance: Greater than 10k $\Omega$

Load capacitance: Between 0 and 1000pF (e.g. 10m of coax)

### 10.1.5 Gill Instruments HS to PCI/A Ready Made Gill Cable 1210-PK-043

The optional 1086-10-043 cable allows for connection between either the PCI/PCIA and HS or the SIU.

**NOTES:-**

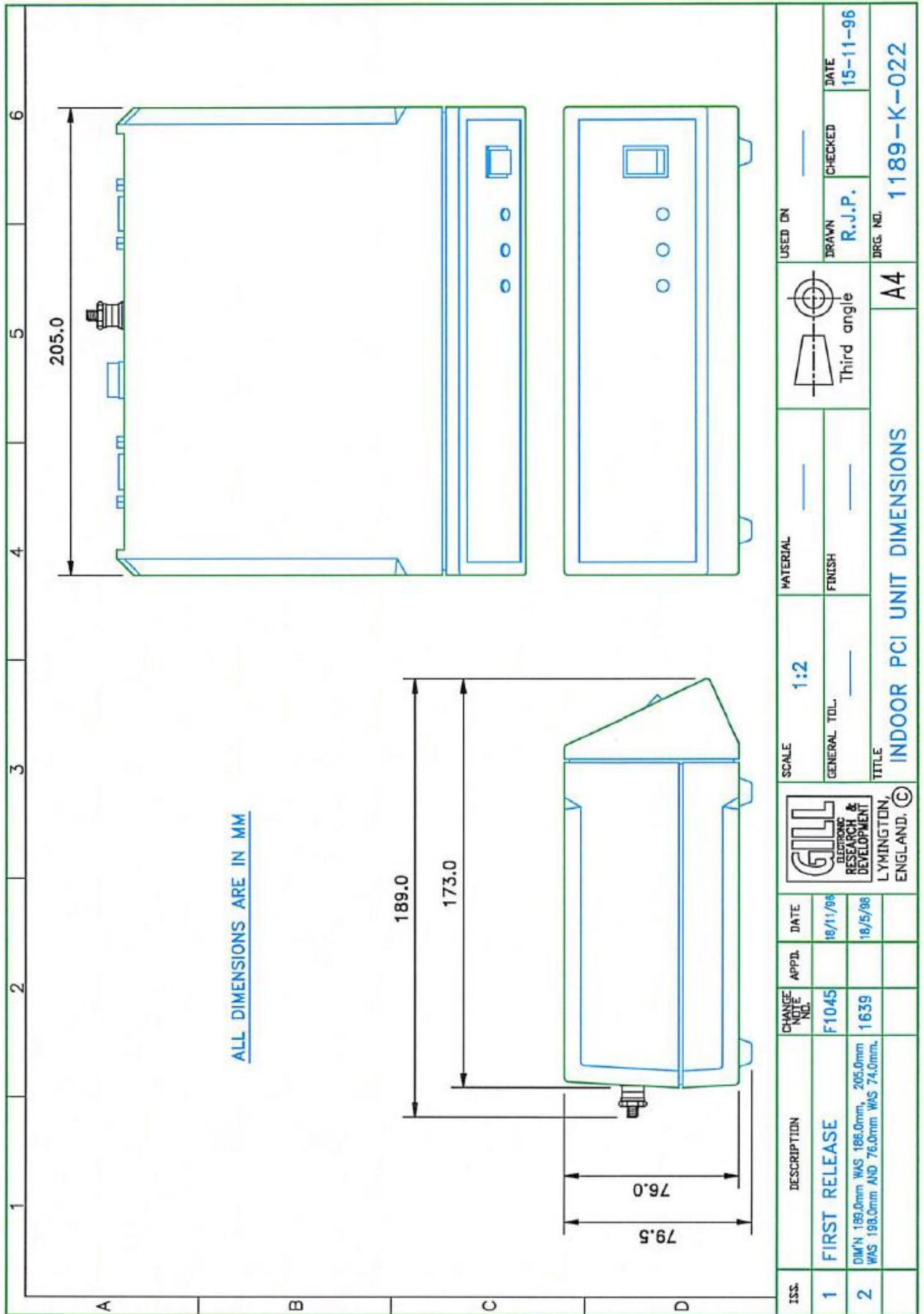
1. STRIP BACK OUTER SHEATH AT HIROSE END BY 25±2mm AND STRIP INDIVIDUAL WIRES 25mm.
2. STRIP BACK OUTER SHEATH AT 'D' CONNECTOR END BY 25mm AND STRIP INDIVIDUAL WIRES 3mm.
3. USE BLACK WIRE 026-01742 (35±2mm AT THE HIROSE CONNECTOR END AND 20±2mm AT THE 'D'-TYPE CONNECTOR END) TO FORM TWO LINKS BETWEEN CABLE SCREENS SET = PAIR 1,2&4, 2&6 SET = PAIR 3,5&6. BEFORE SOLDERING BOTH WIRES INTO SOLDER BUCKET. SCREENS SHOULD BE HOOK JOINTED WITH BLACK WIRE USING HEATSHRINK 026-02680.
4. FIT HELLERMAN SLEEVES 1.5 x 7mm (026-02463) TO DRAIN WIRE SOLDER CONNECTIONS AND HELLERMAN SLEEVES 1.2 x 7mm (026-02462) TO ALL OTHER SOLDER CONNECTIONS.
5. HELLERMAN SLEEVES SUPPLIED WITH HIROSE CONNECTOR (036-00673) BUT RETAIN 'D' RING AND GROSSREVIEW FOR USE WITH EXTENDED BACKSHELL.
6. HELLERMAN SLEEVES SUPPLIED WITH HIROSE CONNECTOR (036-00673) BUT RETAIN 'D' RING AND GROSSREVIEW FOR USE WITH EXTENDED BACKSHELL.
7. ENSURE OUTER CABLE SHEATH EXTENDS INTO THE EXTENDED BACKSHELL AND IS PROPERLY SECURED BY THE CORD CLAMP.
8. POSITION WRITE-ON LABEL (GILL PART NO. 036-01291) AS SHOWN ONCE HIROSE CONNECTOR HAS BEEN ASSEMBLED.

**END VIEW OF CABLE AT HIROSE CONNECTOR END SHOWING CORRECT WIRE COLOUR ORIENTATION**

ALL PREVIOUS REVISIONS ARE TO BE ARCHIVED, DESTROYED OR MARKED AS SUPERCEDED

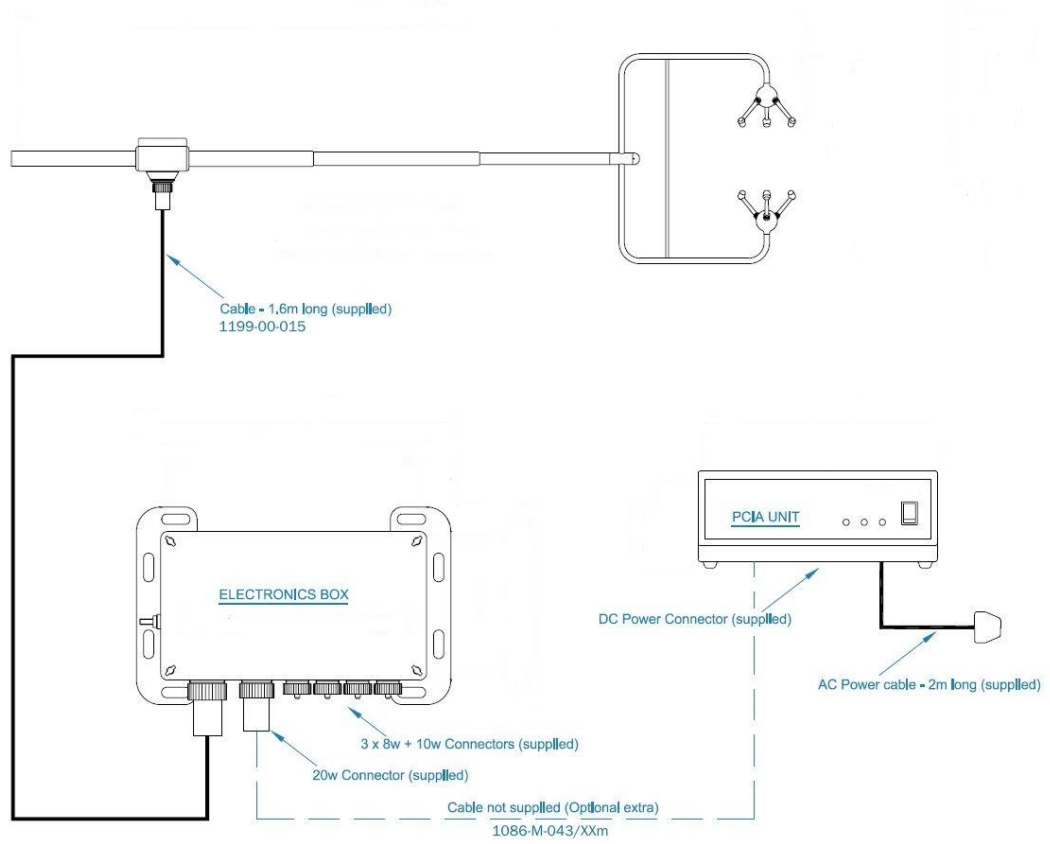
TITLE		MATERIAL		TOLERANCE (U.O.S)	
R3 ANEMOMETER CABLE (VOLTAGE OUT)		N/A		N/A	
DRAWING NUMBER		N/A		SCALE (U.O.S)	
1210-10-092		N/A		N.T.S	
SURFACE FINISH (U.O.S)		REMOVE ALL SHARP EDGES		THIRD ANGLE PROJECTION	
0 DEC PLACE ±0.05MM		1 DEC PLACE ±0.05MM		2 DEC PLACE ±0.05MM	
ANGLES ±0.5 DEG		PROJECTION		SURFACE FINISH (U.O.S) 1µm Ra	
NEW DRAWING		RCC		M/E	
ISS / DATE		DRAWN / APPD		DATE	
01 / F-8665					
DESCRIPTION		NEW DRAWING		RCC	
ISS / DATE		DRAWN / APPD		DATE	

Doc No: 2002-0608 Iss: 01 CN: F-8673 Approved: SS Date: 04/07/16



# 11 SYSTEM CONNECTION DIAGRAMS

## 11.1 System Connection





# 11.2 1199-00-015 Interface Cable

The 1.5 metre 1199-00-015 cable supplied allows for connection between the HS Frame and the Electronics Unit.

**WIRING DIAGRAM:**

PAIR	WIRE	DESCRIPTION	LINK WIRES	CHASSIS
ELECTRONICS BOX END	1	RED	LINK WIRES (026-01742) 35.0±2mm	CHASSIS L
	2	GREEN	LINK WIRES (026-01742) 35.0±2mm	CHASSIS M
	3	RED	LINK WIRES (026-01742) 35.0±2mm	CHASSIS N
	4	RED	LINK WIRES (026-01742) 35.0±2mm	NOT USED
	5	BROWN	LINK WIRES (026-01742) 35.0±2mm	NOT USED
	6	BLACK	LINK WIRES (026-01742) 35.0±2mm	NOT USED
	7	YELLOW	LINK WIRES (026-01742) 35.0±2mm	NOT USED
	8	BLACK	LINK WIRES (026-01742) 35.0±2mm	NOT USED
	9	BLACK	LINK WIRES (026-01742) 35.0±2mm	NOT USED
	10	BLACK	LINK WIRES (026-01742) 35.0±2mm	NOT USED
	11	BLACK	LINK WIRES (026-01742) 35.0±2mm	NOT USED
	12	BLACK	LINK WIRES (026-01742) 35.0±2mm	NOT USED
ELECTRONICS UNIT END	1	RED	LINK WIRES (026-01742) 35.0±2mm	CHASSIS L
	2	GREEN	LINK WIRES (026-01742) 35.0±2mm	CHASSIS M
	3	RED	LINK WIRES (026-01742) 35.0±2mm	CHASSIS N
	4	RED	LINK WIRES (026-01742) 35.0±2mm	NOT USED
	5	BROWN	LINK WIRES (026-01742) 35.0±2mm	NOT USED
	6	BLACK	LINK WIRES (026-01742) 35.0±2mm	NOT USED
	7	YELLOW	LINK WIRES (026-01742) 35.0±2mm	NOT USED
	8	BLACK	LINK WIRES (026-01742) 35.0±2mm	NOT USED
	9	BLACK	LINK WIRES (026-01742) 35.0±2mm	NOT USED
	10	BLACK	LINK WIRES (026-01742) 35.0±2mm	NOT USED
	11	BLACK	LINK WIRES (026-01742) 35.0±2mm	NOT USED
	12	BLACK	LINK WIRES (026-01742) 35.0±2mm	NOT USED

**COMPONENTS:** TRANSUCER 1A-12, TEMPERATURE, CLINOMETER SYNC, CLINOMETER FREQ, SWITCHED POWER +, SWITCHED POWER -, ANALOGUE GND, DIGITAL GND, +15V ANALOGUE, -15V ANALOGUE, CHASSIS L, CHASSIS M, CHASSIS N.

**NOTES:**

- TRIM BACK OUTER CABLE SHEATH 35±2mm AT BOTH ENDS AND STRIP INDIVIDUAL WIRES TO 3±1mm.
- TRIM BACK BRAID TO 12.0±2mm AND TWIST-UP IN PAIRS (1&2, 4&5, 3&6, 8&11, 7&9, 10&12). FORM HOOK JOINT AND ATTACH LINK WIRES TO THE HOOK JOINT WITH SOLDER BUCKETS (026-02680) PAIRS 1&2, 4&5, 3&6, 8&11, 7&9, 10&12.
- STRIP LINK WIRES TO 1.5mm AND SOLDER THEM INTO THE HOOK JOINT WITH SOLDER BUCKETS (026-02680).
- STRIP ALL REMAINING WIRES TO 1.5mm AND SOLDER THEM INTO THE HOOK JOINT WITH SOLDER BUCKETS (026-02680).
- DISCARD SHIELD SUPPLIED WITH CONNECTOR BUT RETAIN TO RING AND GRIPScrew FOR USE WITH EXTENDED BACKSHELL.
- ENSURE OUTER CABLE SHEATH EXTENDS INTO THE EXTENDED BACKSHELL AND IS PROPERLY SECURED BY THE CORD CLAMP.
- FIT NETLON PROTECTIVE SLEEVE (026-05127) CUT TO 130mm OVER EXTENDED BACKSHELL AND CLAMP ONCE TESTED.

PRODUCTION

REV	DATE	DESCRIPTION	BY	CHKD	APPROVED	DATE	COMP	SCALE	MATERIAL	FINISH
11	03/04/21	REVISED FOR PRODUCTION CABLE	PP	B				±15mm	CHASSIS ASSEMBLY - ELECTRONICS UNIT	NA

QTY	1	DESCRIPTION	CHASSIS ASSEMBLY - ELECTRONICS UNIT
REV	1	DATE	18/04/21

SCALE	±15mm
UNIT	MM
PROJ. CODE	1199-00-015
SHEET NO.	1.72
SHEET TOTAL	1.72 / 1.73

## 12 USING THE ANALOGUE INPUTS WITH THE HS ELECTRONICS UNIT

### Introduction

The supplied HS Electronics Unit allows the user to integrate up to 6 analogue inputs into the HS digital string, together with a PRT input. It is designed for outdoor use please see section 12.3 for mounting details.

### 12.1 Analogue Inputs

The Electronics Unit provides six differential analogue inputs of 14 bit resolution. A specification for these is given in section 6. This feature allows the user to power extra equipment local to the Electronics Unit and to take analogue data from that equipment. The anemometer digitises the analogue data and appends it to the digital data string

A sensor supply voltage is available at each connector. The voltage at this connector is the supply voltage **at the HS Electronics Unit** minus 1.5 volts. The sensor supply voltage is internally regulated to  $21\pm 2$  volts for SIU supply voltages above 22 volts.

For sensors with a common supply and signal ground, this ground should be connected to Sensor Supply -. In this situation Analogue Input - should be connected to Sensor Supply - and Analogue Ground left floating.

The **total** current drawn from the sensor supply by all the external sensors must not exceed 70mA.

Sensor connector pin out:

- |   |                             |
|---|-----------------------------|
| 1 | Sensor power -              |
| 2 | Analogue input 1+ / 3+ / 5+ |
| 3 | Analogue ground             |
| 4 | Analogue input 1- / 3- / 5- |
| 5 | Analogue input 2+ / 4+ / 6+ |
| 6 | Analogue input 2- / 4- / 6- |
| 7 | Sensor power +              |
| 8 | Chassis/screen              |

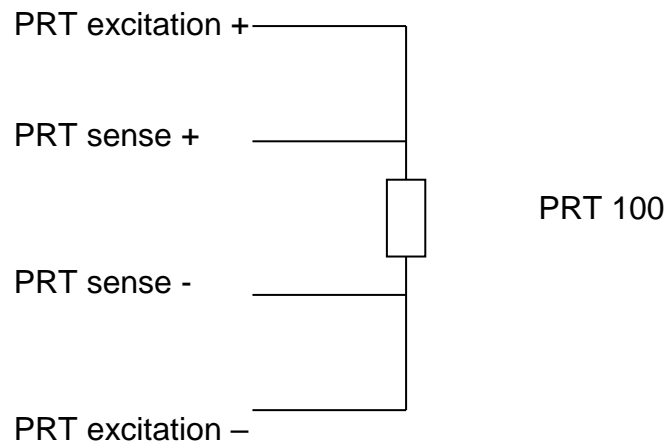
## 12.2 Using the Electronics Unit PRT Input

The Electronics Unit is set up to operate with any 4 wire PRT conforming to IEC 751 or DIN 43760. Compatibility with other standards may be available on request.

PRT connector pin out:

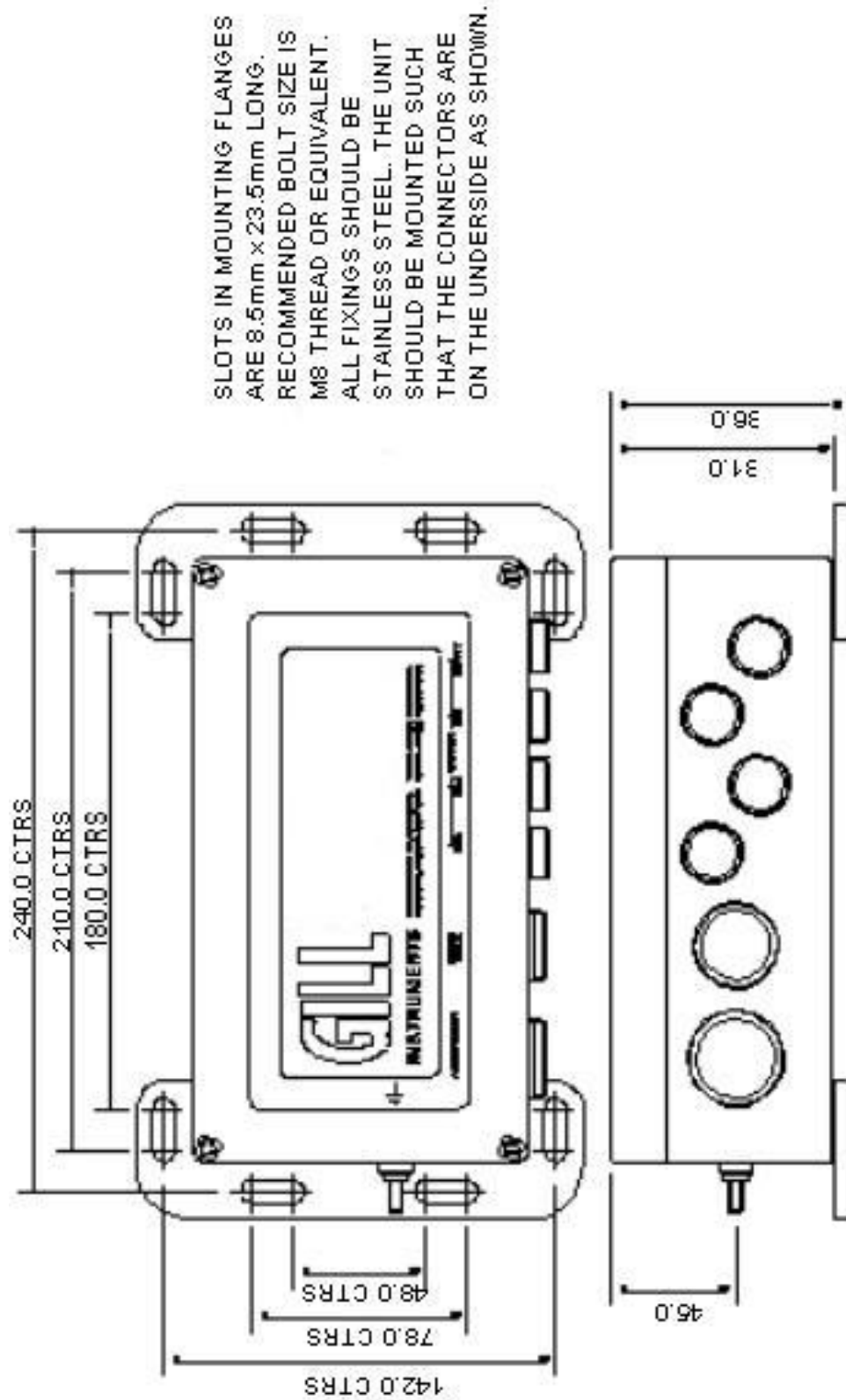
1	Sensor power +
2	Analogue input 6 +
3	Analogue input 6 -
4	Analogue ground
5	PRT excitation +
6	PRT excitation -
7	PRT sense +
8	PRT sense -
9	Sensor power -
10	Chassis/screen

**PRT connection diagram:**



For correct operation the PRT connections must be isolated from the rest of the system.

### 12.3 Electronics Unit Mounting Details



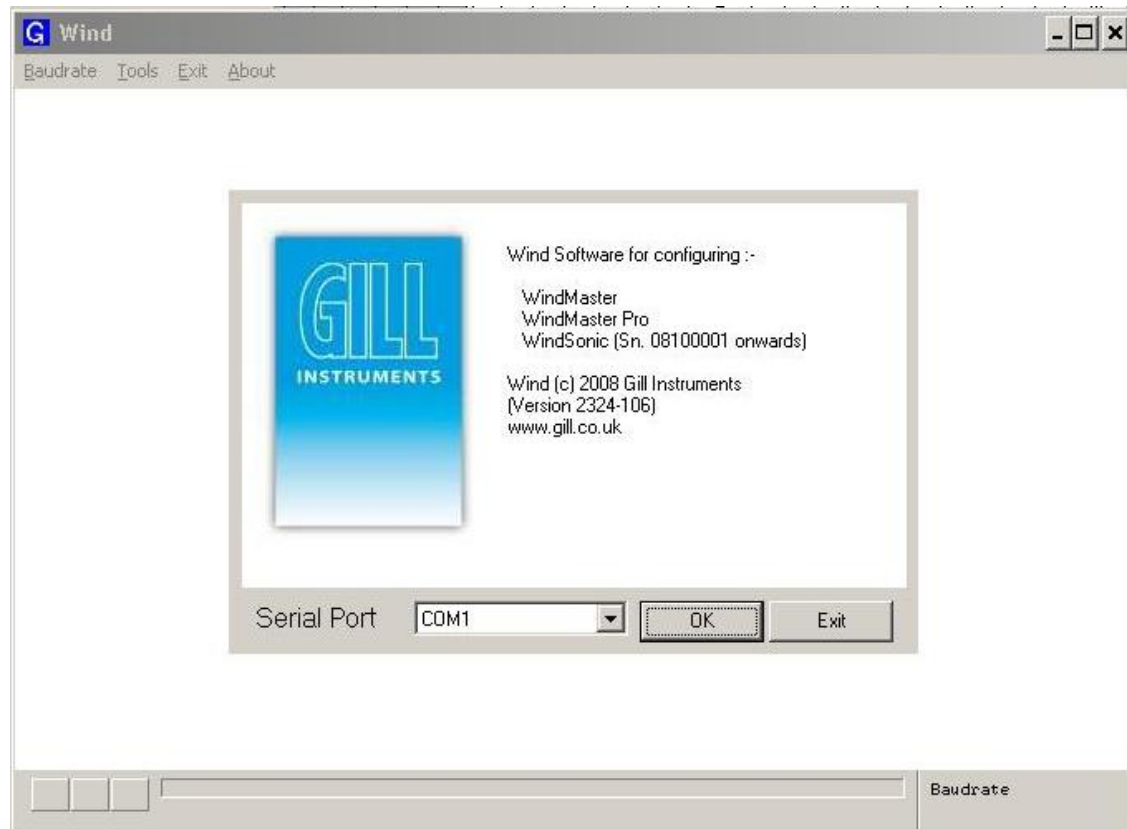
## 13 CONFIGURING THE ANEMOMETER WITH A PC RUNNING GILL WIND SOFTWARE

Wind is a software package from Gill Instruments that is free to download from the Gill Instruments website:

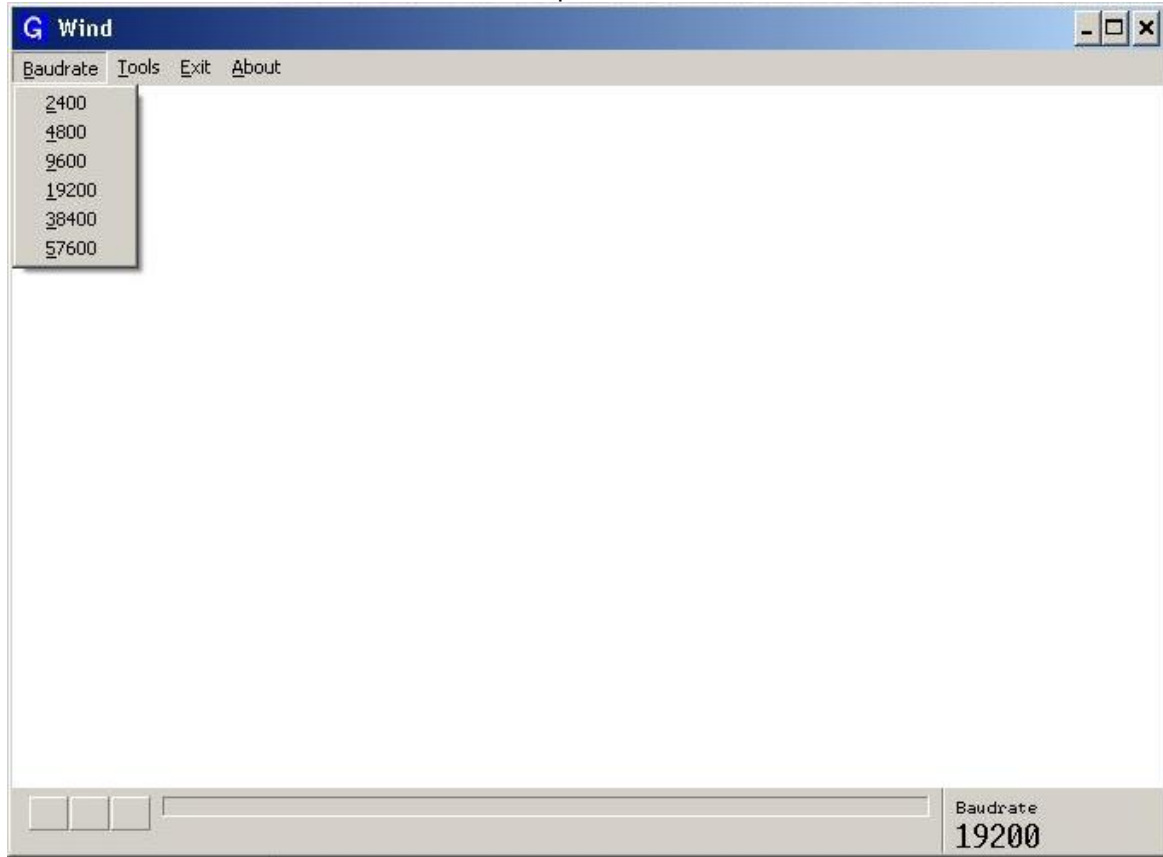
<http://gillinstruments.com/main/software.html>

It is primarily designed for use with the WindSonic and WindMaster range of anemometers but it is possible to use as a terminal package to communicate with the HS. The tool features are not applicable.

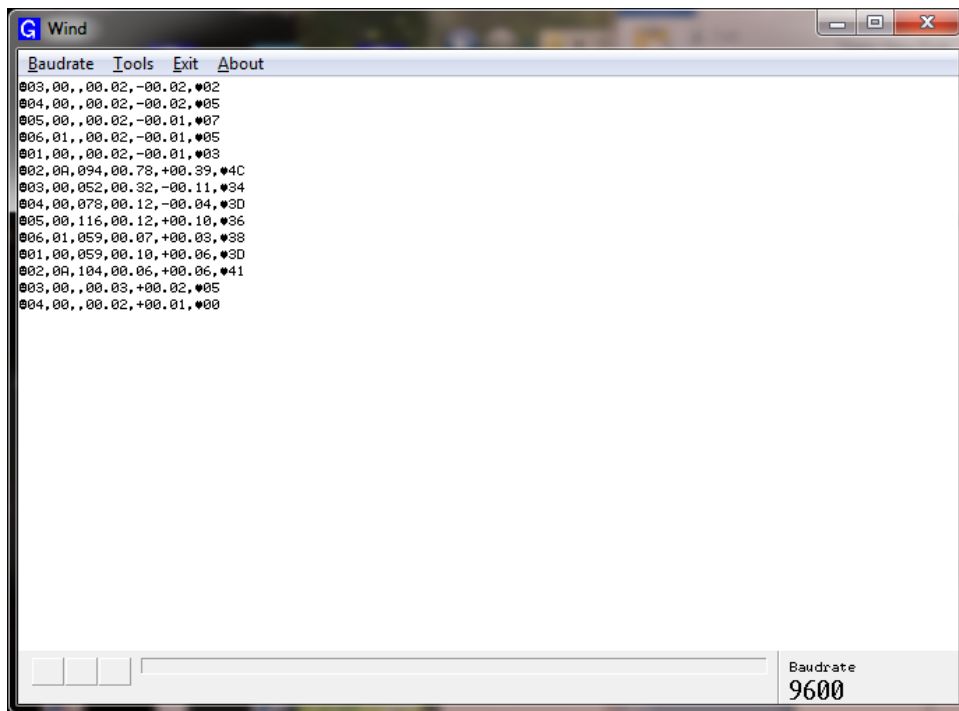
To begin, open the Wind software and select the required serial port



Click on the Baud rate menu and select the required Baud rate to match the HS unit.



Data will start scrolling in the terminal window (assuming that the HS is configured to output in Gill ASCII mode)



To enter configuration mode, type 'IM', then type config and press the enter key to display the current HS configuration

```

Wind
Baudrate Tools Exit About
*S- ""*+| | .P*+ 1+|+|+ 2+<u>+ 4+*0001..W
+ *8
ZRS) CONF IG
RSTREP ON C
ANRIP 000000
ROPSD 30
ASCTERM CRLF
AVERAGE 100
BRID 3000
CTONE DISABLED
HLLGNW/ RLCS
ECHO ON
RSRMODE CONT
SOSREP SPEED
STRFHT BINRV
WINDREP UNW CRL
POLARWSP 300
INST ON
R3?
  
```



## 13.1 Software commands Introduction

### Command Format

All commands are entered as an ASCII string consisting of a mnemonic, representing the operation, and zero or more parameters separated by spaces and terminated by either <CR> or <CR><LF>.

The case of the characters in the command is ignored.

Commands are only valid whilst in the interactive mode, with the exception of the “enter interactive mode” command and polled data request command.

### ASCII Output String Termination

The ASCII output string terminator can be configured to be either <CR> or <CR><LF>. The expression <TERM> is used to indicate either one of these string terminators.

### Character Echo

Character echo can be enabled or disabled. If enabled, received characters are only echoed while in interactive mode.

### The Backspace Character

The anemometer will respond to the <BACKSPACE> character by deleting the previous character from its command buffer, and echo <BACKSPACE><SPACE><BACKSPACE>.

### The Escape Character

The anemometer will respond to the <ESC> character by deleting all characters currently in its command buffer, and echo <TERM><TERM>.

### Command Responses

Command responses are only issued when in interactive mode.

### Configuration Commands

On receipt of a configuration command, the anemometer will respond with a validation message if the command was successfully completed, or an appropriate error message if it was not. If a configuration command is entered with no data parameter, the current data value is returned.

### Interrogation Commands

On receipt of an interrogation command, the anemometer responds with the requested information if the command was successfully actioned, or an appropriate error message if it was not.

### Invalid Combinations of Commands

It is possible through the setting of various parameters to request a configuration where the required output bit rate exceeds the configured baud rate.

If an issued configuration command requests a parameter change that would cause the above situation, an appropriate error message is generated.

## 13.2 Software Commands

	Option, one option from a list separated by the vertical bar must be included in the command.
()	Parenthesis, used to make the possible combinations unambiguous.
[]	Option, the symbols within the square braces are optional.
n{}m	Repeat, the symbols inside the braces can be repeated n to m times. If n is not included then 0 is implied, if m is not present then infinity is implied.
<>	Non-literal symbol, this represents other non-literal and literal symbols. A further definition is required to define this non-literal symbol.

**Note:** Parameters in **bold** are the default settings.

?

Syntax: ? followed by sending CR/LF (pressing the Enter Key).

Description: Request the current results message when in polled mode.

### ABSTEMP

Syntax: ABSTEMP OFF | (ON K | C)

Description: Enables and disables absolute temperature reporting from the PRT sensor.

Parameters: **OFF** PRT temperature reporting turned off.

ON PRT temperature reporting turned on.

K PRT temperature reporting in K.

C PRT temperature reporting in °C.

### ALIGNUVW

Syntax: ALIGNUVW AXIS | SPAR

Description: Selects UVW axis alignment from two alternative definitions.

Parameters: **AXIS** Align the U axis to transducer axis 1 when viewed from above.

SPAR Aligns the U axis with the North spar.

### ANAIP

Syntax: ANAIP <ipno>{,< ipno> }6 ( D | E )

<ipno> = 1 | 2 | 3 | 4 | 5 | 6

Description: Turns on or off the specified analogue inputs.

Parameters: ipno Analogue input channel number.

**D** Disable specified channels.

E Enable specified channels.

*Example:* R3> ANAIP 1,3,5 E

R3> VANAIP

### AOPFSD

Syntax: AOPFSD 10 | 20 | **30** | 60 (*Metres Per Second Only*)

Description: Specifies the analogue outputs full scale deflection. Used to configure the analogue output box only.



**ASCTERM**

Syntax: ASCTERM CR | CRLF  
 Description: Sets ASCII output string terminator.  
 Parameters: CR ASCII output string terminator is <CR>.  
**CRLF ASCII output string terminator is <CR><LF>.**

**AVERAGE**

Syntax: AVERAGE 2.to.250 (HS-50) or 1 to 250 (HS-100)  
 Description: Sets the number of samples used in the block average. Default is 5.  
 Output rate frequency is calculated from 100/Average setting.  
 e.g. Default Average Setting is 5 therefore Output Rate = 100/5 = 20Hz.  
**Note:-**If using all 6 analogue inputs then the Average setting must be 50 or more for a Baud rate of 9600, alternatively user a much higher Baud Rate setting.

**BAUD**

Syntax: BAUD 2400 | 4800 | **9600** | 19200 | 38400 | 57600 | 115200  
 Description: Sets the serial interface baud rate. Selection must be confirmed with a letter B.

*Example of Baud Rate change in a terminal package, assuming HS is in default 9600 Baud:*

*HS> baud 19200 <CR> **\*At this point the Baud Rate of the terminal package must be changed to that of the new setting for the HS, any delay may result in an error message.***

*Confirm> b <CR>*

*VBAUD*

*HS> exit*

**Note:** In general the more parameters required in the output data string and the faster the output rate the higher must be the Baud rate to get a fully reported data string or change a parameter setting.

**CONFIG**

Syntax: CONFIG  
 Description: Reports the anemometer's configuration.

**CTONE**

Syntax: CTONE ON | OFF | DISABLE  
 Description: Enables an audible confidence tone  
 Parameters: **ON Enables the confidence tone**  
 OFF Disables the tone until the anemometer is next powered up.  
 DISABLE Disables the tone until the function is enabled using CTONE ON.

**ECHO**

Syntax: ECHO OFF | ON  
 Description: Turns on or off character echoing.  
 Parameters: OFF Turn off character echoing.  
**ON Turn on character echoing.**

**EXIT**

Syntax: EXIT  
 Description: Exits from interactive mode back to measurement mode.

**HELP**

Syntax: HELP  
 Description: Reports a brief description of all the available commands.  
 Syntax: HELP command  
 Description: Reports a description of the command requested.

**IM**

Syntax: IM  
 Description: Switches from measurement mode to interactive mode.

**INCL**

Syntax: INCL  
 Description: Reports the inclination of the anemometer from the vertical axis.  
 The format is ±XX.XX, ±YY.YY

**INST**

Syntax: INST ON | **OFF**

Description: When set to ON, Instantaneous Mode is enabled and no averaging is performed. When set to OFF, Instantaneous Mode is disabled and averaging is performed. In both cases the output rate is determined by the AVERAGE parameter.

**MSGMODE**

Syntax: MSGMODE CONT | POLL

Description: Sets the message reporting mode.

Parameters: **CONT** Result messages are reported continuously.  
**POLL** Result messages are requested by the user.

**POLARWRAP**

Syntax: POLARWRAP **360** | 540

Description: Specifies the analogue outputs polar reporting wrap angle. Used to configure the analogue output box only.

**SN**

Syntax: SN

Description: Reports the anemometer's serial number.

**SOSREP**

Syntax: SOSREP OFF | SPEED | (SONICTEMP K | C)

Description: Sets the speed of sound reporting format.

Parameters: **OFF** SOS reporting is turned off.  
**SPEED** SOS is reported as speed.  
**SONICTEMP** **SOS is reported as sonic temperature.**  
**K** Sonic temperature reporting in K.  
**C** Sonic temperature reporting in °C.

Example: *HS> SOSREP SONICTEMP C <CR>*  
*VSOSREP*

**STRFMT**

Syntax: STRFMT BINARY | ASCII ( PAD | UNPAD)

Description: Sets the result message string format.

Parameters: **BINARY** Binary result message format.  
**ASCII** **ASCII result message format.**  
**PAD** ASCII fields padded to fixed size(padded with 9's if a measurement is not possible).  
**UNPAD** ASCII fields unpadded (,, shown if a measurement is not possible).

**VER**

Syntax: VER

Description: Reports the anemometer's software version.

**VERIFY**

Syntax: VERIFY E/D

Description: Enables or disables messages to verify that commands have been carried out. The verification message is the command name prefixed by "V". e.g. "VAVERAGE" for and "AVERAGE" command.

Parameters: E enables verification messages.  
D disables verification messages.

**WINDREP**

Syntax: WINDREP ( **UVW** | POLAR ) ( **CAL** | UNCAL ) | AXIS

Description: Sets the wind measurement reporting format.

Parameters: **UVW** **Reports wind velocity in UVW format.**  
**POLAR** Reports wind velocity in polar + W format.  
**AXIS** Reports wind as axis velocities.  
**CAL** **Wind results are calibrated.**  
**UNCAL** Wind results are uncalibrated.

## 14 USING THE ANEMOMETER DIGITAL OUTPUTS

### 14.1 Digital Serial Output Format

Data is sent in either binary or ASCII format as follows:

#### 14.1.1 Binary Result Message Format (post conversion)

01	10	176	00.1	00.0	350.4	+99.99	-0.0001	-0.0001	-0.0001	-0.0001	-0.0001	-0.0001	2B
StaA	StaD	Wc1	Wc2	Wc3	C	Abs T	An1	An2	An3	An4	An5	An6	cc

where:

0xBA 0xBA	-	Start of result message identifier. 2 bytes, hex value BA.
StaA	-	Status Address
StaD	-	Status Data
Wc <sub>1</sub>	-	Wind component 1
Wc <sub>2</sub>	-	Wind component 2
Wc <sub>3</sub>	-	Wind component 3
C	-	Speed of Sound or Sonic Temperature
T	-	Absolute temperature
A <sub>n</sub>	-	Analogue input 1
cc	-	checksum of all bytes. The checksum is an exclusive OR of all bytes excluding the 2 start bytes.

**These fields are defined as follows:**

#### Wind Component Fields

UVW format	Wc <sub>1</sub>	U axis velocity in 0.01ms <sup>-1</sup> units (Two's complement signed)
	Wc <sub>2</sub>	V axis velocity in 0.01ms <sup>-1</sup> units (Two's complement signed)
	Wc <sub>3</sub>	W axis velocity in 0.01ms <sup>-1</sup> units (Two's complement signed)
Polar format	Wc <sub>1</sub>	U V plane velocity direction in ° relative to N.
	Wc <sub>2</sub>	U V plane velocity magnitude in 0.01ms <sup>-1</sup> units.
	Wc <sub>3</sub>	W axis velocity in 0.01ms <sup>-1</sup> units (Two's complement signed)
Axis Speeds	Wc <sub>1</sub>	Ultrasonic axis 1 velocity in 0.01ms <sup>-1</sup> units (Two's complement signed)
	Wc <sub>2</sub>	Ultrasonic axis 2 velocity in 0.01ms <sup>-1</sup> units (Two's complement signed)
	Wc <sub>3</sub>	Ultrasonic axis 3 velocity in 0.01ms <sup>-1</sup> units (Two's complement signed)

#### Speed of Sound Field

Speed Of Sound	Speed of sound in 0.01ms <sup>-1</sup> units (Unsigned)
Sonic Temperature	Sonic temperature in 0.01K (Unsigned) or 0.01°C (Two's complement signed)

#### Absolute Temperature Field

Absolute Temperature in 0.01K (Unsigned) or 0.01°C (Two's complement signed)

#### Analogue Input Fields

Analogue input value in twos complement:

0000	0.0000V
1FFF	+4.9994V
E000	-5.0000V

#### Checksum Field

Exclusive OR of all bytes excluding the two start bytes.

### 14.1.2 ASCII Result Message Format

2	1	10	176	0.06	0.03	350.4	99.99	0.0001	0.0001	0.0001	0.0001	0.0001	0.0001	3	2B	CR
stx	StaA	StaD	Wc1	Wc2	Wc3	C	Abs T	An1	An2	An3	An4	An5	An6	etx	cc	term

where:

<STX>	-	Start of string character (ASCII value 2)
StaA	-	Status Address
StaD	-	Status Data
Wc <sub>1</sub>	-	Wind component 1
Wc <sub>2</sub>	-	Wind component 2
Wc <sub>3</sub>	-	Wind component 3
C	-	Speed of sound/sonic temperature
T	-	Absolute temperature
A <sub>1</sub>	-	Analogue input 1
A <sub>n</sub>	-	Analogue input n.
<ETX>	-	End of string character (ASCII value 3)
cc	-	checksum of all characters between <STX> and <ETX>
<TERM>	-	<CR> or <CR><LF>, user selectable

**These fields are defined as follows:**

#### Wind Component Fields

UVW format	Wc <sub>1</sub>	U axis velocity in 0.01ms <sup>-1</sup> units (±UU.UU)
	Wc <sub>2</sub>	V axis velocity in 0.01ms <sup>-1</sup> units (±VV.VV)
	Wc <sub>3</sub>	W axis velocity in 0.01ms <sup>-1</sup> units (±WW.WW)
Polar format	Wc <sub>1</sub>	U V plane velocity direction in ° relative to N (DDD)
	Wc <sub>2</sub>	U V plane velocity magnitude in 0.01ms <sup>-1</sup> units (MM.MM)
	Wc <sub>3</sub>	W axis velocity in 0.01ms <sup>-1</sup> units.(±WW.WW)
Axis Speeds	Wc <sub>1</sub>	Ultrasonic axis 1 velocity in 0.01ms <sup>-1</sup> units (±A <sub>1</sub> A <sub>1</sub> .A <sub>1</sub> A <sub>1</sub> )
	Wc <sub>2</sub>	Ultrasonic axis 2 velocity in 0.01ms <sup>-1</sup> units (±A <sub>2</sub> A <sub>2</sub> .A <sub>2</sub> A <sub>2</sub> )
	Wc <sub>3</sub>	Ultrasonic axis 3 velocity in 0.01ms <sup>-1</sup> units (±A <sub>3</sub> A <sub>3</sub> .A <sub>3</sub> A <sub>3</sub> )

#### Speed of Sound Field

Speed Of Sound	Speed of sound in 0.01ms <sup>-1</sup> units (CCC.CC)
Sonic Temperature	Sonic temperature in 0.01K (KKK.KK) or 0.01°C (±CC.CC)

#### Absolute Temperature Field

Absolute Temperature in 0.01K or 0.01°C (TTT.TT)  
or 0.01°C (±CC.CC)

#### Analogue Input Fields

Analogue input value in volts (±v.vvvv)

#### Checksum Field

Exclusive OR of all characters between <STX> and <ETX> reported as ASCII hex.

## 14.2 Status Fields

There are a number of different status codes, which give the user information about various aspects of the anemometer. Each of these codes has an address field followed by a data field. The address field defines which particular aspect of the anemometer the following data field refers to. The address fields are defined as follows:

### StaA - Status Address

Address	Function
00	Error codes
01	Anemometer configuration
02	Data output configuration 1
03	Data output configuration 2
04	Error code history
05	Transducer gain levels
06	Anemometer Type
07	Inclinometer X axis MSB
08	Inclinometer X axis LSB
09	Inclinometer Y axis MSB
10	Inclinometer Y axis LSB

In normal operation the anemometer output cycles through the status codes 01 - 10 at each output sample. If the anemometer detects an error then the status code 00 is displayed instead of the next cyclic status code. When the error is cleared, the status codes will continue to cycle from where they were interrupted.

If the error is caused by a transducer pair failure then the error code is displayed until the failure is rectified.

If the error is caused by a memory or PRT failure, then after 16 consecutive failed readings, the error condition is reduced to the error code history status and the error cleared.

The status data is output by the anemometer as a hex value, it needs to be converted to a binary number in order to determine the information provided. For example; a value of **h32** for status address **02** would mean that the anemometer is configured to output in polar 360 wrap, with a full scale deflection of  $\pm 10$ ms and with the SOS reporting sonic temperature in °C.

*Example of Reported Transducer Fault on Axis 1:*

*00,01,,, -20.00,,00*

*Example of Reported Transducer Fault on all 3 Axes:*

*00,07,,, -20.00,,06*

**StaD - Status Data****Address 00 - Error codes**

Bit	Function
0	Transducer pair 1 failed.
1	Transducer pair 2 failed
2	Transducer pair 3 failed
3	Reserved
4	Non-volatile memory error
5	PRT failed
6	Reserved
7	Reserved

**Address 01 - Anemometer configuration**

Bit	Function
0	Reserved
1	PRT fitted
2	Reserved
3	Reserved
4	0 U, V, W Axis definition (U aligned with transducer axis 1 when viewed from above)
	1 U', V', W' Axis definition (U' aligned with the spar)
5	Reserved
6	Reserved
7	Reserved

**Address 02 - Data output configuration 1**

Bits 1,0

00	Wind mode UVW
01	Wind mode axis
10	Polar 360 wrap
11	Polar 540 wrap

Bits 3,2

00	$\pm 10\text{ms}^{-1}$ Full Scale Deflection
01	$\pm 20\text{ms}^{-1}$ Full Scale Deflection
10	$\pm 30\text{ms}^{-1}$ Full Scale Deflection
11	$\pm 60\text{ms}^{-1}$ Full Scale Deflection

Bits 5,4

00	SOS report off
01	SOS report speed of sound
10	SOS report sonic temp. K
11	SOS report sonic temp. C

Bits 7,6

00	PRT temp. off
01	PRT temp. K
10	PRT temp. C
11	Reserved

Address 02 is repeated for 8 samples after a power on reset or exit from 'Interactive Mode' to allow the analogue output card or custom PC software to recognise the output configuration.

**Address 03 - Data output configuration 2**

Bits 2,1,0

000	No inputs enabled
001	1 input enabled
010	2 inputs enabled
011	3 inputs enabled
100	4 inputs enabled
101	5 inputs enabled
110	6 inputs enabled
111	Not used

Bit 3

0	Reserved
1	Reserved

## Bits 5,4

00 Reserved  
01 Reserved  
10 Reserved  
11 Reserved

## Bits 7,6

00 Reserved  
01 Reserved  
10 Reserved  
11 Reserved

**Address 04 - Error code history**

Bit	Function
0	Reserved
1	Reserved
2	Reserved
3	Reserved
4	Non-volatile memory error
5	PRT failed
6	Reserved
7	Reserved

The error history is cleared when the user enters interactive mode.

**Address 05 - Transducer gain levels**

## Bits 1,0

00 Channel pair 1 nominal  
01 Channel pair 1 @ 50%  
10 Channel pair 1 @ 90%  
11 Channel pair 1 @ 100%

## Bits 3,2

00 Channel pair 2 nominal  
01 Channel pair 2 @ 50%  
10 Channel pair 2 @ 90%  
11 Channel pair 2 @ 100%

## Bits 5,4

00 Channel pair 3 nominal  
01 Channel pair 3 @ 50%  
10 Channel pair 3 @ 90%  
11 Channel pair 3 @ 100%

## Bits 7,6

Reserved

**Address 06 - Anemometer type**

## Bits 2,1,0

000 Single axis  
001 Omnidirectional or Asymmetric  
010 Three Axis Horizontal  
011 Reserved  
100 Reserved  
101 Reserved  
110 Reserved  
111 Reserved

Bits 7,6,5,4,3 Not used.

### 14.2.1 Inclinometer Readings

The following data string information is taken from an Anemometer, the Inclinometer data readings are in bold.

```

Sa Sb U'   V'   W'   ST(C)
04,20,+06.16,+02.25,-01.78,+025.82
05,00,+06.19,+02.03,-01.86,+025.79
06,01,+06.17,+01.79,-01.88,+025.82
07,03,+06.23,+01.59,-01.78,+025.85
08,01,+06.22,+01.55,-01.88,+025.86
09,02,+06.26,+01.52,-01.77,+025.84
10,00,+06.27,+01.53,-01.76,+025.83

```

Each column represents the following information.:

**Sa: Status Address** in the range of 00-10

Where for Inclinometer readings  
 07: inclinometer x axis MSB,  
 08: inclinometer x axis LSB,  
 09: inclinometer y axis MSB,  
 10: inclinometer y axis LSB.

The above data are output as 16 bit twos complement numbers. In ASCII output format two hex characters are output for each status address.

#### **Sb: Status Data**

For the conditions when Sa=07-10,  
 Then Sb gives Inclinometer data as 16 bit twos' complement numbers expressed with two hex characters.

All these hex values should first be translated into decimal values.

Then they can be converted into a physical unit of degrees by multiplying 0.01.

e.g. X axis reads 0301 when converted reads +7.69 degrees.  
 Y axis reads 0200 when converted reads +5.12 degrees.

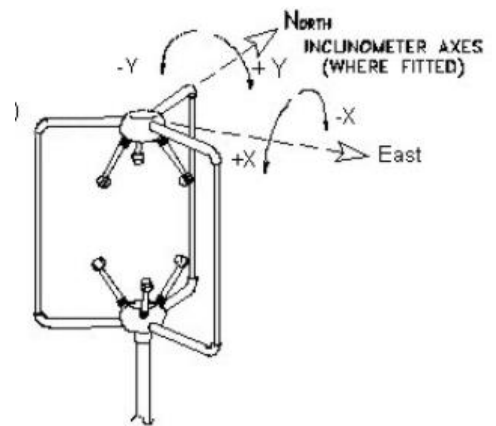
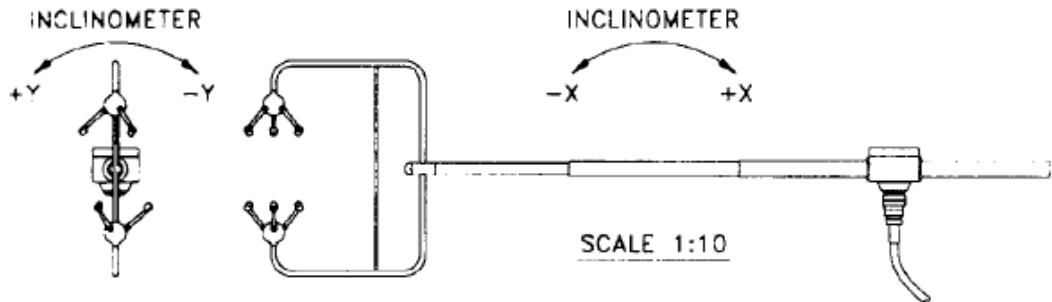
However if the left most bit of the Hex value in Binary is set then the number is likely to be negative so apply 2's complement, convert to decimal and multiply the result by 0.01.

E.g. if the Hex reading is F188  
       Then F188 Xor FFFF = 0E77  
           0E77 + 1 = 0E78  
       Convert 0E78 to decimal = 3704  
       Multiply by 0.01 = -37.04 degrees (not forgetting -ve sign)



Positive and negative x values are the tilt angles of Research Unit as illustrated in the diagrams below.

Similarly, the positive and negative y values are as illustrated below.



**U'**: U axis velocity in 0.01 m/s unit.

**V'**: V axis velocity in 0.01 m/s unit

**W'**: W axis velocity in 0.01 m/s unit.

**ST(C)**: Sonic temperature in 0.01 degree C unit

Inclinometer data in degrees can be obtained by placing the unit into Interactive Mode (IM) and typing INCL, the unit will report the inclination of the Anemometer.

The Format is  $\pm XX.XX, \pm YY.YY$ .

If an inclinometer is not fitted or faulty the above addresses are not output.

## 15 USING ANALOGUE OUTPUTS WITH PCIA BOX (1189-PK-020).

### 15.1 Introduction

Analogue outputs can be provided by using the optional PCIA. The analogue output card decodes the serial message from the anemometer and generates the appropriate analogue outputs. Seven analogue outputs are provided of 14 bit resolution. The pin assignment for these is given in Section 10.1.4.

### 15.2 Analogue outputs

#### Channels 1,2 and 3 - Wind velocity

These channels represent the wind velocity. The variables represented by each channel depend on the anemometer's operating mode, and are defined in the following table:

Mode	Output Channel		
	1	2	3
UVW	U	V	W
Polar format	Dir.	Mag.	W
Axis velocities	Axis 1	Axis 2	Axis 3

For U, V and W magnitude, and axis velocities,  $\pm 2.5V$  represents  $\pm 10$ ,  $\pm 20$ ,  $\pm 30$  or  $\pm 60m/s$  as selected when configuring the anemometer. For direction in polar format the  $\pm 2.5V$  output range represents either  $360^\circ$  or  $540^\circ$ . This option is also set up when configuring the anemometer.

The direction representation is:

	Output voltage (V)				
	-2.5	0.833	0	+0.833	+2.5
360°	-180°		0°		+180°
540°	0°	180°		360°	+540°

The  $540^\circ$  mode avoids the output oscillating between  $-2.5V$  and  $+2.5V$  in response to a direction varying around  $180^\circ$ .

#### Channel 4 - Speed of Sound or Sonic Temperature

The variable represented by this analogue output also depends on the configuration of the anemometer's speed of sound or sonic temperature. The representations for each available mode are:

	Output voltage (V)			
	-2.5	-1.667	0	+2.5
Speed of Sound	300	311.67	335	370
Sonic temperature (Kelvin)		233.15	273.15	333.15
Sonic temperature (Celsius)		-40	0	+60

#### Channel 5 - Absolute Temperature

The voltage output at a given temperature is independent of the anemometer's temperature output configuration. The following table shows the mapping between voltage and temperature:

	Output voltage (V)		
	-1.667	0	+2.5
Celsius	-40	0	+60
Kelvin	233.15	273.15	333.15

#### Channel 6 - Reserved for future expansion

This analogue output is not currently used.

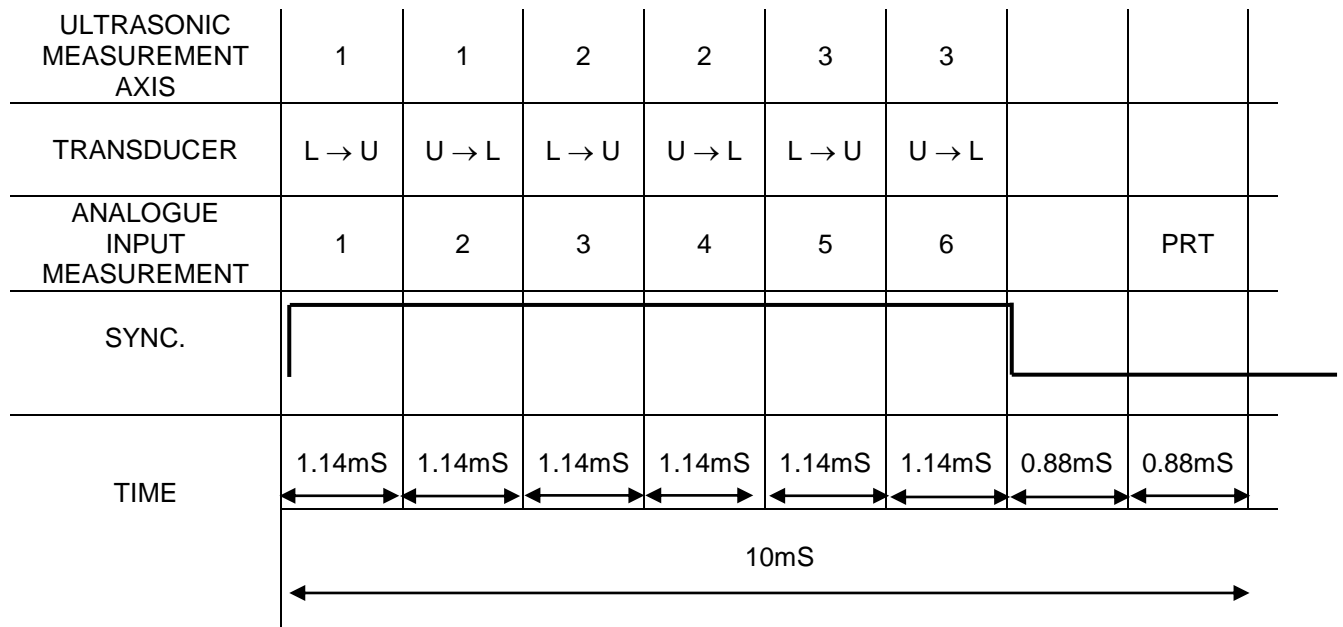
#### Channel 7 and 8 - Analogue Inputs/Outputs

Channels 7 and 8 echo the voltage on the lowest two analogue inputs that are enabled i.e. the first two in the serial data message from the anemometer. The analogue inputs at the anemometer are in the range  $\pm 5V$ . The analogue outputs have a range of  $\pm 2.5V$ . The voltage output is half the analogue input value. For example an analogue input of  $+5V$  is echoed at  $+2.5V$ .

### 15.3 Analogue Sync. Output

A logic 1 on the Sync/Auxiliary output (pins 6 & 7 of the 9-way D type connector on the PCI/A) indicates that the analogue outputs have settled. A logic 0 is generated during the period when the analogue outputs are being updated (approximately 2ms duration). For full specifications please see section 10.1.4.

#### 1210-K-068 Measurement Sequence



NOTES:

1. L → U indicates lower to upper transducer firing  
U → L indicates upper to lower transducer firing
2. Serial output of the previous measurement commences as SYNC goes high

### 15.4 Analogue Status Output

A logic 1 on the status output (pin 24 wrt signal ground of the 25-way D type connector on the PCIA) indicates that the analogue outputs are valid (i.e. the full set of configuration data have been received from the anemometer and there are no data errors for the current output data). The pin assignment and electrical specification of the status output are contained in Section 10.1.4.

### 15.5 Test Modes

The analogue output system includes two self-test modes. They are activated by the pulling low the relevant pin on the 25-way D type connector, and remain active until the pin is pulled high or allowed to go open circuit. The pin assignment and electrical specification are contained in section 10.1.4. Pulling Test Pin 1 low causes all eight analogue outputs to simultaneously cycle through the following sequence of voltages:

-2.50v, -1.25v, 0.00v, 1.25v, 2.50v

The outputs remain at each voltage for four seconds so that the sequence repeats every twenty seconds.

Pulling Test Pin 2 low causes the same sequence of voltages to be output on each channel in turn, while the unused channels are held at 0.00v, i.e. the sequence is first output on channel 1, then channel 2, then 3 etc. For this test the complete sequence lasts 160 seconds.

## 16 VIEWING & LOGGING THE DATA USING GILL WINDVIEW SOFTWARE

WindView is a software package from Gill Instruments that is free to download from the Gill Instruments website:

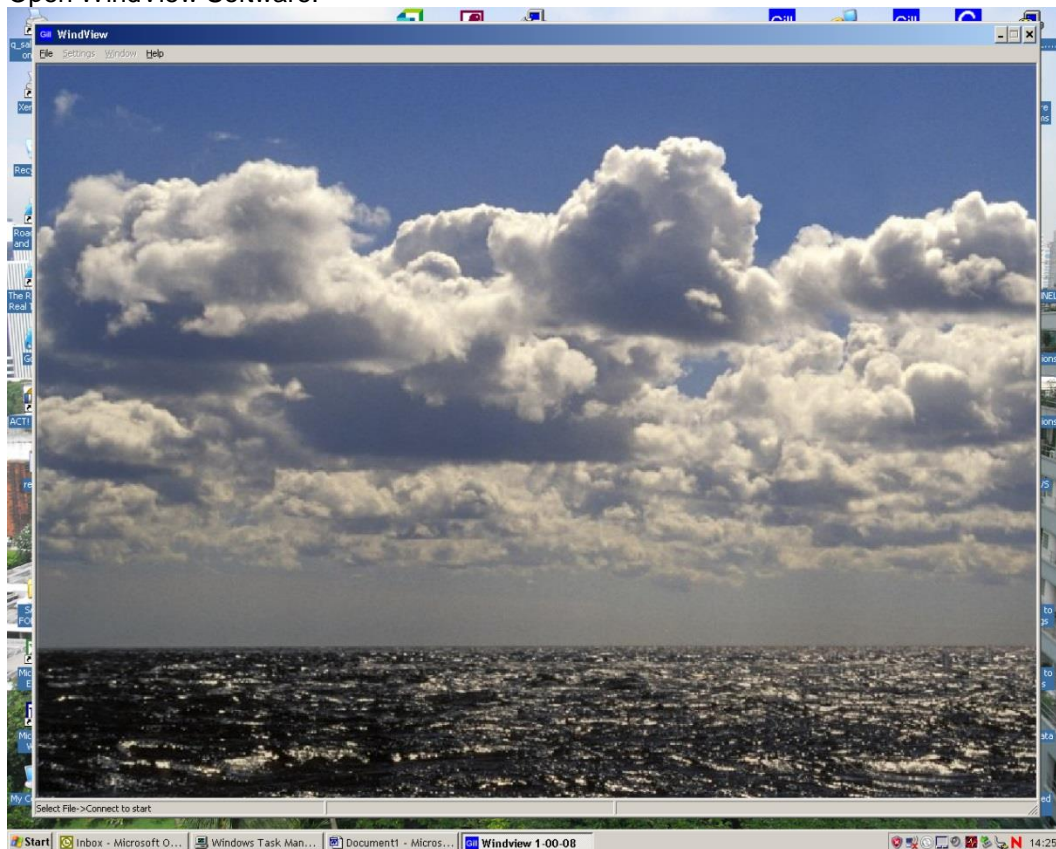
<http://gillinstruments.com/main/software.html>

It is designed to allow the user to view and log data from a single or multiple anemometers.

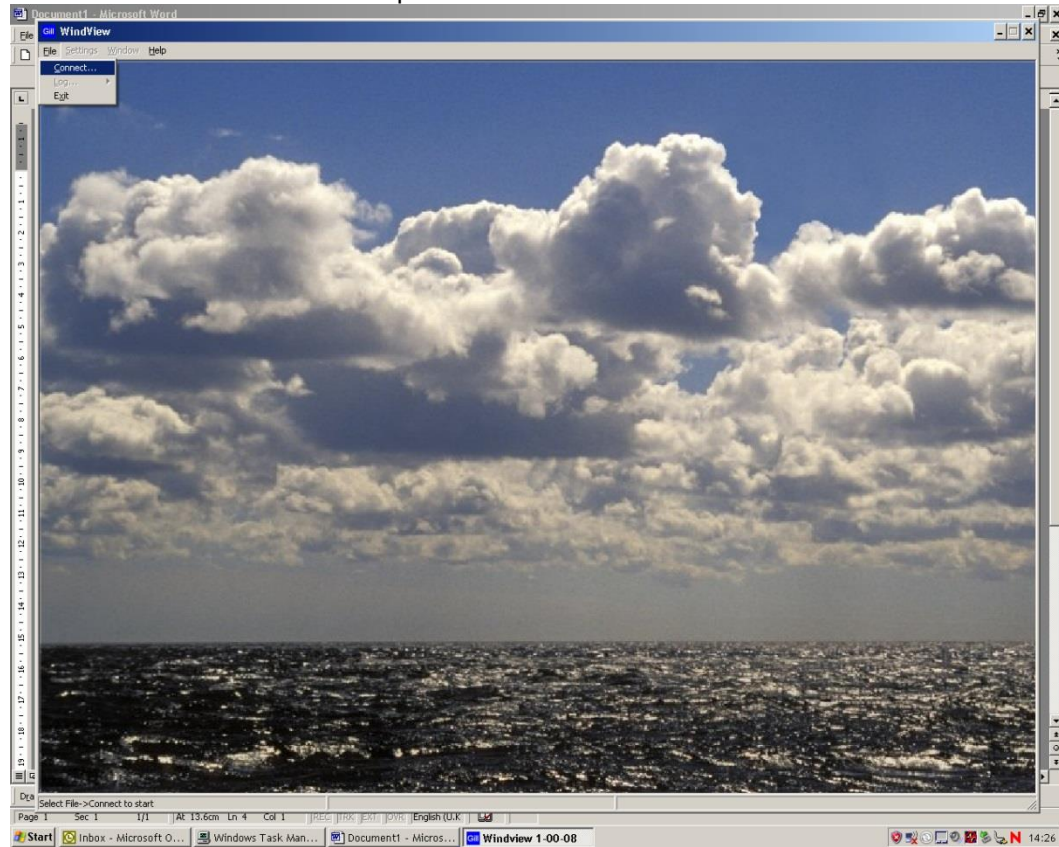
Please note that WindView does not allow 2-way communication with the connected anemometer, so any configuration of the HS must take place prior to connection to WindView.

To begin, open the WindView software package and select the required serial port

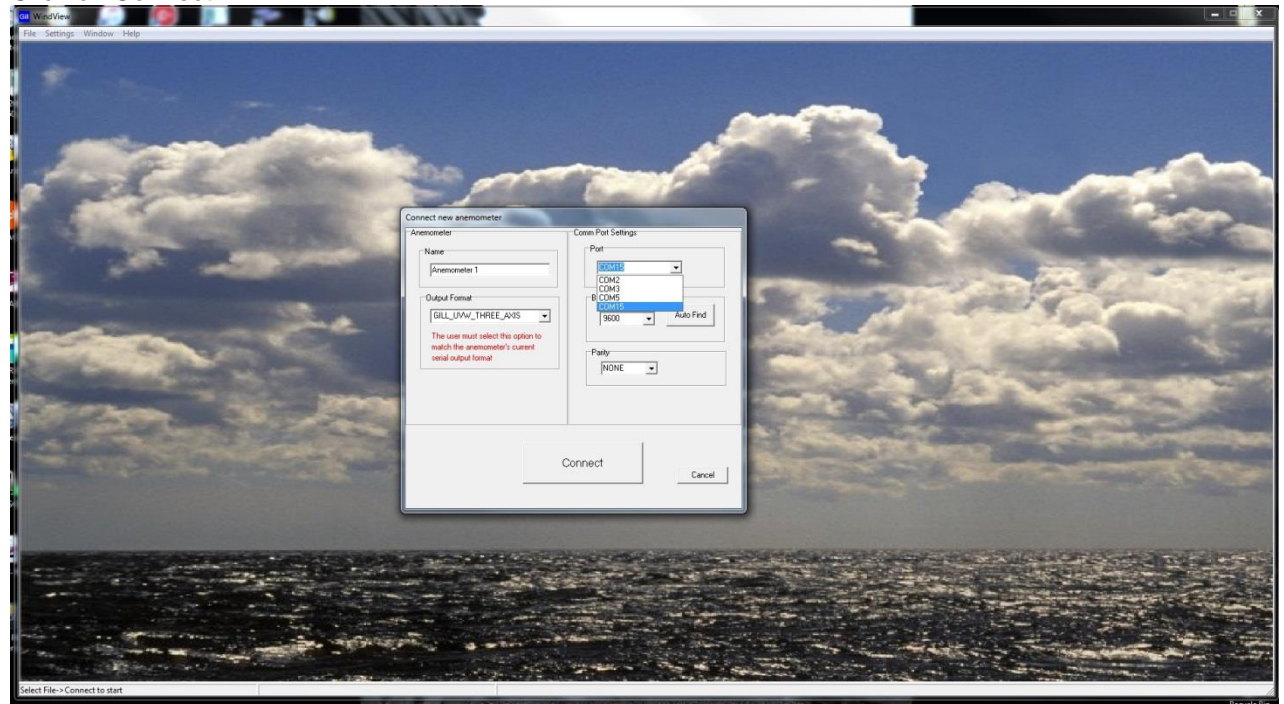
Open WindView Software.



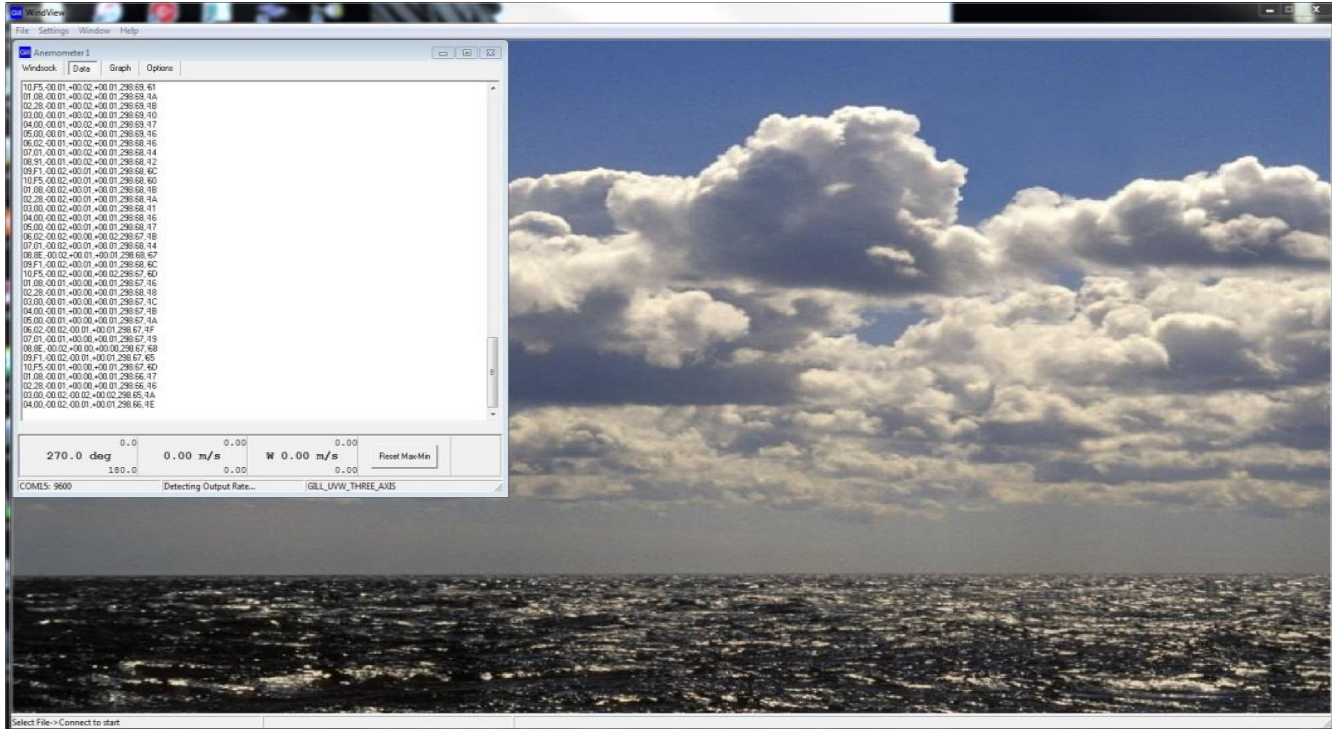
Select Connect from the File Drop down menu.



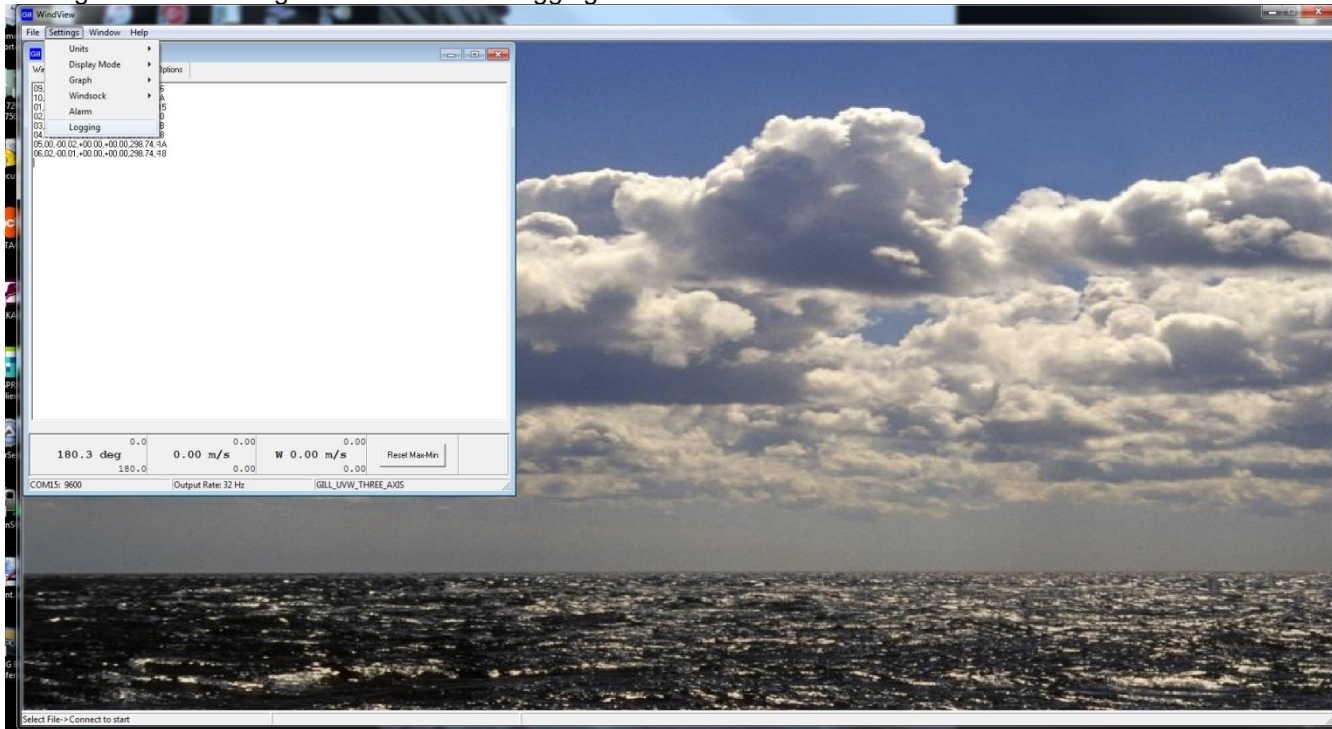
The Output Format field should match the sensor ie Gill Polar, 3 axis UV or NMEA.  
Select the required COM Port from the menu.  
Select the required baud rate to match the sensor eg 9600 baud.  
Leave Parity set for None.  
Click on Connect.



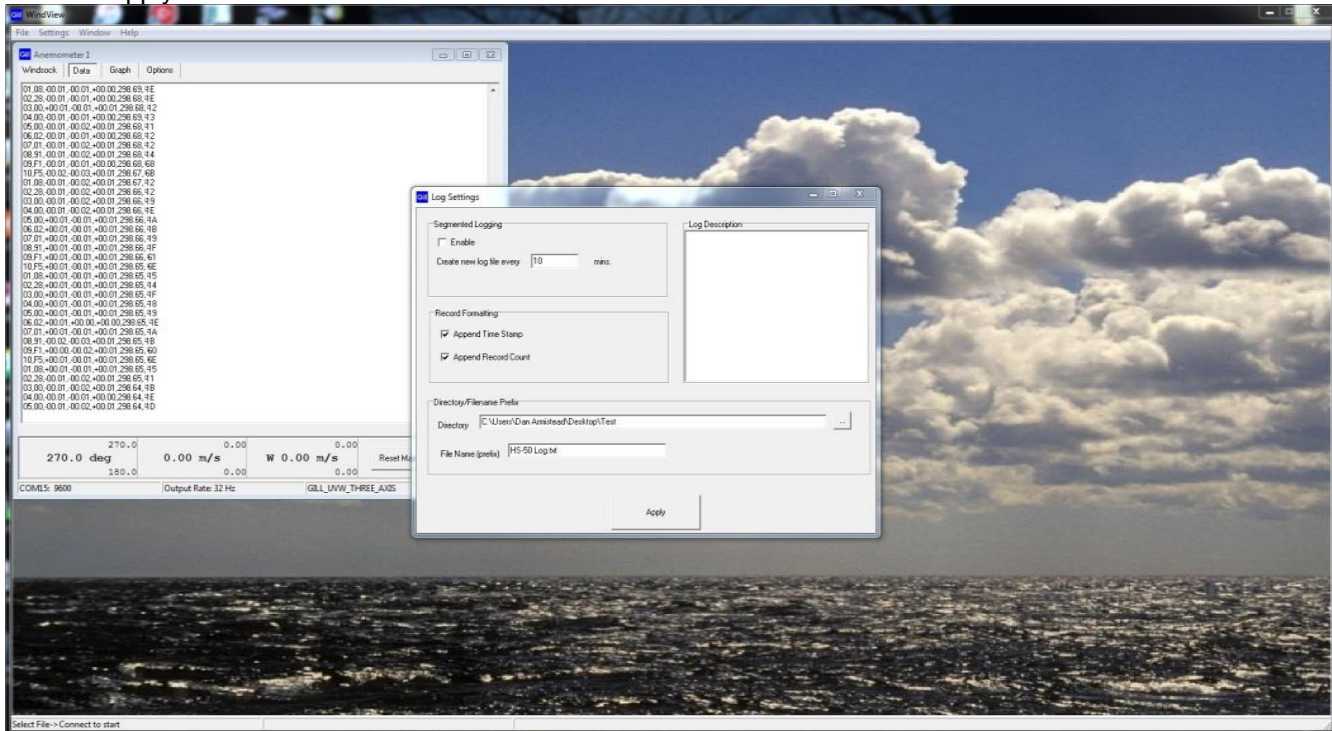
Data should scroll on screen.



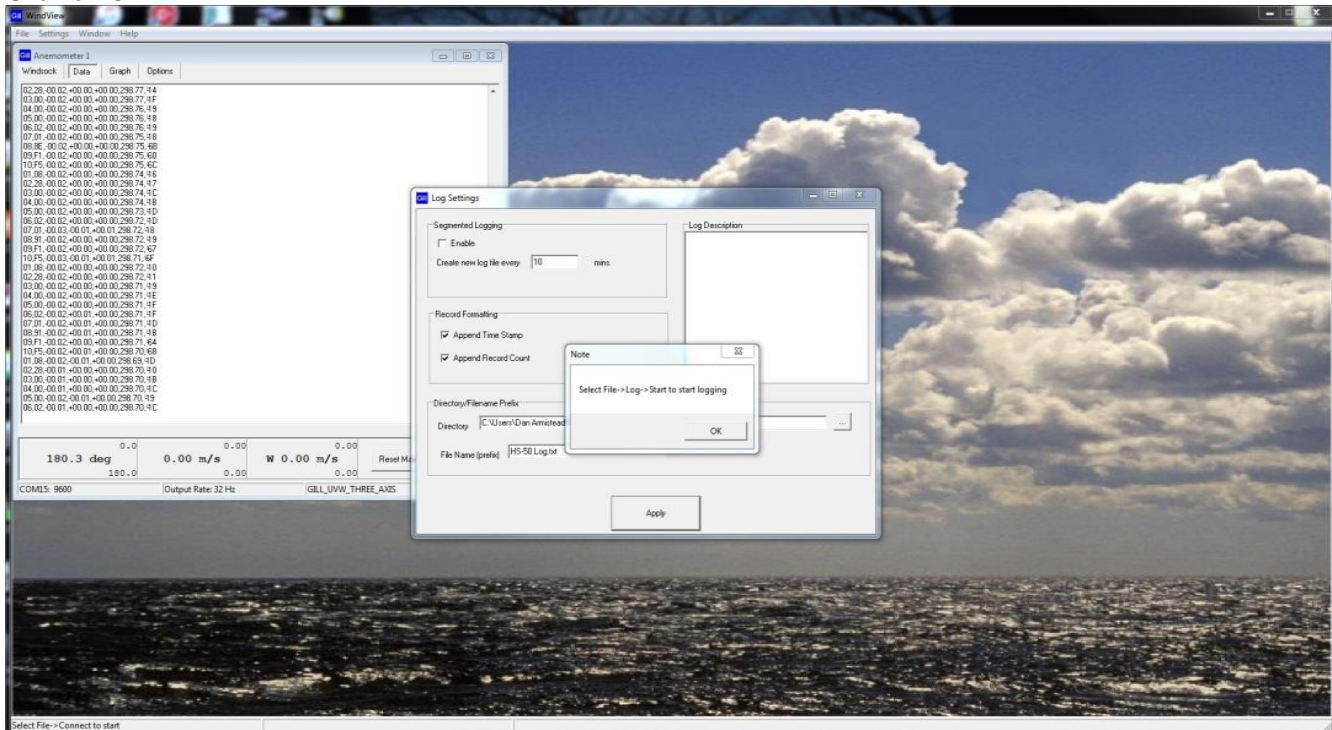
To Log data use Settings menu and select logging.



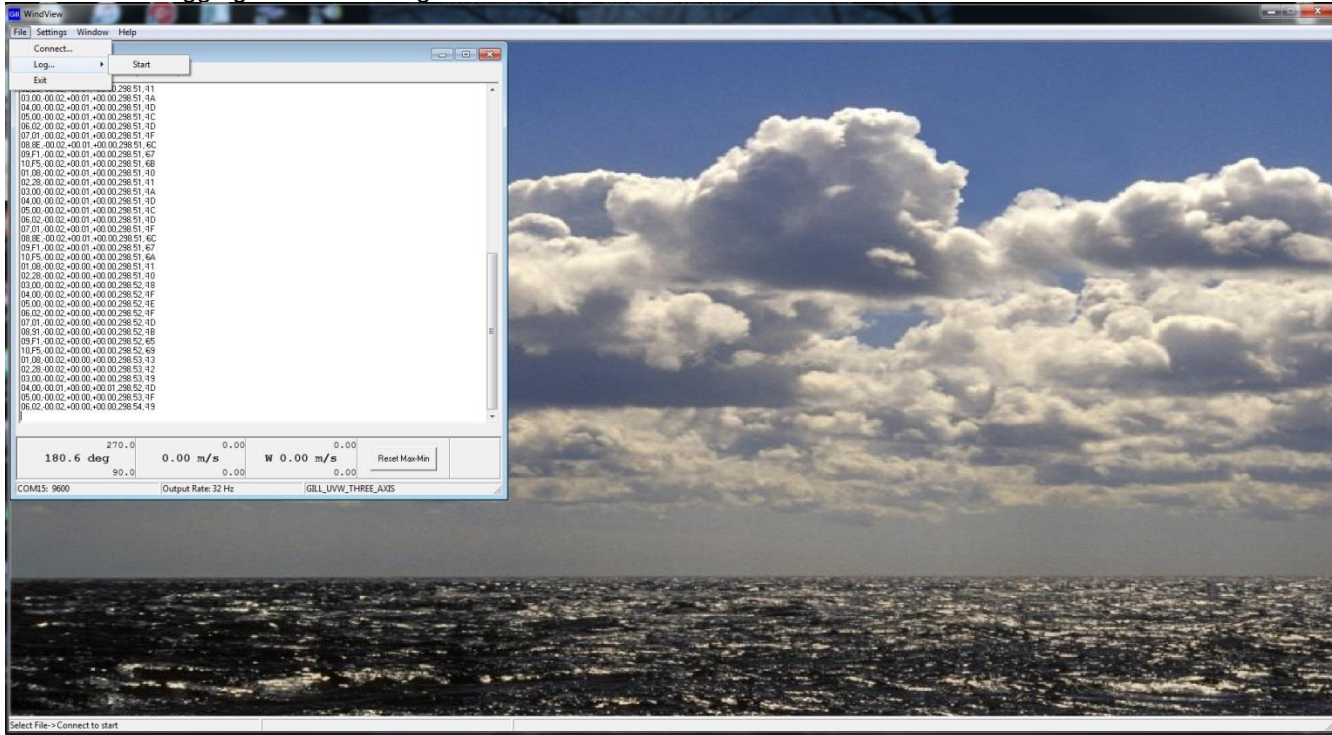
Select type of log, in this case continuous with boxes ticked for append time stamp and append record count if required.  
Select a file directory and file name.  
Click on Apply.



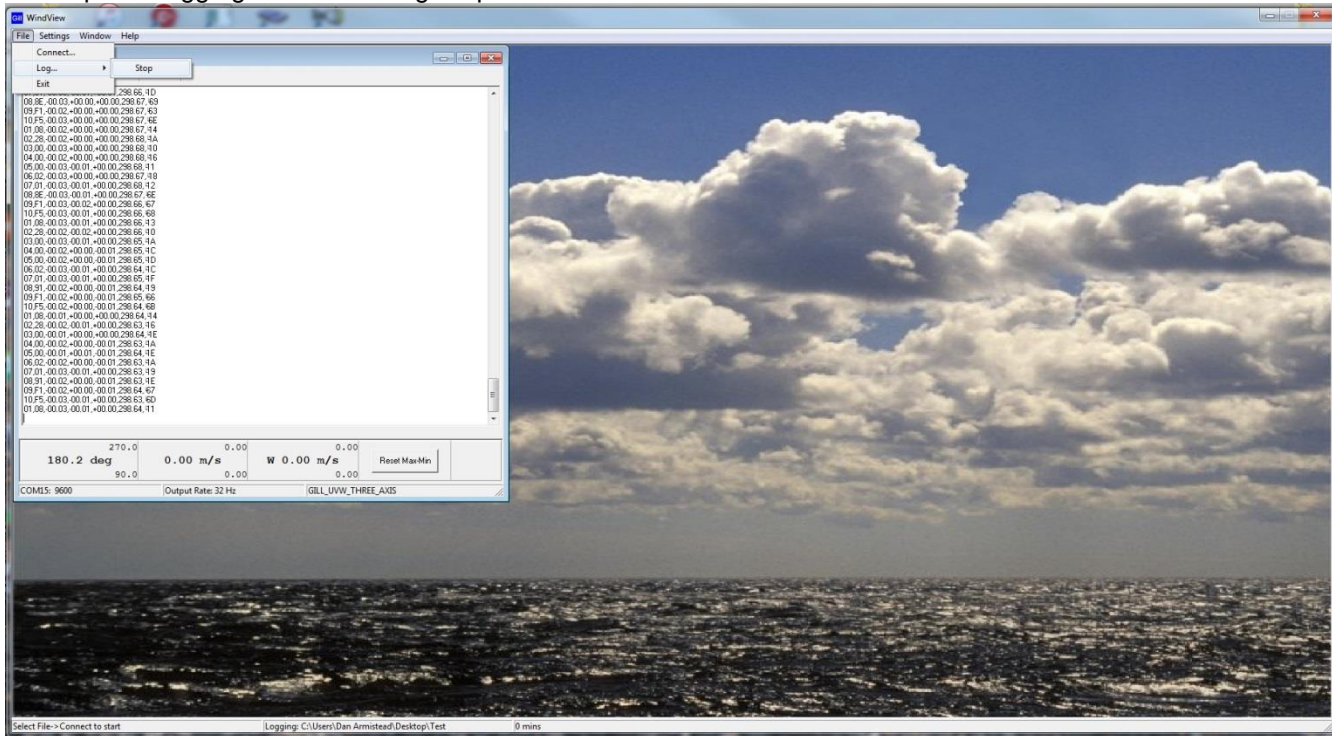
Click on OK.



To Start the Logging Select File/Log/Start.

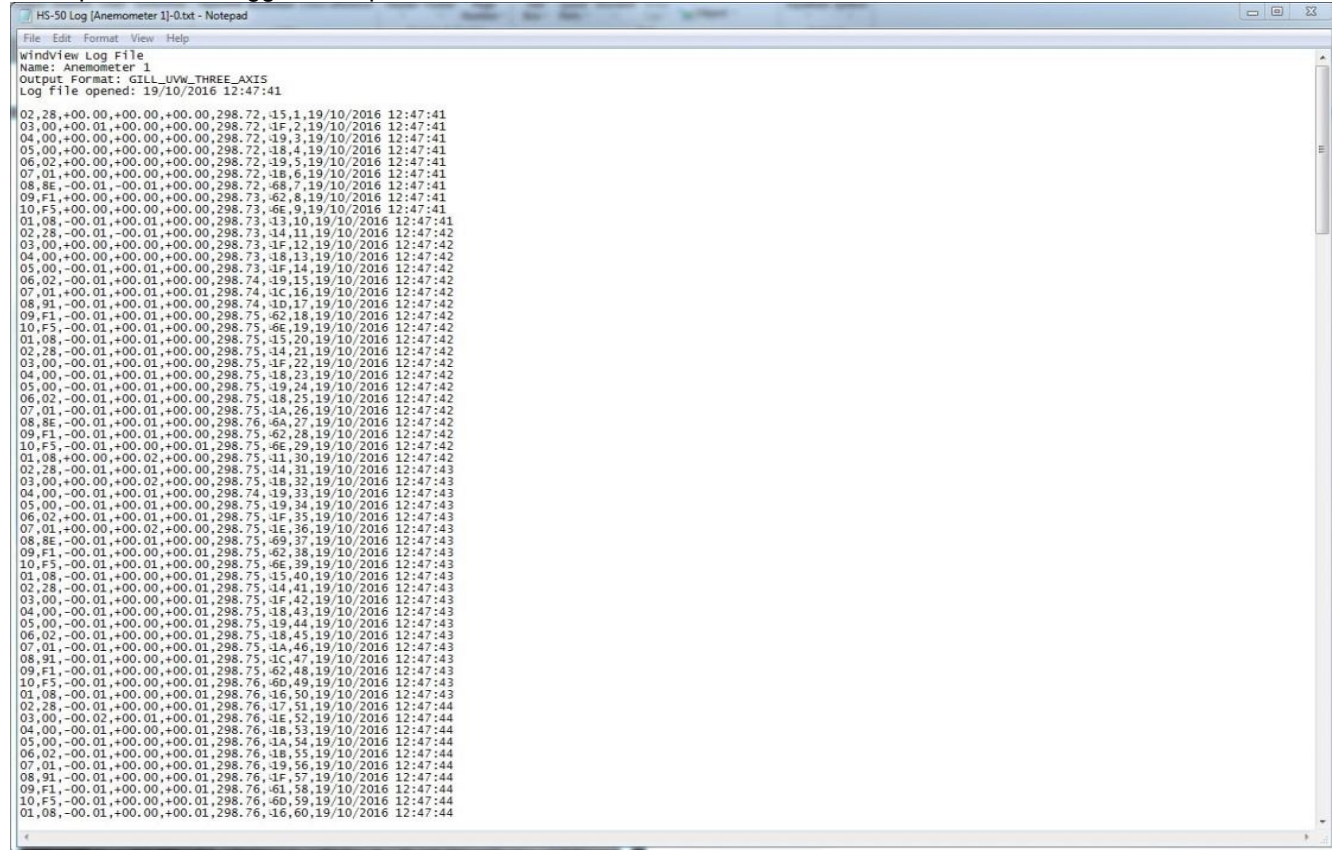


To Stop the Logging Select File/Log/Stop.





Example HS data logged Notepad.

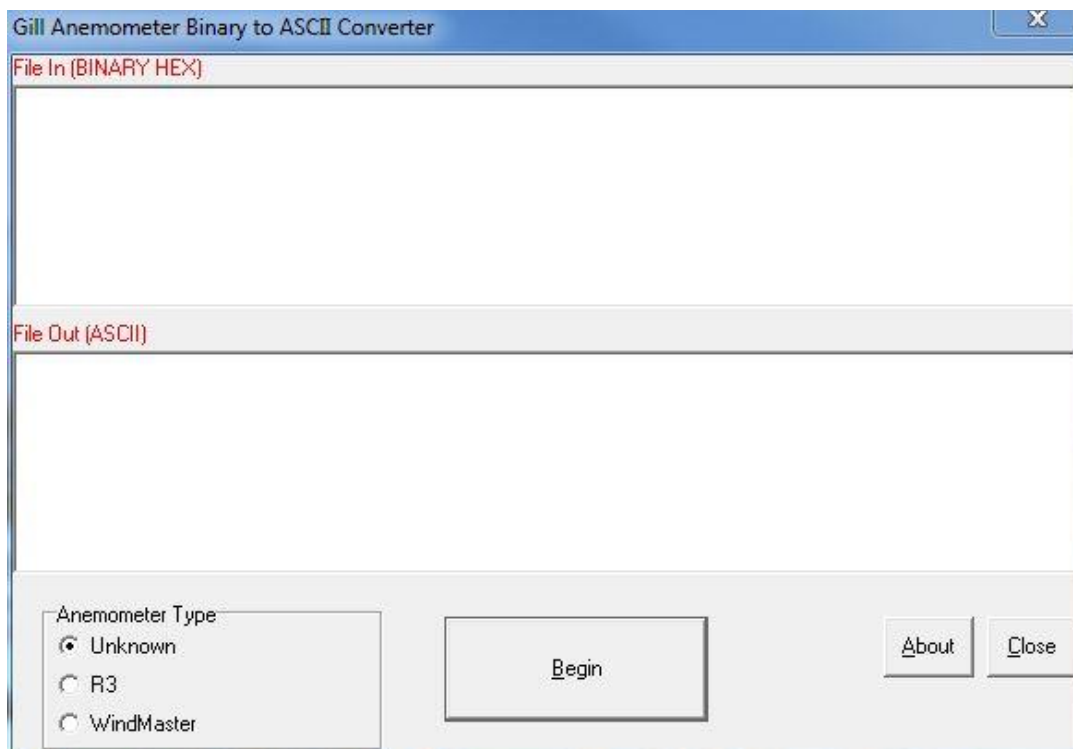


## 17 INSTRUCTIONS FOR USING WINDCONVERT BINARY TO ASCII CONVERSION UTILITY

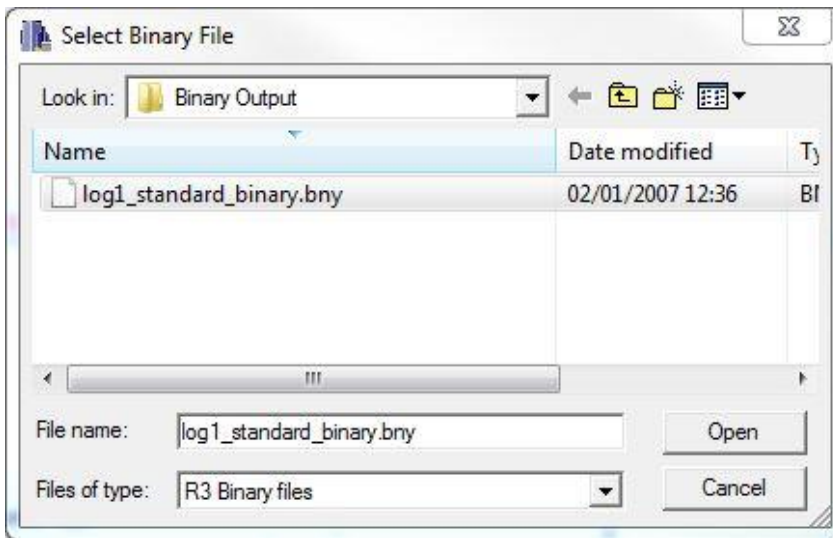
- WinConvert can be used with the Research & WindMaster range of Gill Anemometers to convert logged Binary data into a readable ASCII format.
- It is available to download from the Gill Instruments website:

<http://gillinstruments.com/main/software.html>

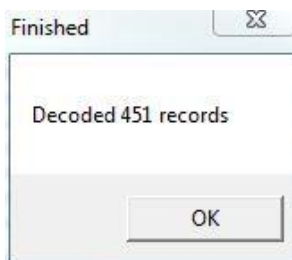
Once the program has downloaded and started, the following window will be displayed:



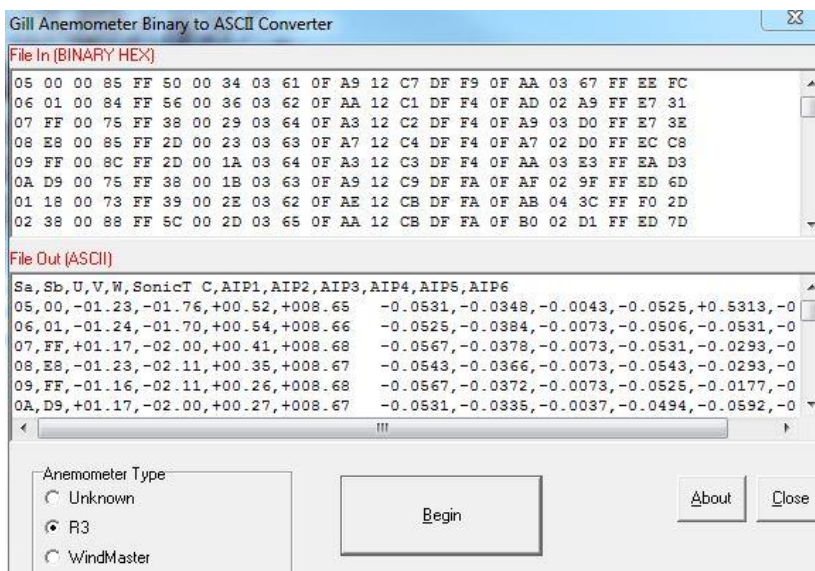
Select the type of anemometer the binary file was generated by (or leave unknown selected if the anemometer type is unknown), click begin to start the process and the following window will be displayed:



Select open and the conversion process begins, once complete the following message will be displayed:



The results will be displayed in the main program lower window (together with the field information for the string.:



To save the data, select all the text in the lower window & copy it. Then open up a notepad/word package and paste the data. The file can then be saved.

## 18 MAINTENANCE & FAULT-FINDING

### 18.1 Cleaning

If there is any build-up of deposit on the unit, it should be gently cleaned with a cloth moistened with water and soft detergent. Solvents should not be used, and care should be taken to avoid scratching any surfaces. The unit must be allowed to defrost naturally after being exposed to snow or icy conditions, do NOT attempt to remove ice or snow with a tool.

### 18.2 Servicing

There are no moving parts or user-serviceable parts requiring routine maintenance. Opening the unit or breaking the security seal will void the warranty and the calibration. In the event of failure, prior to returning the unit to your authorised Gill distributor, it is recommended that:

1. All cables and connectors are checked for continuity, bad contacts, corrosion etc.
2. A bench test is carried out as described in Section 19.1.
3. You contact your supplier for advice

### 18.3 Fault-finding

Symptom	Solution
No output	Check DC power to HS, cable and connections. Check comms settings of R3 ( <i>as detailed in Section 14</i> ) and host system match, including correct Com port. Check unit is in Continuous mode Check that in-line communication devices are wired correctly. NOTE: It is usual for Anemometer TX to be connected to converter device RX
Corrupted output	Check comms settings of HS and host system match. Try a slower baud rate. Check cable lengths and type of cable.
One way communication	Check HS and host system are both set to the same protocol (RS232 for PCI, RS422 for direct connect to HS). Check wiring is in accordance with the manual.
Failed / Incorrect WindMaster output, data invalid flag	Check that transducer path is not blocked

### 18.4 Status (error) codes

Refer to section 14.2.

### 18.5 Returning units

If the unit has to be returned, it should be carefully packed in the original packaging and returned to your authorised Gill distributor, with a full description of the fault condition.

## 19 TESTS

### 19.1 Bench test

1. Couple the HS to the host system and power supply, using a known working test cable.
2. Check that the unit is correctly configured.
3. Check for normal output data, and that the Status Code cycles through 01 to 10.
4. If the status code is 00, refer to Section 14.2 Status Fields.
5. Use an office fan or similar to check that the unit is sensing wind, turning the unit to simulate changing wind direction and to check that all three axes are functioning.
6. Note that this a quick functional test. There are no calibration adjustments. See 18.2.

## 19.2 Head Alignment Test

In ambient temperature conditions (+18°C to +26°C) and in a still air environment, it is possible to perform a check on the head alignment by using the Sonic Temperature reported by the HS as an indicator. Using a PRT as a reference, compare the PRT reported value with the value being output by the HS. These values should be within  $\pm 3^{\circ}\text{C}$  of each other within the temperature range specified above. If the Sonic Temperature reports outside of this tolerance range, the HS has potentially suffered head distortion. If this is the case the HS will need to be returned to Gill Instruments for investigation.

## 19.3 Calibration

**Note** - There are no in-use calibration adjustments; the unit is designed NOT to require re-calibration within its lifetime.

Certified calibration

The HS is Wind tunnel calibrated in accordance with ISO 16622 with traceability to national standards.

Accuracy at 12 m/s      Wind speed <1% RMS @ 12m/s      Direction < $\pm 1^{\circ}$ RMS

## 20 APPENDIX A

### Summary Of Abbreviations Used In This Manual

ASCII	American Standard Code for Information Interchange
PCIA	Power & Communications Interface with Analogue Outputs
PCI	Power & Communications Interface
SIU	Sensor Input Unit
PRT	Platinum Resistance Thermometer
RS232	Communications standard
RS422	Communications standard
SoS	Speed of Sound

**As a representative of this supplier,  
we – from Observator – distribute  
these products. Originating from  
the Netherlands, Observator has  
grown into an internationally  
oriented company with a worldwide  
distribution network.**

**For more information contact  
Observator Instruments:**

**Australia**

T: +61 3 8706 5000

E: sales.au@observator.com / service.au@observator.com

**Germany**

T: +49 (0)152 02047306 / +49 (0)152 02047308

E: contact@observator.com

**The Netherlands**

T: +31 (0)180 463411

E: sales@observator.com / service@observator.com

**Poland**

T: +48 537 209 665

E: a.miller@observator.com

**Singapore**

T: +65 68 72 08 63

E: sales@observator.sg

**United Kingdom**

T: +44 (0)783 346 4884

E: info.uk@observator.com

**Welcome to the world of Observator**

Since 1924 Observator has evolved to be a trend-setting developer and supplier in a wide variety of industries. Originating from the Netherlands, Observator has grown into an internationally

oriented company with a worldwide distribution network and offices in Australia, Germany, the Netherlands, Singapore and the United Kingdom.

[www.observator.com](http://www.observator.com)