

Mounting Brackets

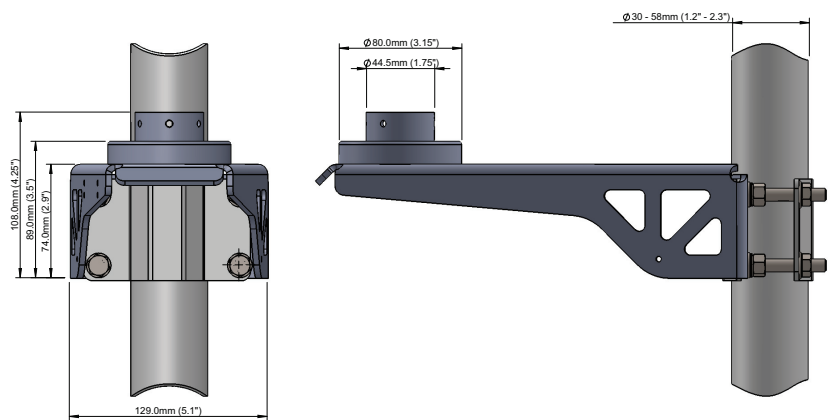
Mounting Brackets are available for WindSonic, WindObserver and MaxiMet products. All Mounting Brackets are manufactured from high grade aluminium with aluminium or stainless steel sensor mounts and can be wall or pole mounted.

Bracket Features

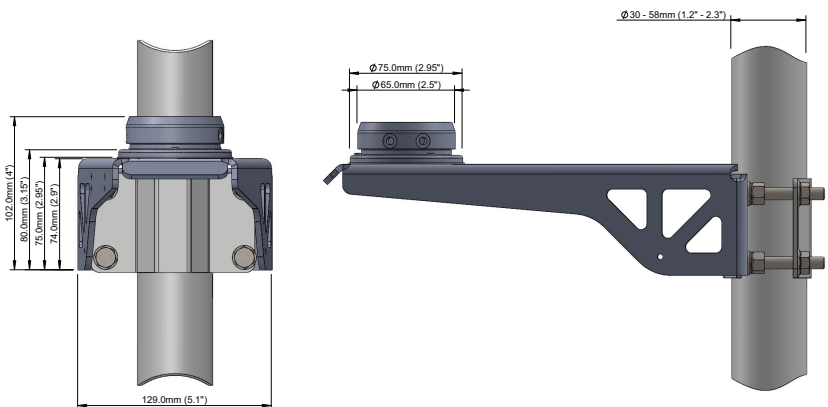
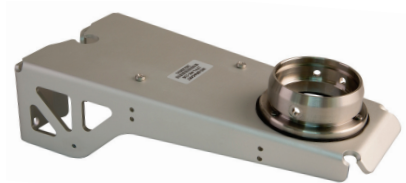
WindSonic / MaxiMet. Anodized aluminium bracket including an aluminium sensor mount all anodized to reduce corrosion. Includes stainless steel mounting bolts, multiple earth points and wall / pole mounting kit.

WindObserver. Anodized aluminium bracket with 316 grade stainless steel sensor mount with isolation gasket to reduce corrosion. Includes stainless steel mounting bolts, multiple sensor earth points and wall / pole mounting kit.

WindSonic / MaxiMet Bracket



WindObserver Bracket



BRACKET

Wind Speed Survival	90-95m/s*
Vibration	IEC60945*
Salt / Corrosion	BS EN 60068-2-52*
Pole Mount Size	Pole diameters 30 to 58 mm

*Based on MetPak bracket testing.

Specifications may be subject to change without prior notice

Gill Instruments Limited

Saltmarsh Park, 67 Gosport Street
Lymington, Hampshire SO41 9EG
United Kingdom

Tel: +44 (0) 1590 613 500
Fax: +44 (0) 1590 613 501
contact@gillinstruments.com

As a representative of this supplier, we – from Observator – distribute these products. Originating from the Netherlands, Observator has grown into an internationally oriented company with a worldwide distribution network.

For more information contact Observator Instruments:

Australia

T: +61 3 8706 5000

E: sales.au@observator.com / service.au@observator.com

Germany

T: +49 (0)152 02047306 / +49 (0)152 02047308

E: contact@observator.com

The Netherlands

T: +31 (0)180 463411

E: sales@observator.com / service@observator.com

Poland

T: +48 537 209 665

E: a.miller@observator.com

Singapore

T: +65 68 72 08 63

E: sales@observator.sg

United Kingdom

T: +44 (0)783 346 4884

E: info.uk@observator.com

Welcome to the world of Observator

Since 1924 Observator has evolved to be a trend-setting developer and supplier in a wide variety of industries. Originating from the Netherlands, Observator has grown into an internationally

oriented company with a worldwide distribution network and offices in Australia, Germany, the Netherlands, Singapore and the United Kingdom.

www.observator.com