

Key Features

- ATEX, IECEx & UKEX certification
- Low voltage or mains voltage power supplies
- Galvanic isolation
- Gill or NMEA digital output
- Averaging/gusts to WMO guidelines
- Reduce offshore maintenance costs
- 0-75m/s wind speed operation
- Over 10 years proven service worldwide
- Factory calibrated for life

The WindObserver IS system is particularly suited to offshore oil production platforms, support tankers, drilling platforms, onshore petrochemical plants and other hazardous petrochemical environments. The system provides wind speed and direction data for use in producing offshore meteorological observations in accordance with UK CAA CAP 437.

The WindObserver IS is certified as 'Intrinsically Safe' for use in the 'Hazardous Area', whilst the associated power and communications interface is located in the 'Non Hazardous Area'.

The ATEX, IECEx & UKEX certification ensures that the wind system may be deployed on a worldwide basis without the need for expensive local recertification.

The system requires no regular maintenance, beyond a visual check, eliminating in-service maintenance costs in the offshore environment where the installation of reliable low maintenance equipment is essential.

Customer selectable vector rolling average and 3 second gust in accordance with WMO - No. 8 Seventh Edition 2008 ISBN 978-92-63-10008-5.

HAZARDOUS AREA



WindObserver IS
Intrinsically safe
ultrasonic anemometer

NON-HAZARDOUS AREA

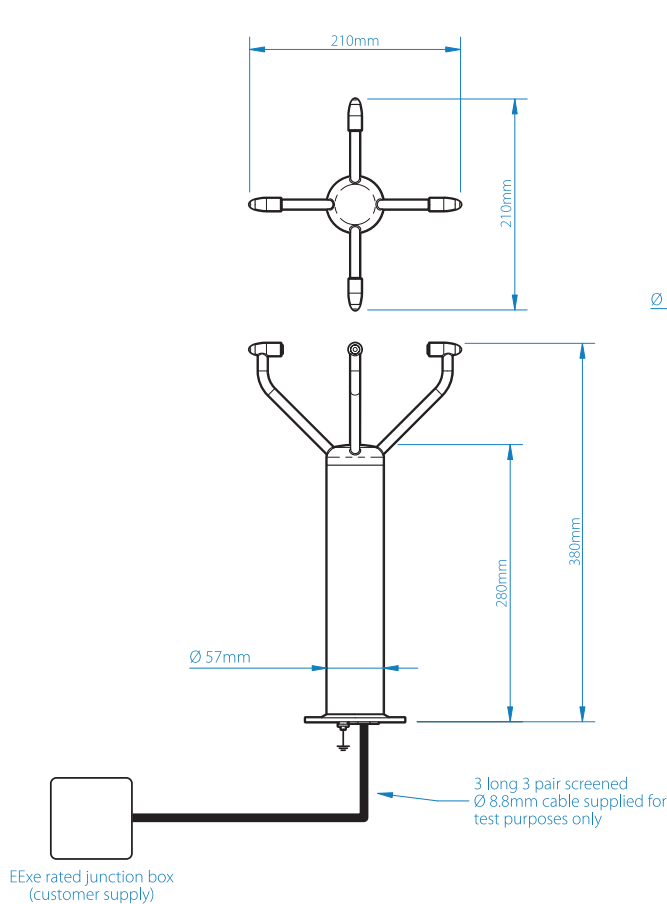


Low voltage (DC)
Power & communications
interface (LVPCI)

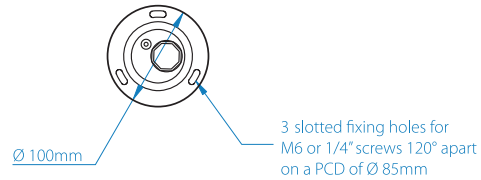
or



Mains voltage (AC)
Power & communications
interface (PCI)



WindObserver IS Ultrasonic Anemometer for use in Hazardous Areas



WIND SPEED

Range	0 - 75 m/s
Starting Threshold	0.01 m/s
Accuracy	2% at 12 m/s
Resolution	0.01 m/s

DIRECTION

Range	0 - 360°
Accuracy	± 4°
Resolution	1°
Dead Band Direction	None

MEASUREMENT

Output	1 Hz, 2 Hz or 4 Hz
Parameters	UV, Polar and NMEA
Units	m/s, knots, mph, kph, ft/min
Averaging	0 - 3600s

DIGITAL OUTPUT

Communication	RS422, full duplex to PCI or LVPCI
Baud Rates	1200, 2400, 4800, 9600, 19200
Formats	8 bit data, odd, even or no parity
Anemometer Status	Supplied as part of standard Gill message (NMEA output includes V and A codes as part of the message)

POWER REQUIREMENT

Anemometer	6V - 12VDC, 30 mA peak (from PCI or LVPCI) All circuits protected to 0.8 Joules
------------	--

MECHANICAL

External Construction	Stainless Steel 316
Weight	1.9 kg
Size	380mm x 210mm

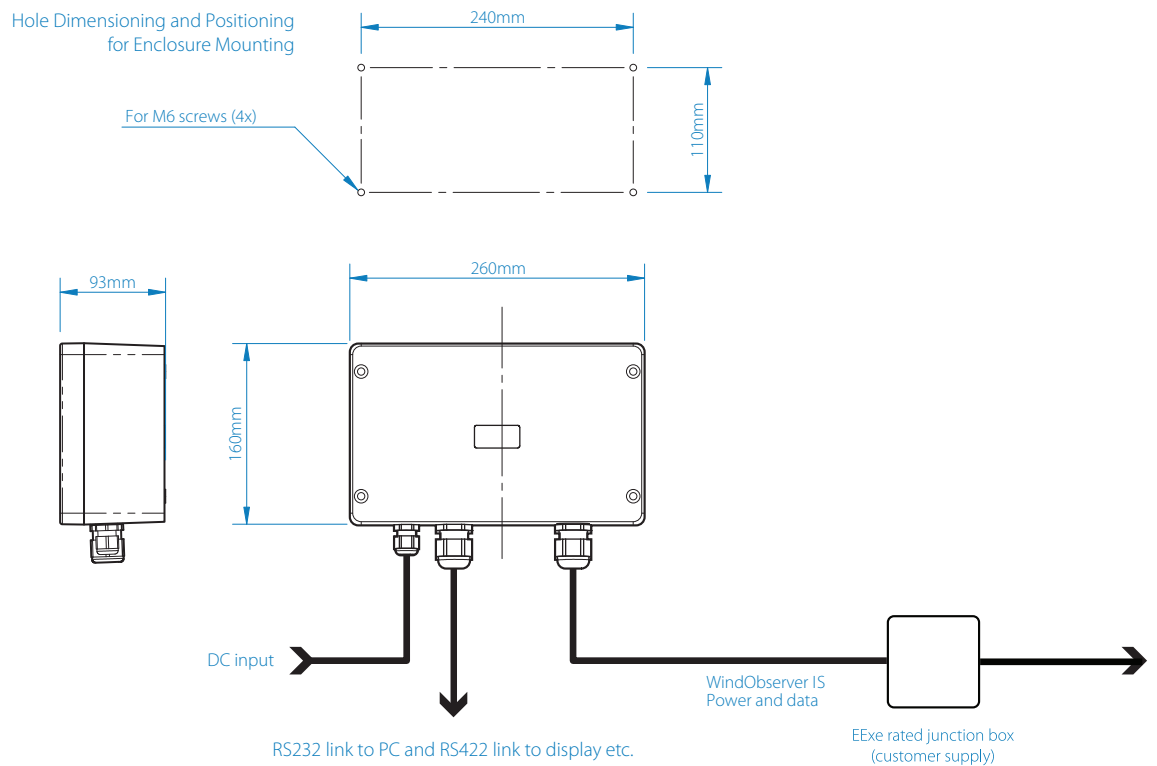
ENVIRONMENTAL

Moisture Protection	IP66 (NEMA4X)
Ambient Operating Temperature	-30°C to + 70°C
Storage Temperature	-50°C to + 75°C
Humidity	0% to 100% RH
Precipitation	300mm/hr
EMC	EN 60945:2002+AC1 (Clause 9, 10 & 11.2) EN 61326-1:2013

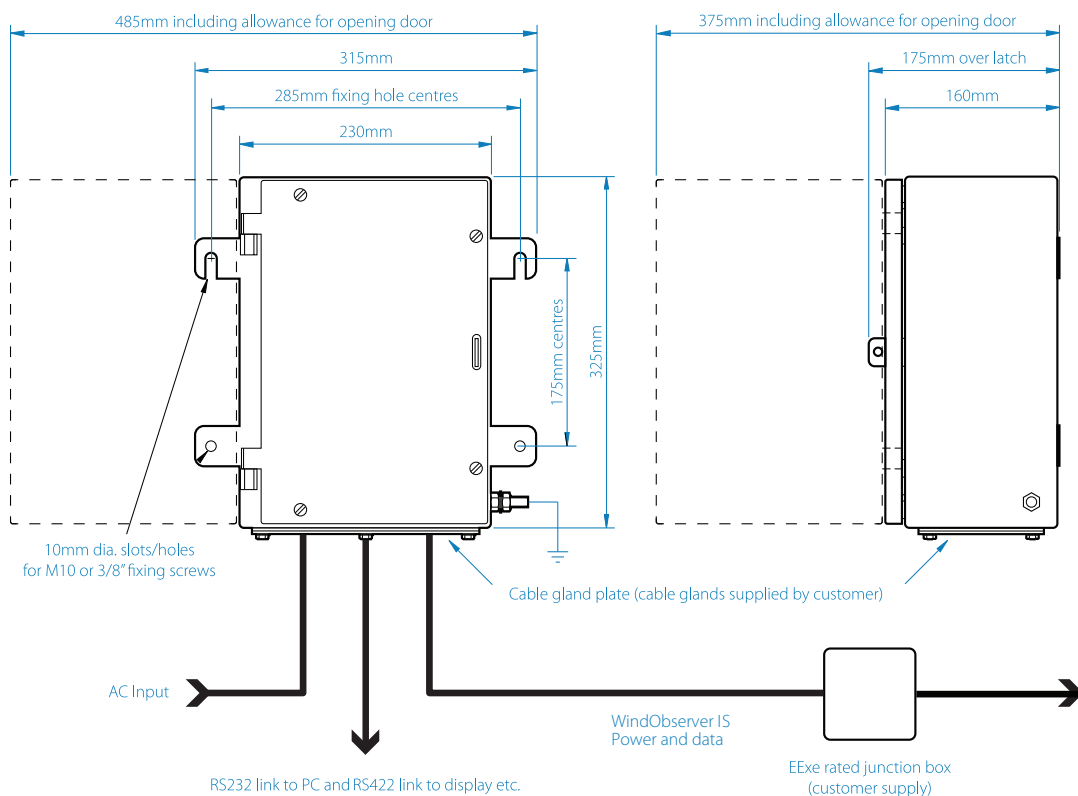
CERTIFICATIONS & APPROVALS

Approvals: Intrinsic Safety	ATEX, IECEx & UKEX certification. Certificates available to view in full on gillinstruments.com
--------------------------------	---

Low Voltage Power & Communications Interface (LVPCI) for use in Non-Hazardous areas



Mains Voltage Power & Communications Interface (PCI) for use in Non-Hazardous areas



CERTIFICATIONS & APPROVALS

LOW VOLTAGE POWER & COMMUNICATION INTERFACE	
Approvals: Intrinsic Safety	ATEX, IECEx & UKEX certification. Certificates available to view in full on gillinstruments.com

MAINS VOLTAGE POWER & COMMUNICATION INTERFACE	
Approvals : Intrinsic Safety	ATEX, IECEx & UKEX certification. Certificates available to view in full on gillinstruments.com

INPUTS AND OUTPUTS

Digital Input	RS422 (data from WindObserver IS to LVPCI)
	Data lines between the anemometer and power supply opto-isolated and protected with zener barriers
Digital Output	RS232 and RS422 (data from LVPCI)

Digital Input	RS422 (data from WindObserver IS to PCI)
	Data lines between the anemometer and power supply opto isolated and protected with zener barriers
Digital Output	RS232 and RS422 (data from PCI)

POWER

Power Requirement	DC Supply
Input Power	9V to 30V dc at 200mA max (fused 20mm, 1 A anti surge)
	Galvanic isolation between input power and WindObserver IS
	No external earth required
Output Power	10.5Vdc at 50mA to WindObserver IS (fused 100mA)

Power Requirement	AC Supply
Input Power	100Vac - 120Vac, 10VA for the 115V switch position 200Vac - 250Vac, 10VA for the 230V switch position
	Galvanic isolation between input power and WindObserver IS supply
	Power Supply case must be externally earthed
Output Power	10.5Vdc at 50mA to WindObserver IS (fused 100mA)

MECHANICAL

External construction	Fibox Euronord Polyester
Size	260 x 160 x 93mm
Weight	2.4 Kg
	Refer to additional information drawing on data sheet or manual

External construction	Stainless Steel 316
Size	230 x 325 x 175mm
Weight	9.5 Kg
	Refer to additional information drawing on data sheet or manual

ENVIRONMENTAL

Moisture protection	IP54
Ambient Operating Temperature	-30°C to +60°C
Storage Temperature	-50°C to +75°C
Humidity	5% to 90% RH
EMC	EN 61326-2-1:2013, EN 61204-3:2000, EN 60945:2002 clause 9 and 10
Standards	Performance traceable to UK national standards

Moisture protection	IP65
Ambient Operating Temperature	-30°C to +60°C
Storage Temperature	-50°C to +75°C
Humidity	5% to 90% RH
EMC	EN61000-6-1:2007, EN61000-6-3:2007/A1:2011
Standards	Performance traceable to UK national standards



Gill Instruments Limited

Saltmarsh Park, 67 Gosport Street
Lymington, Hampshire SO41 9EG
United Kingdom

Tel: +44 (0) 1590 613 500

contact@gillinstruments.com

gillinstruments.com

1954 - 004 Iss 10

© Gill Instruments 2022

Gill Instruments Limited, Reg No. 2281574
Registered Office: Towngate House, 2-8 Parkstone Road, Poole. BH15 2PW

As a representative of this supplier, we – from Observator – distribute these products. Originating from the Netherlands, Observator has grown into an internationally oriented company with a worldwide distribution network.

For more information contact Observator Instruments:

Australia

T: +61 3 8706 5000

E: sales.au@observator.com / service.au@observator.com

Germany

T: +49 (0)152 02047306 / +49 (0)152 02047308

E: contact@observator.com

The Netherlands

T: +31 (0)180 463411

E: sales@observator.com / service@observator.com

Poland

T: +48 537 209 665

E: a.miller@observator.com

Singapore

T: +65 68 72 08 63

E: sales@observator.sg

United Kingdom

T: +44 (0)783 346 4884

E: info.uk@observator.com

Welcome to the world of Observator

Since 1924 Observator has evolved to be a trend-setting developer and supplier in a wide variety of industries. Originating from the Netherlands, Observator has grown into an internationally

oriented company with a worldwide distribution network and offices in Australia, Germany, the Netherlands, Singapore and the United Kingdom.

www.observator.com