

GMX301 Compact Weather Station

High quality, easy-to-use, integrated weather station

MaxiMet compact weather stations are designed to be simple to install, use and maintain. In addition to providing measured parameters, the products derive additional parameters and data is output as a single string and available on a range of communications protocols.

MaxiMet weather stations benefit from the same technology used in Gill's scientific product range, ensuring measurement accuracy, low maintenance and continuous status reporting.

The MaxiMet family includes a range of sensor configurations allowing customers to select the model most appropriate to their needs.

Typical applications

- Control systems including smart buildings, agriculture and industry.
- Solar farms.
- Road and rail.
- Ports and harbours.
- Reporting systems for transport and safety.
- Low power/solar powered deployments and IoT applications.

MaxiMet GMX301 key features

- Four measured parameters:
Temperature, humidity, pressure, solar radiation.
- Multiple additional derived parameters based on combining measured parameters, such as dew point, pressure at sea level, heat index and sunshine hours.
- High quality, accurate, solid state sensors.

Benefits

- High quality measurement data due to careful sensor selection and extensive design testing and verification.
- Easy to set-up and integrate using comprehensive software to select the reported and derived parameters and measurement units required.
- Easy to install and long operational life, due to a compact, robust design and the selection of low maintenance sensors.
- Suitable for use with battery or solar systems in low power mode.



MaxiMet GMX301 measures 4 parameters including solar radiation.



MaxiMet compact weather stations are integrated into systems monitoring gas and particulate concentrations in the air.

GMX301 Compact Weather Station

High quality, easy-to-use, integrated weather station

AIR TEMPERATURE	
Range	-35°C to +70°C
Accuracy	±0.3°C
Resolution	0.1°C
Units of measurement	°C, °F, K

RELATIVE HUMIDITY	
Range	0-100% RH
Accuracy	typically ±2% RH across full range
Resolution	1% RH
Units of measurement	% RH, g/m ³

BAROMETRIC PRESSURE	
Range	300-1250 hPa
Accuracy 900-1100 hPa, 25-40°C	Absolute (typically) ±0.4 hPa Relative (typically) ±0.08 hPa
Resolution	0.1 hPa
Units of measurement	hPa, mbar, mmHg, inHg

SOLAR RADIATION	
Wavelength sensitivity	300 - 3000 nm
Output range	0-1600 W/m ²
Resolution	1 W/m ²
DIN standard	ISO 9060 Second Class
Units of measurement	W/m ²

WARRANTY	
Warranty	24 months

OUTPUTS	
Digital comms modes	RS232, RS422 RS485, SDI-12, NMEA 0183, MODBUS
Protocols	ASCII, SDI-12 v1.3, MODBUS (RTU and ASCII)
Data outputs rates	1/s, 1/min, 1/hour, or polled

POWER SUPPLY	
Input voltage	5-30 VDC
Current spec @ 12VDC	6 mA continuous mode (std unit) +10 mA with GPS option 0.7 mA eco-power mode

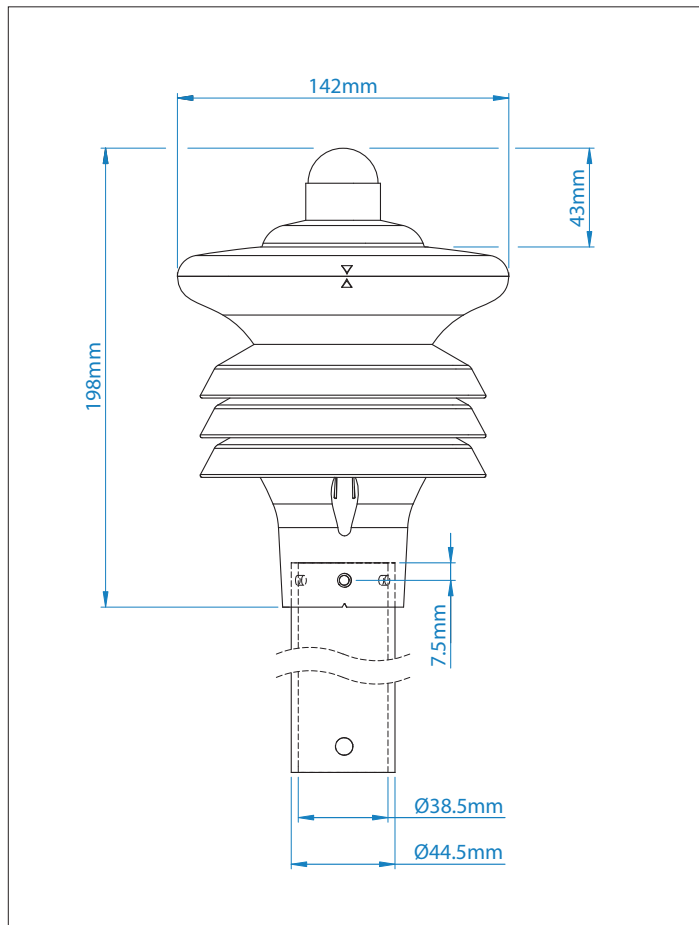
MECHANICAL	
Construction	UV stabilized thermoplastic
Fittings	Fit to 30mm to 58mm pole or mast
Weight	0.6 kg
Connector type	9-way clipper connector

ENVIRONMENTAL	
Protection class	IP66
Operating temp.	-35°C to +70°C
Storage temp	-40°C to +70°C

STANDARD EQUIPMENT (supplied with product)	
MaxiMet product	
Mating connector	
MetSet software*, to set-up and configure MaxiMet (comms mode, measurement units, reporting intervals, derived parameters, etc.)	
MetView software*, to view reported parameters	
MaxiMet User Manual*	
* downloadable from Gill Instruments website	

GMX301 Compact Weather Station

High quality, easy-to-use, integrated weather station



EXAMPLE DERIVED PARAMETERS FOR MAXIMET RANGE

A full list of derived parameters is available in the User Manual which can be downloaded from gillinstruments.com

Average wind speed	Sunrise
Average wind direction	Solar noon
Corrected wind speed	Twilight
Corrected wind direction	Sunset
Gust wind speed & direction	Position of sun
Dew point	Angle of tilt
Wind chill	Pressure at sea level
Absolute humidity	Heat index

ACCESSORIES

A list of the accessories available to support MaxiMet is provided on the MaxiMet Accessories Datasheet, which can be downloaded from gillinstruments.com

MaxiMet®
Compact Weather Stations
Reliable, high quality compact, integrated weather stations

MaxiMet weather stations are supported by a range of accessories. These accessories can be used to connect, install and maintain MaxiMet. The accessories have been designed or selected to ensure the long-term performance of MaxiMet products.

Accessories	Part Number
1. MaxiMet weather station cable (see also MaxiMet user manual)	145110001
2. MaxiMet weather station cable (see also MaxiMet user manual)	145110002
3. MaxiMet weather station cable (see also MaxiMet user manual)	145110003
4. MaxiMet weather station cable (see also MaxiMet user manual)	145110004
5. MaxiMet weather station cable (see also MaxiMet user manual)	145110005
6. MaxiMet weather station cable (see also MaxiMet user manual)	145110006
7. MaxiMet weather station cable (see also MaxiMet user manual)	145110007
8. MaxiMet weather station cable (see also MaxiMet user manual)	145110008
9. MaxiMet weather station cable (see also MaxiMet user manual)	145110009
10. MaxiMet weather station cable (see also MaxiMet user manual)	145110010
11. MaxiMet weather station cable (see also MaxiMet user manual)	145110011
12. MaxiMet weather station cable (see also MaxiMet user manual)	145110012
13. MaxiMet weather station cable (see also MaxiMet user manual)	145110013
14. MaxiMet weather station cable (see also MaxiMet user manual)	145110014
15. MaxiMet weather station cable (see also MaxiMet user manual)	145110015
16. MaxiMet weather station cable (see also MaxiMet user manual)	145110016
17. MaxiMet weather station cable (see also MaxiMet user manual)	145110017
18. MaxiMet weather station cable (see also MaxiMet user manual)	145110018
19. MaxiMet weather station cable (see also MaxiMet user manual)	145110019
20. MaxiMet weather station cable (see also MaxiMet user manual)	145110020
21. MaxiMet weather station cable (see also MaxiMet user manual)	145110021
22. MaxiMet weather station cable (see also MaxiMet user manual)	145110022
23. MaxiMet weather station cable (see also MaxiMet user manual)	145110023
24. MaxiMet weather station cable (see also MaxiMet user manual)	145110024
25. MaxiMet weather station cable (see also MaxiMet user manual)	145110025
26. MaxiMet weather station cable (see also MaxiMet user manual)	145110026
27. MaxiMet weather station cable (see also MaxiMet user manual)	145110027
28. MaxiMet weather station cable (see also MaxiMet user manual)	145110028
29. MaxiMet weather station cable (see also MaxiMet user manual)	145110029
30. MaxiMet weather station cable (see also MaxiMet user manual)	145110030

Accessory Descriptions

- Connector (145110001)**
An optional connector is available if required. The connector is compatible with all MaxiMet models and is supplied with pins.
- Cables for operational use**
The full cable can be used to connect MaxiMet to power and communication. The cable can be supplied as a 5m cable with pins fitted (145110001) or by meter (145110002).
- Cable for setup configuration (145110003)**
The cable can be used to connect a MaxiMet to a USB port on a computer. Using this method, the setup of the MaxiMet can be updated to suit a particular requirement. The cable is 5m long and supplied with a MaxiMet connector on one end and a USB connector on the other end.

gillinstruments.com

OTHER MAXIMET MODELS						
	Wind	Temperature, humidity, pressure	Rain	Solar	Compass, GPS	Low power heating
GMX200	Y				Y, as option	
GMX240	Y		Integrated optical rain sensor		Y, as option	
GMX300		Y				
GMX400		Y	Integrated optical rain sensor			
GMX500	Y	Y			Y, as option	Y, as option
GMX501	Y	Y		Y	Y, as option	Y, as option
GMX550	Y	Y	Tipping bucket connector		Y, as option	Y, as option
GMX551	Y	Y	Tipping bucket connector	Y	Y, as option	Y, as option
GMX560	Y	Y			Y, as option	Y, as option
GMX600	Y	Y	Integrated optical rain sensor		Y, as option	Y, as option

For more information about MaxiMet®, please contact Gill Instruments.

Designed and manufactured in the UK by Gill Instruments Limited.

gillinstruments.com

1957-006 Issue 8
© 2024 Gill Instruments Limited

**As a representative of this supplier,
we – from Observator – distribute
these products. Originating from
the Netherlands, Observator has
grown into an internationally
oriented company with a worldwide
distribution network.**

**For more information contact
Observator Instruments:**

Australia

T: +61 3 8706 5000

E: sales.au@observator.com / service.au@observator.com

Germany

T: +49 (0)152 02047306 / +49 (0)152 02047308

E: contact@observator.com

The Netherlands

T: +31 (0)180 463411

E: sales@observator.com / service@observator.com

Poland

T: +48 537 209 665

E: a.miller@observator.com

Singapore

T: +65 68 72 08 63

E: sales@observator.sg

United Kingdom

T: +44 (0)783 346 4884

E: info.uk@observator.com

Welcome to the world of Observator

Since 1924 Observator has evolved to be a trend-setting developer and supplier in a wide variety of industries. Originating from the Netherlands, Observator has grown into an internationally

oriented company with a worldwide distribution network and offices in Australia, Germany, the Netherlands, Singapore and the United Kingdom.

www.observator.com